

EXCEPT AS OTHERWISE PROVIDED BY CONTRACT, THIS DRAWING AND SPECIFICATIONS SHALL NOT BE REPRODUCED, COPIED OR USED AS THE BASIS FOR MANUFACTURE OR SALE OF MATTER DEPICTED HEREIN WITHOUT THE EXPRESSED WRITTEN PERMISSION OF THE CLAUDE LAVAL CORPORATION, OR ITS ASSIGNEES.

NOTES:

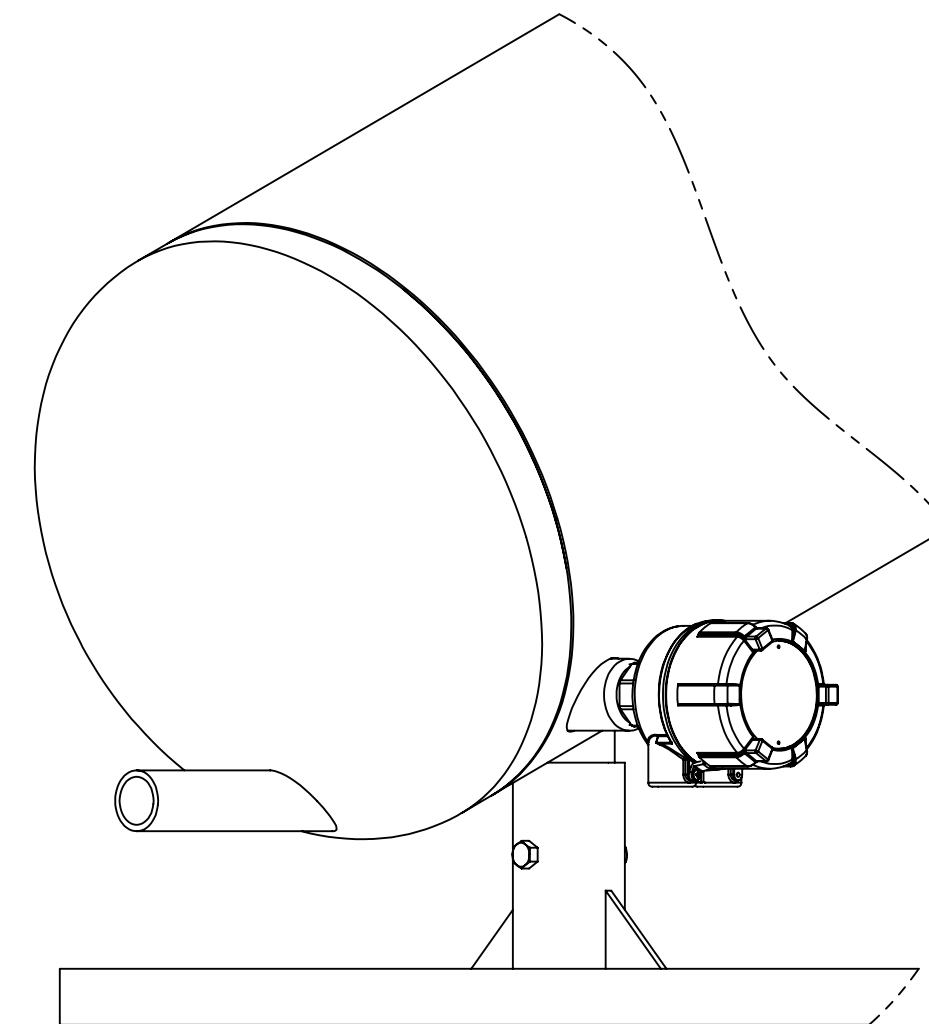
1. INLET & OUTLET FLANGES ARE 6" (150 mm) 10K FF PER JIS B2220 REQUIRING 8X M20 BOLTS (BOLTS AND GASKETS NOT INCLUDED).
2. MAXIMUM PRESSURE: 14 bar (203 PSI).
3. MAXIMUM TEMPERATURE: 110°C (230°F).
4. PRESSURE LOSS: .34-1.24 bar AT RATED FLOW.
5. RATED FLOW: 127.2-233.9 m³/hr.
6. APPROXIMATE DRY WEIGHT: 609 kg.
7. FINISH: LAKOS BLUE (EXTERIOR ONLY).

THIS DRAWING HAS BEEN GENERATED AND IS MAINTAINED BY A CAD SYSTEM. CHANGES SHALL ONLY BE INCORPORATED AS DIRECTED BY AN APPROVED ENGINEERING CHANGE ORDER (ECO). PAPER COPIES ARE UNCONTROLLED.

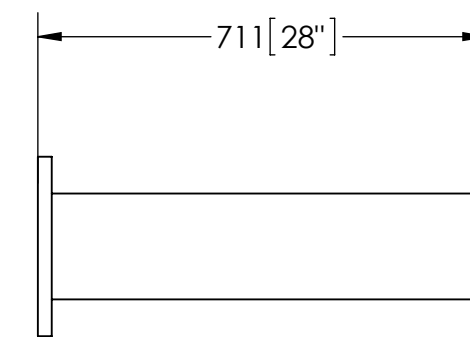
REVISIONS				
ECN	REV.	DESCRIPTION	DATE	APPROVED

SUBMITTAL DRAWING

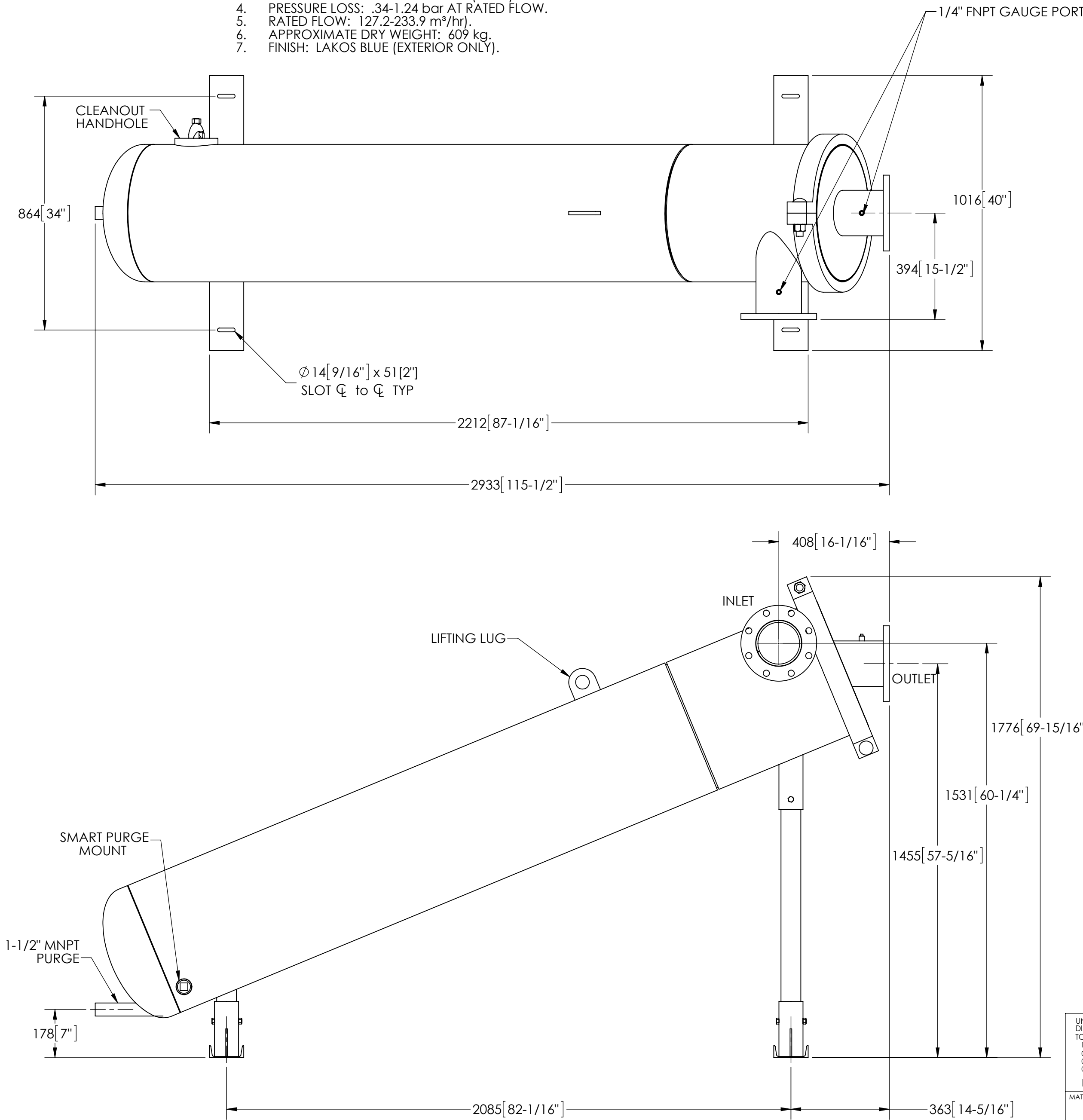
This drawing is submitted for spatial consideration only. Do not pre-plumb to these dimensions.



OPTIONAL SMART PURGE
UNIT SHOWN WITH OPTIONAL SMART PURGE SENSOR ASSEMBLY INSTALLED (ORDER SEPARATELY)



FLANGED SPOOL
MODEL FS-06/JIS (AVAILABLE SEPARATELY)
REQUIRED FOR REMOVAL OF TOP ASSEMBLY



UNLESS OTHERWISE SPECIFIED:
DIMENSIONS ARE IN: mm (INCHES)
TOLERANCES ARE:
DECIMALS ANGLES
0 ± .6 ± 1/4°
0.0 ± 0.5
0.00 ± 0.05
DO NOT SCALE DRAWING

ENGINEERED FOR: JIS FLANGES	
APPROVALS	DATE
DRAWN Cag	10/3/14
ENGR -	-
MFG -	-
WORK ORDER	QTY.

LAKOS CLAUDE LAVAL CORP.
FRESNO, CALIFORNIA 93727
WWW.LAKOS.COM

TITLE
eJPX-0560-L/JIS, SEPARATOR
0560 eJPX LOW PRO JIS FLG, CARBON STEEL

SIZE C	MODEL NO.	DWG NO. 137071-JIS	REV. 01
SCALE 1:12	EST. WT. 1343 lb	SHEET 1 OF 1	

DWG NO. 137071-JIS
SHEET 1
REV. 01