

EXCEPT AS OTHERWISE PROVIDED BY CONTRACT, THIS DRAWING AND SPECIFICATIONS SHALL NOT BE REPRODUCED, COPIED OR USED AS THE BASIS FOR MANUFACTURE OR SALE OF MATTER DEPICTED HEREIN WITHOUT THE EXPRESSED WRITTEN PERMISSION OF THE CLAUDE LAVAL CORPORATION, OR ITS ASSIGNEES.

NOTES:

1. INLET IS 8" PIPE (125# ANSI FLANGED).
2. OUTLET IS 6" PIPE (GROOVED).
3. PURGE OUTLET IS 1-1/2" PIPE.
4. MAXIMUM PRESSURE: 100 psi (6.9 bar).
5. MAXIMUM TEMPERATURE: 100°F (37.8°C).
6. SPECIFIED FLOWRATE OF 825 gpm (187 m³/hr).
7. FINISH: AS ASSEMBLED.
8. POWER REQUIREMENT: 460V, 3PH, 60Hz.
9. NEMA 4X MOTOR STARTER ENCLOSURE WITH SAFETY DISCONNECT AND H.O.A. SWITCH.
10. APPROXIMATE DRY WEIGHT: 2535 lbs (1150 kg).
11. INLET/OUTLET VALVE KIT, MODEL TCV-0825-PLUS RECOMMENDED.
12. MINIMUM PIPE FROM TOWER BASIN TO TP SYSTEM IS 8" PIPE.
13. FLOODED SUCTION REQUIRED.
14. MAXIMUM BASIN SIZE 725 sq ft.

COMPONENT LIST:

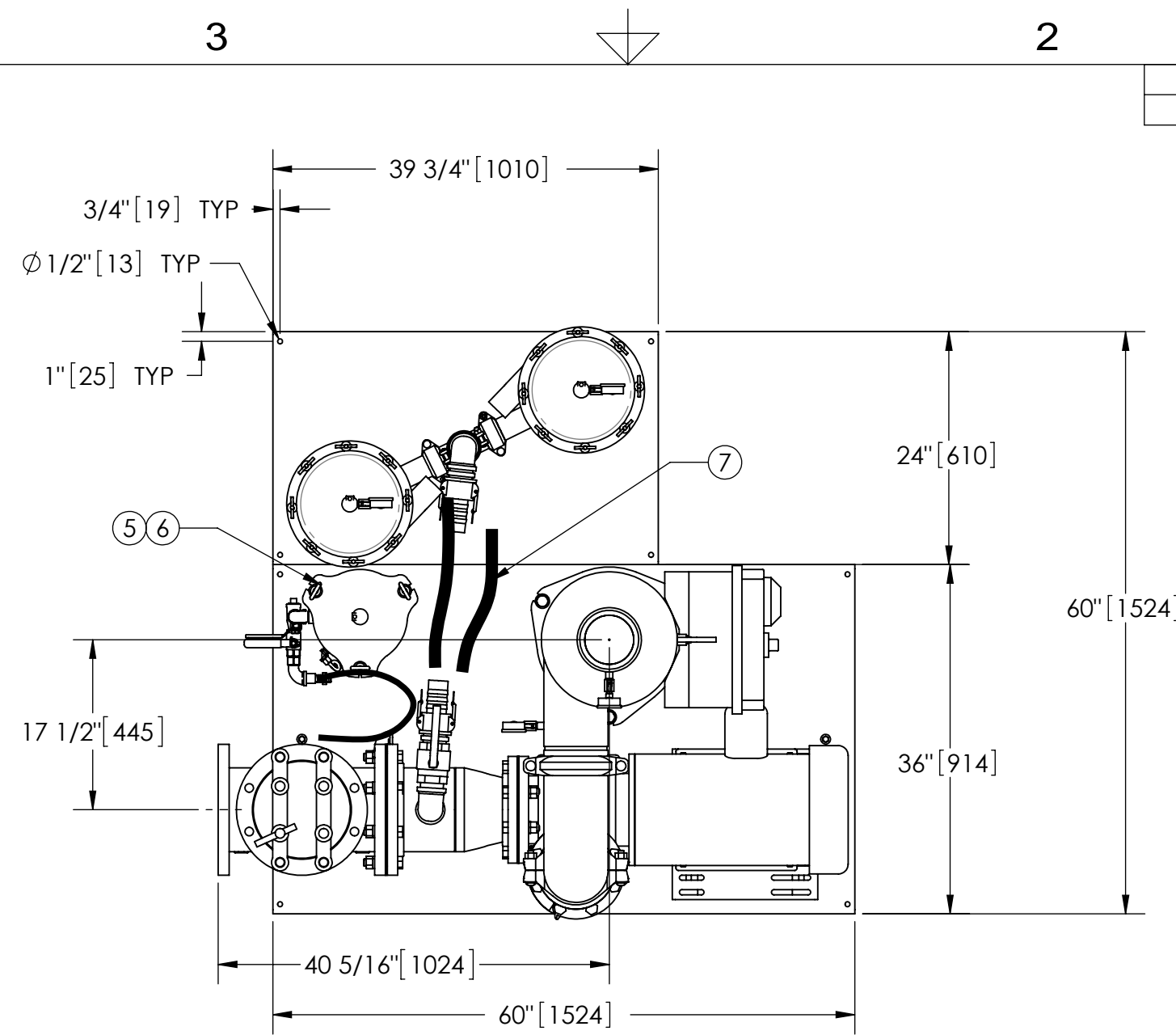
- ① ELECTRICAL CONTROL BOX 460V 60Hz W/115V TRANSFORMER.
- ② SEPARATOR: HTH-0450-TC.
- ③ PUMP: 30 HP CENTRIFUGAL, 3500 rpm, 460V, 60Hz.
- ④ INLET/OUTLET PRESSURE GAUGES: 0-100 psi, GLYCERIN-FILLED.
- ⑤ PURGE EQUIPMENT: SRV-816.
- ⑥ DIFFERENTIAL PRESSURE INDICATOR: (AVAILABLE WITH DRY DRY CONTACT-MODEL DHE-15-S. ORDER SEPARATELY).
- ⑦ HOSE ATTACHED IN FIELD WITH QUICK DISCONNECT COUPLINGS.
- ⑧ 2X 316SS, .35 MICRON FILTERS @ 100 gpm TOTAL.
- ⑨ BASKET STRAINER.

REVISION HISTORY				
ZONE	REV	DESCRIPTION	DATE	APPROVED

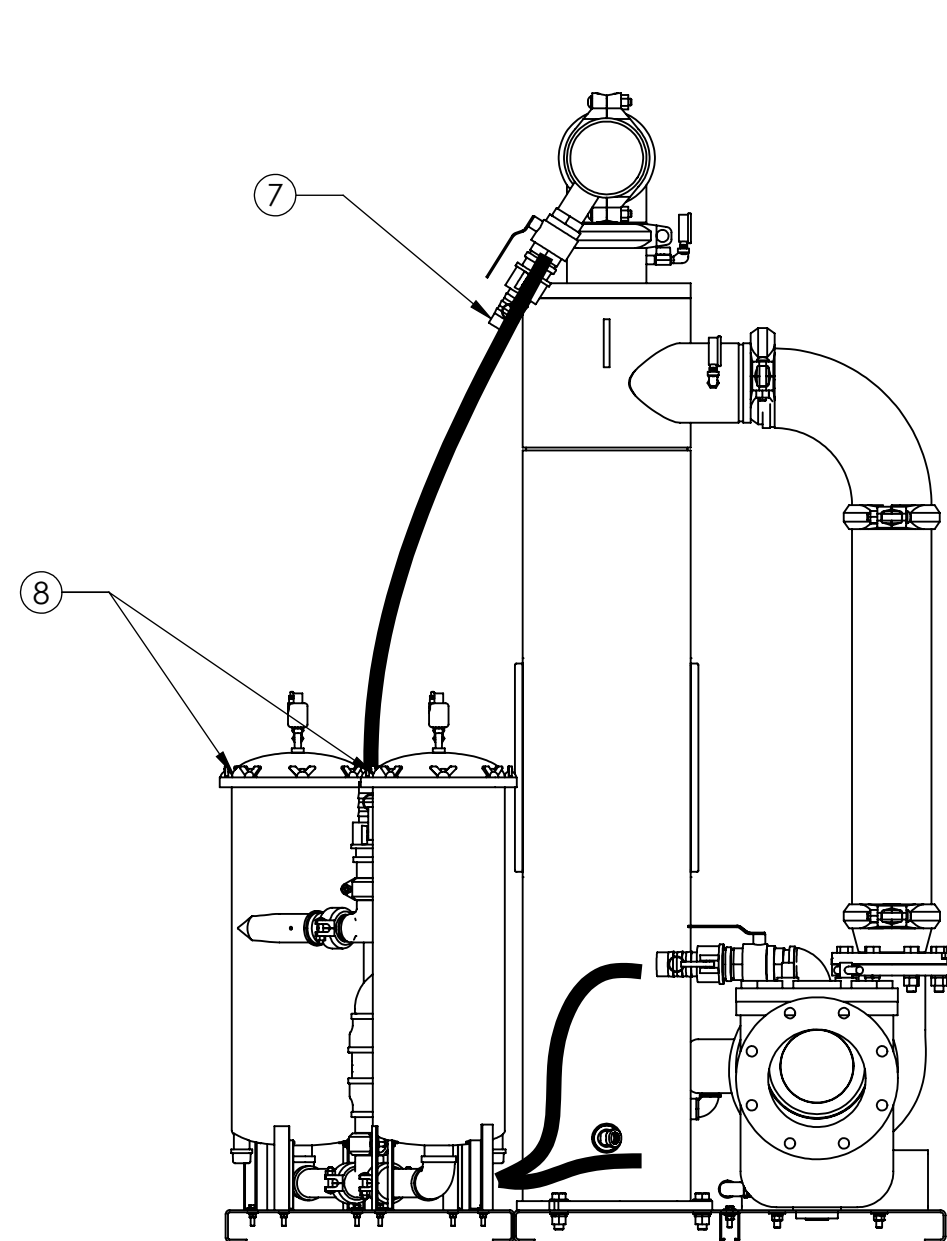
THIS DRAWING HAS BEEN GENERATED AND IS MAINTAINED BY A CAD SYSTEM. CHANGES SHALL ONLY BE INCORPORATED AS DIRECTED BY AN APPROVED ENGINEERING CHANGE ORDER (ECO). PAPER COPIES ARE UNCONTROLLED.

SUBMITTAL DRAWING

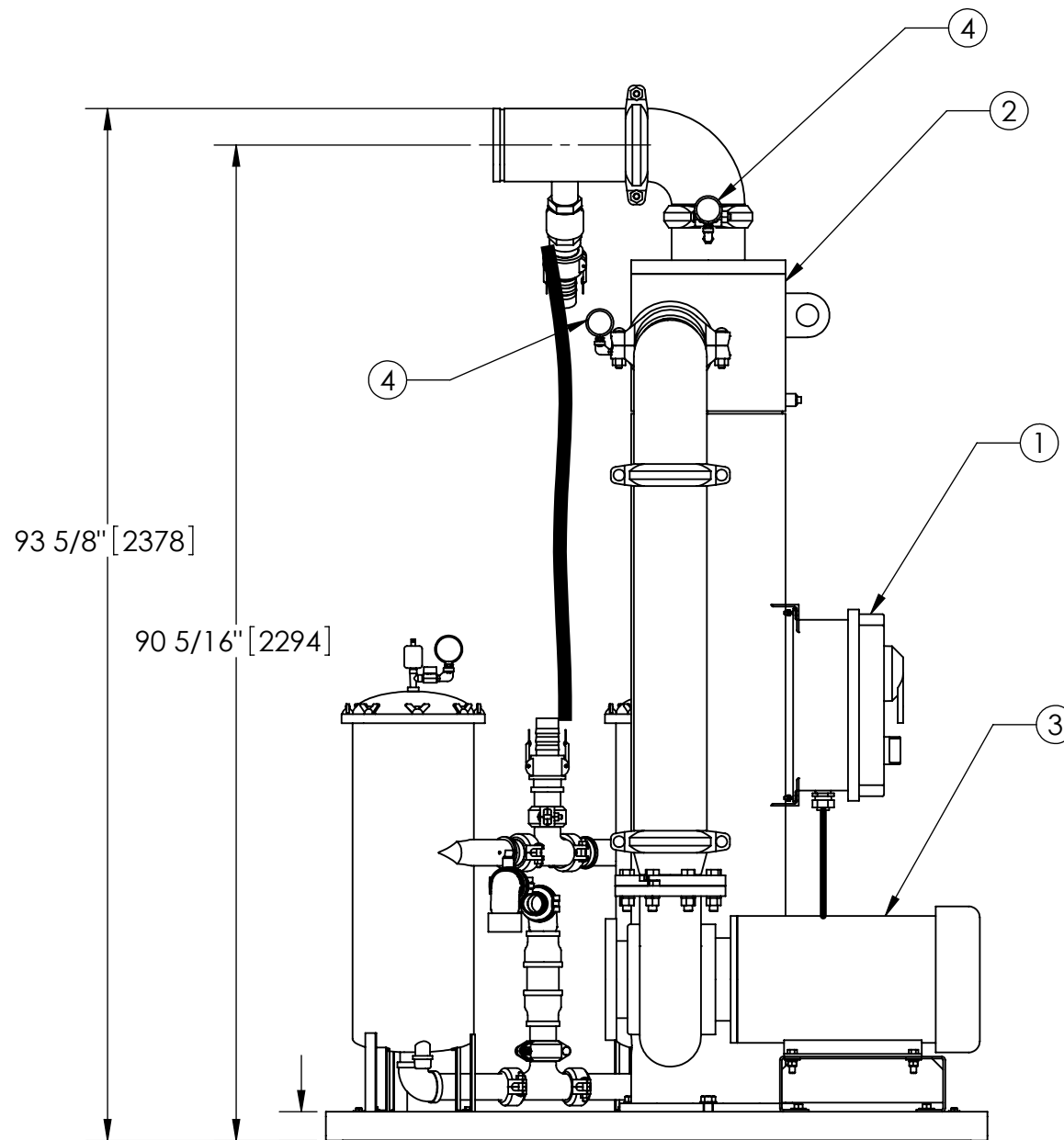
This drawing is submitted for spatial consideration only. Do not pre-plumb to these dimensions.



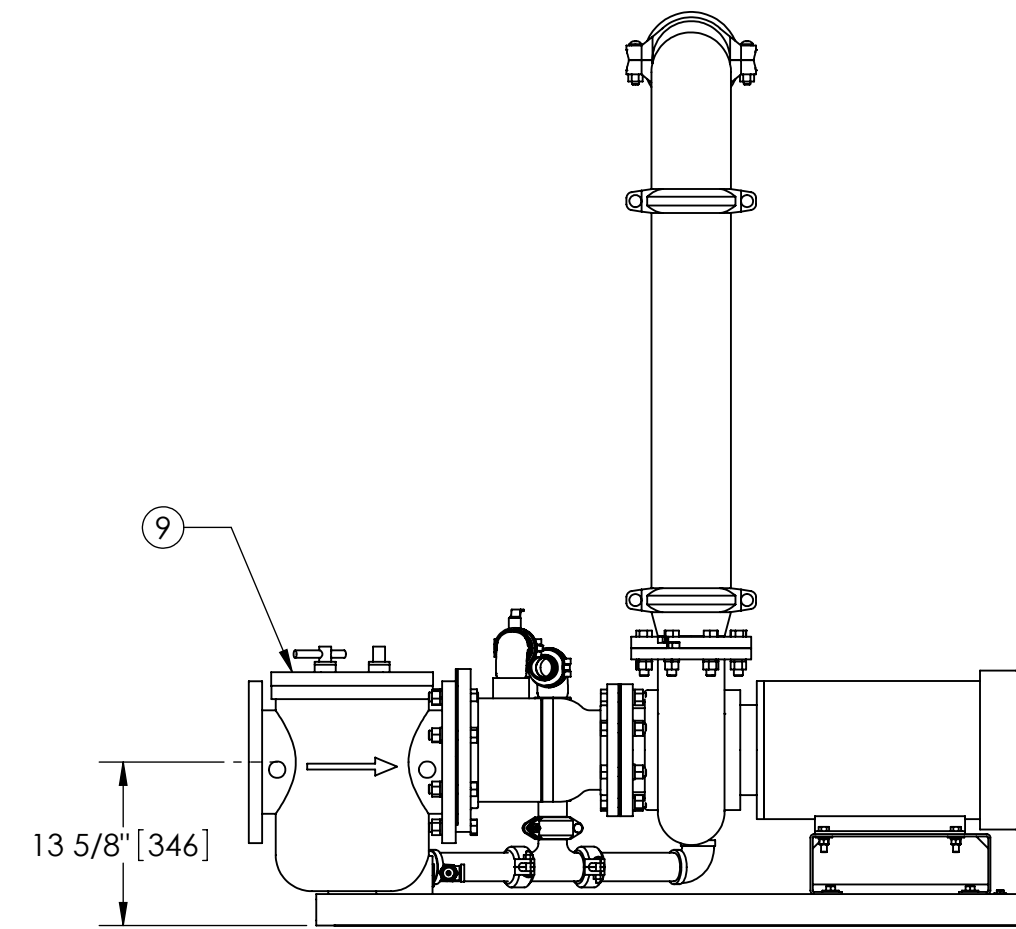
TOP VIEW



SIDE VIEW W/O SRV



FRONT VIEW W/O STRAINER/SRV



FRONT VIEW PUMP/SPOOL/STRAINER

UNLESS OTHERWISE SPECIFIED: DIMENSIONS ARE IN: INCHES [mm] TOLERANCES ARE: FRACTIONS DECIMALS ANGLES ± 1/2" .XX ± .01 ± 1/4" XXX ± .005 XXXX ± .0005		ENGINEERED FOR: STANDARD		CLAUDE LAVAL CORP. FRESNO, CALIFORNIA 93727 WWW.LAKOS.COM		LAVAL UNDERGROUND SURVEYS	
DO NOT SCALE DRAWING	APPROVALS	DATE	TITLE		SIZE		REV.
MATERIAL PER LAKOS SPEC	DRAWN DLW	2/11/05	TPI-0825-SRV, TCI SYSTEM .35 MICRON, SWEEPER HTH-0450, 460V 60HZ PLUS		MODEL NO.		-
FINISH AS ASSEMBLED	ENGR ADJ	2/11/05	DWG NO.		123487		-
	MFG -	-	SCALE		1:16		EST. WT. SHEET 1 OF 1
	WORK ORDER	QTY.					

DWG NO. 123487 SH 1 REV -