

EXCEPT AS OTHERWISE PROVIDED BY CONTRACT, THIS DRAWING AND SPECIFICATIONS SHALL NOT BE REPRODUCED, COPIED OR USED AS THE BASIS FOR MANUFACTURE OR SALE OF MATTER DEPICTED HEREIN WITHOUT THE EXPRESSED WRITTEN PERMISSION OF THE CLAUDE LAVAL CORPORATION, OR ITS ASSIGNEES.

| REVISIONS | | | | |
|-----------|------|-----------------------|---------|----------|
| ECN | REV. | DESCRIPTION | DATE | APPROVED |
| | 01 | RELEASE FOR SUBMITTAL | 11/6/14 | TRR |

D

C

B

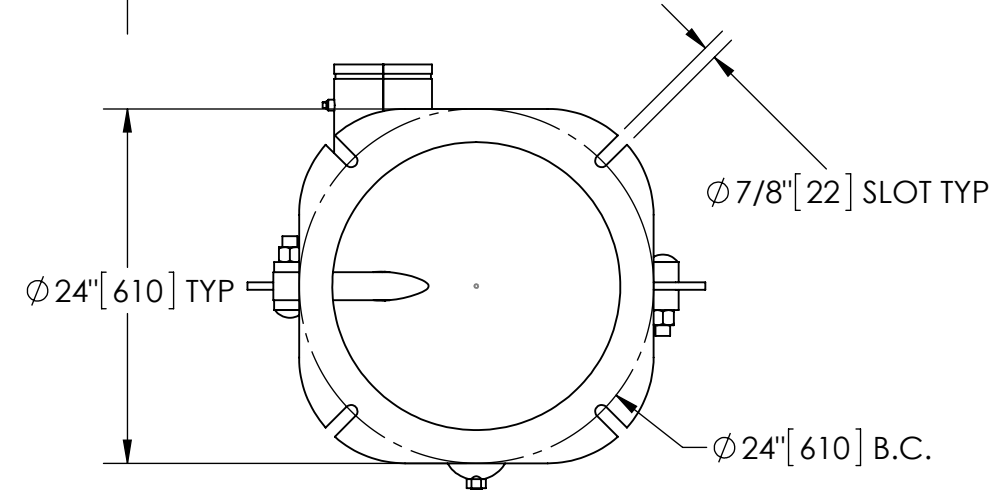
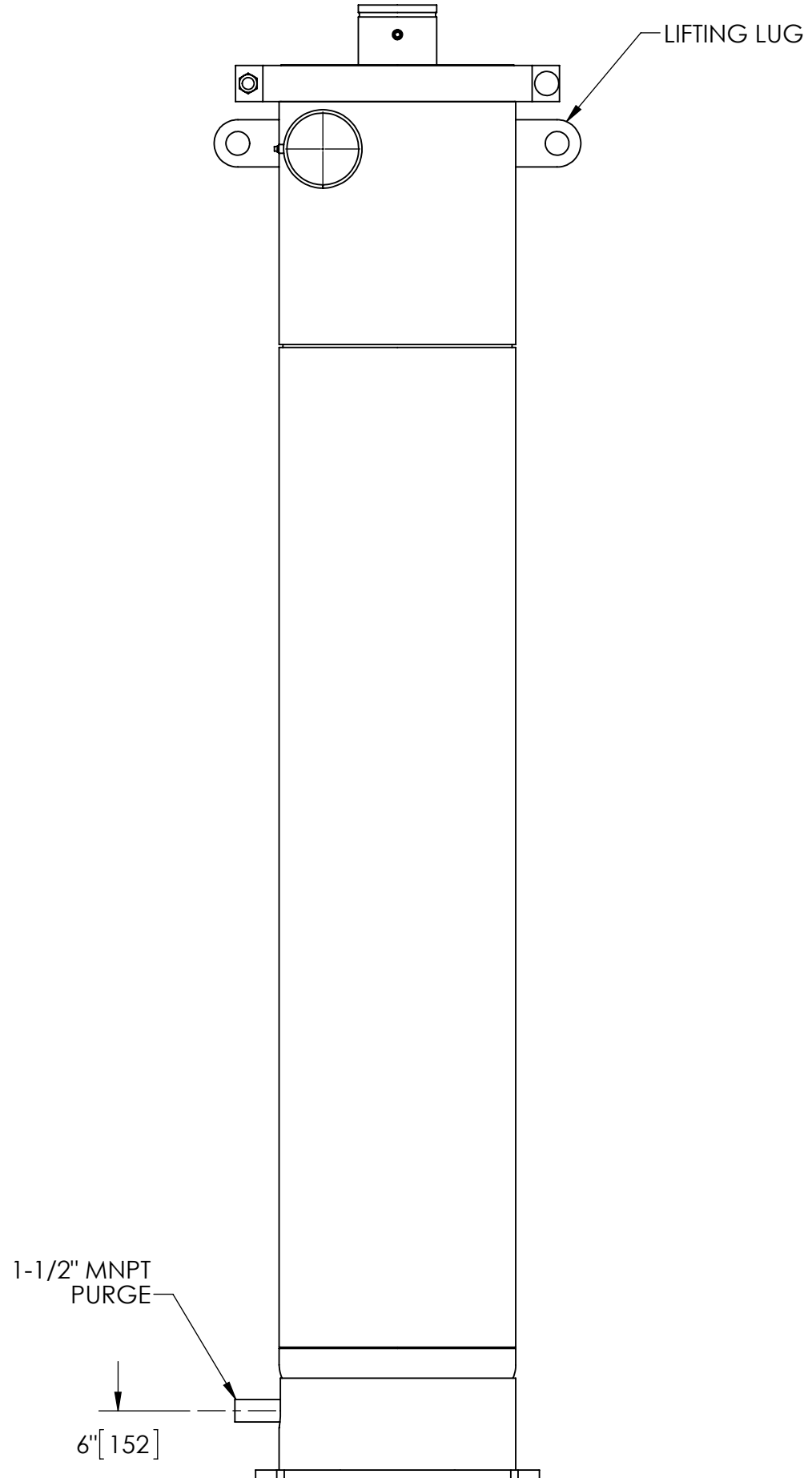
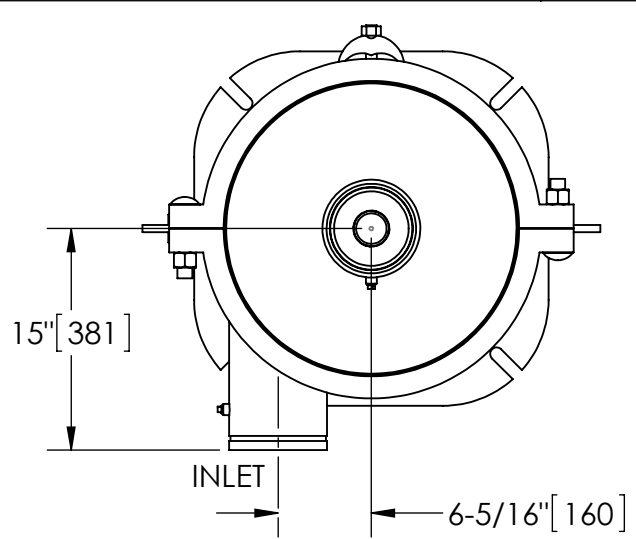
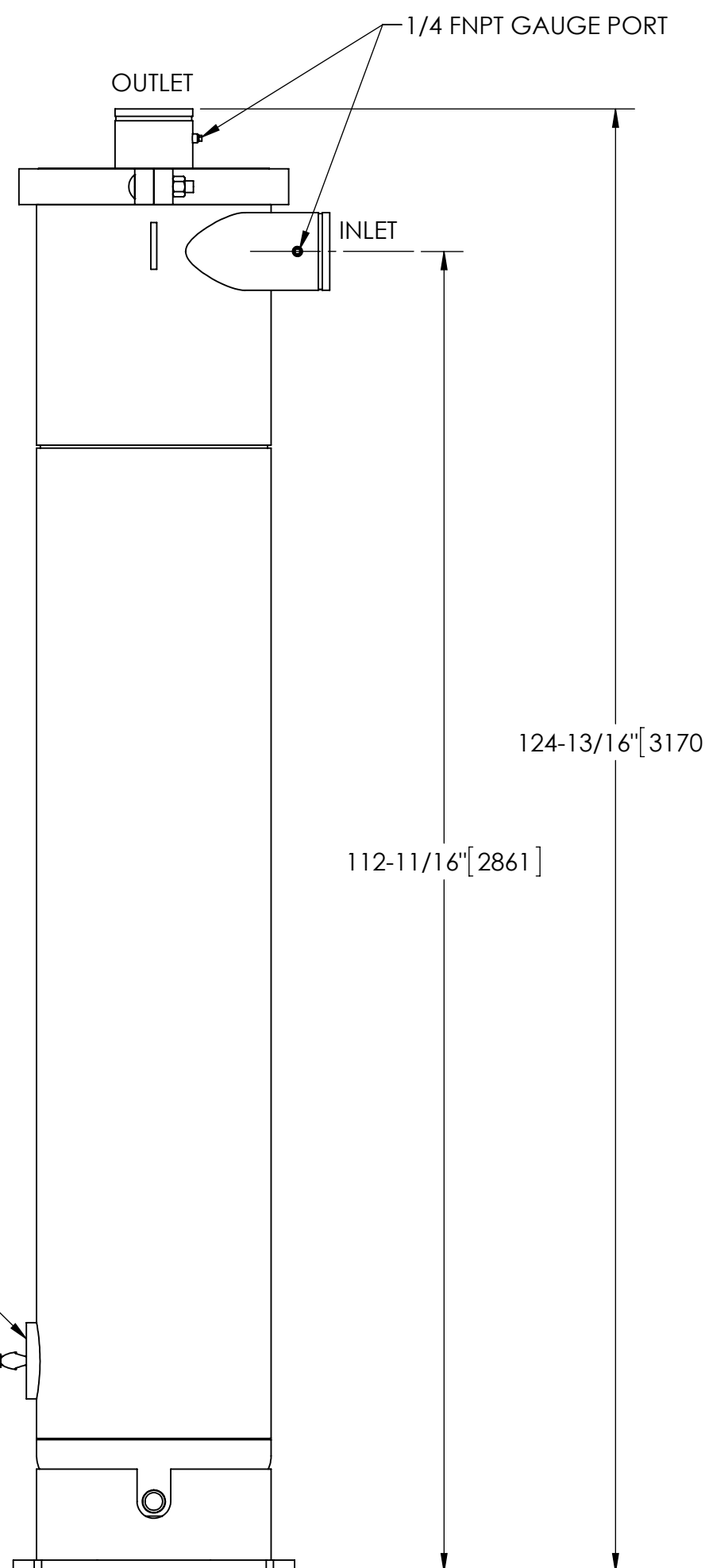
A

D

C

B

A



NOTES:

1. INLET & OUTLET ARE 6" GROOVED PIPE.
2. MAXIMUM PRESSURE: 150 psi (10.3 bar).
3. MAXIMUM TEMPERATURE: 180°F (82°C).
4. PRESSURE LOSS: 2-15 psid (.14-1.03 bar) AT RATED FLOW.
5. RATED FLOW: 420-950 gpm (95-216 m³/hr).
6. APPROXIMATE DRY WEIGHT: 1227 lbs (557 kg).
7. FINISH: LAKOS BLACK (EXTERIOR ONLY).

SUBMITTAL DRAWING

This drawing is submitted for spatial consideration only. Do not pre-plumb to these dimensions.

THIS DRAWING HAS BEEN GENERATED AND IS MAINTAINED BY A CAD SYSTEM. CHANGES SHALL ONLY BE INCORPORATED AS DIRECTED BY AN APPROVED ENGINEERING CHANGE ORDER (ECO). PAPER COPIES ARE UNCONTROLLED.

| | | | | | |
|--|--|------------------------------------|---------|--|-------------------------------|
| UNLESS OTHERWISE SPECIFIED: DIMENSIONS ARE IN: INCHES (mm) TOLERANCES ARE: FRACTIONS DECIMALS ANGLES $\pm 1/2''$.XX $\pm .01$ $\pm 1/4''$.XXX $\pm .005$.XXXX $\pm .0005$ | | ENGINEERED FOR: STANDARD | | LAKOS CLAUDE LAVAL CORP. FRESNO, CALIFORNIA 93727 WWW.LAKOS.COM | |
| DO NOT SCALE DRAWING | | APPROVALS | DATE | TITLE | |
| MATERIAL CLASS P-1 MILD CARBON STEEL | | DRAWN TRR | 11/6/14 | eHTX-0420-V, SEPARATOR 6 eHTX VERTICAL, CARBON STEEL | |
| FINISH LAKOS BLACK | | ENGR - | - | SIZE C | MODEL NO. |
| | | MFG - | - | DWG NO. | REV. |
| | | WORK ORDER | QTY. | 137007 | 01 |
| | | | | SCALE 1:14 | EST. WT. 1227 lb SHEET 1 OF 1 |

4

3

2

1

DWG NO.

137007

SHEET

1

REV.

01