

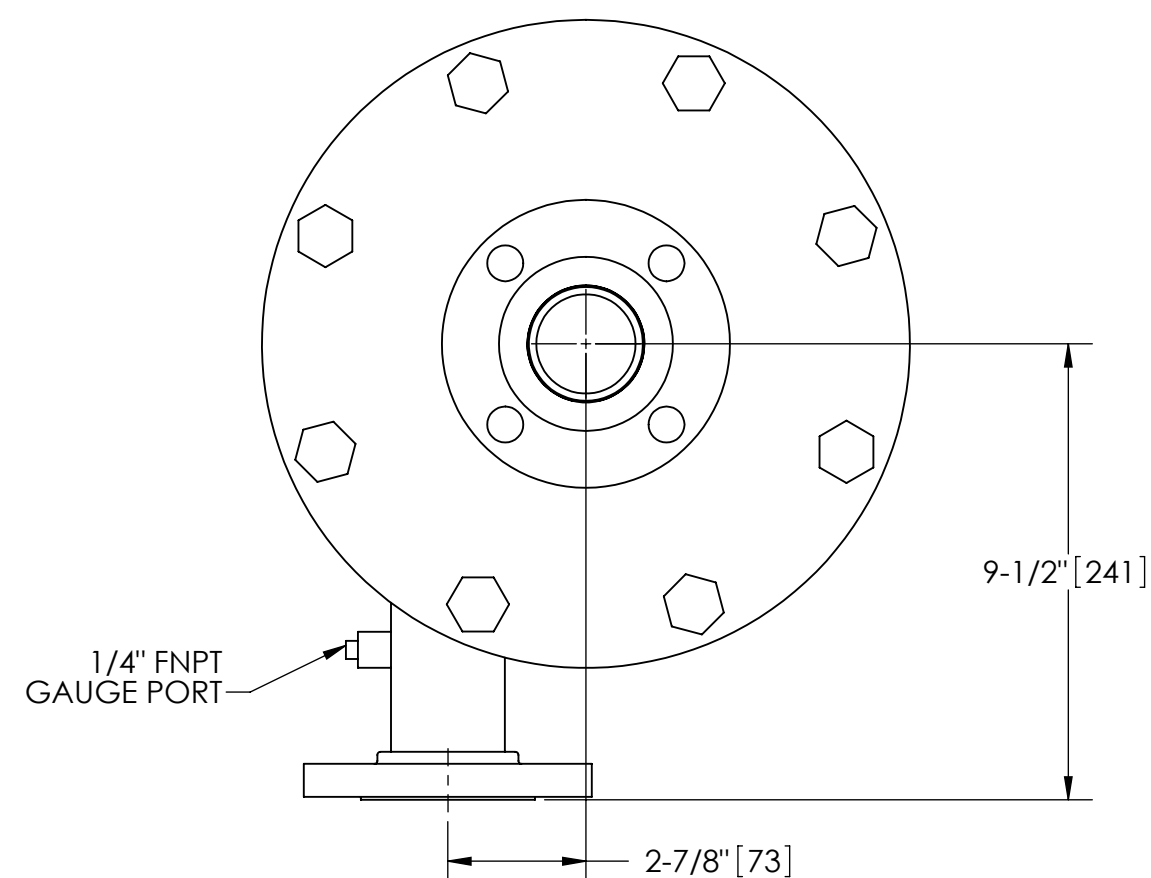
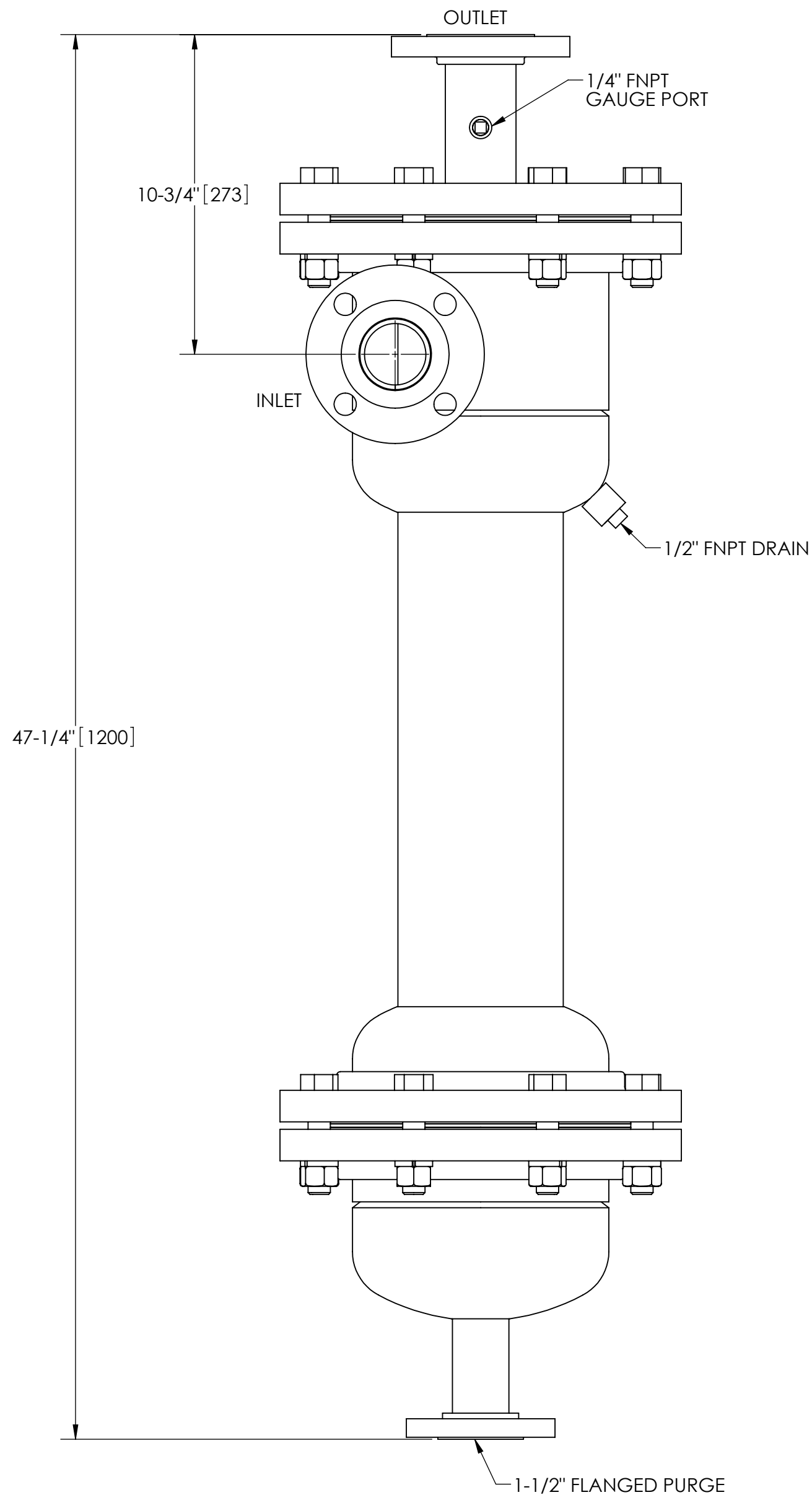
EXCEPT AS OTHERWISE PROVIDED BY CONTRACT, THIS DRAWING AND SPECIFICATIONS SHALL NOT BE REPRODUCED, COPIED OR USED AS THE BASIS FOR MANUFACTURE OR SALE OF MATTER DEPICTED HEREIN WITHOUT THE EXPRESSED WRITTEN PERMISSION OF THE CLAUDE LAVAL CORPORATION, OR ITS ASSIGNEES.

THIS DRAWING HAS BEEN GENERATED AND IS MAINTAINED BY A CAD SYSTEM. CHANGES SHALL ONLY BE INCORPORATED AS DIRECTED BY AN APPROVED ENGINEERING CHANGE ORDER (ECO). PAPER COPIES ARE UNCONTROLLED.

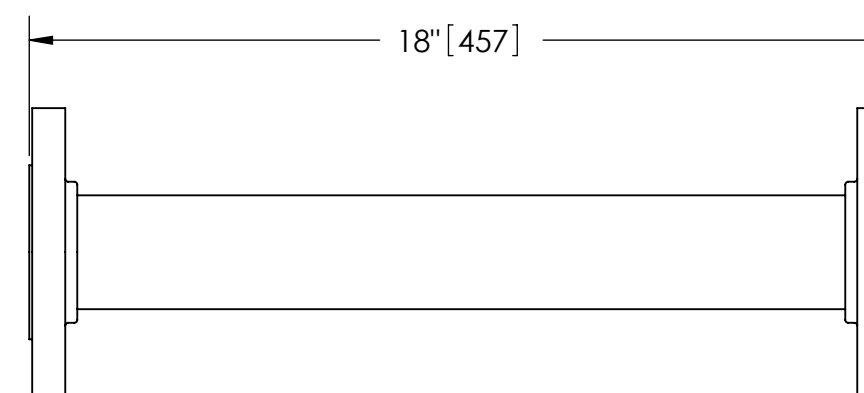
REVISIONS				
ECN	REV.	DESCRIPTION	DATE	APPROVED

NOTES:

1. INLET & OUTLET FLANGES ARE 2" 150# RF PER ANSI B16.5 REQUIRING 4X ϕ 5/8" BOLTS (BOLTS AND GASKETS NOT INCLUDED).
2. MAXIMUM PRESSURE: 100 psi (6.9 bar).
3. MAXIMUM TEMPERATURE: 400°F (204°C).
4. PRESSURE LOSS: 3-12 psi (.2-.8 bar) AT RATED FLOW.
5. RATED FLOW: 75-125 gpm (17-29 m³/hr).
6. APPROXIMATE DRY WEIGHT: 244 lbs (111 kg).
7. FINISH: GLASS BLAST (EXTERIOR ONLY).
8. THREADED CONNECTIONS SEALED USING TEFLON PASTE SEALANT JOHN CRANE JC-30 OR EQUIVALENT.
9. GASKETS: SPIRAL WOUND, 304 SS W/PTFE FILLER.



TOP VIEW



FLANGED SPOOL

MODEL FS-02/S4 (AVAILABLE SEPARATELY)
REQUIRED FOR REMOVAL OF TOP ASSEMBLY

SUBMITTAL DRAWING

This drawing is submitted for spatial consideration only. Do not pre-plumb to these dimensions.

UNLESS OTHERWISE SPECIFIED: DIMENSIONS ARE IN: INCHES [mm] TOLERANCES ARE: FRACTIONS DECIMALS ANGLES \pm 1" .XX \pm .01 \pm 1/4° .XXX \pm .005 .XXXX \pm .0005		ENGINEERED FOR: 304L SS		LAKOS		CLAUDE LAVAL CORP. FRESNO, CALIFORNIA 93727 WWW.LAKOS.COM		LAVAL UNDERGROUND SURVEYS			
DO NOT SCALE DRAWING		APPROVALS	DATE	TITLE		CSX-0075-HV/S4, SEPARATOR, 75-125 gpm, 304L SS					
MATERIAL	TYPE 304L STAINLESS STEEL	DRAWN	RJ/DLW	12/12/06	ENGR	-	-	SIZE	MODEL NO.	DWG NO.	REV.
FINISH	SEE NOTES	MFG	-	-	WORK ORDER	-	-	C		118178	B
SCALE		1:4		EST. WT.		244 lb		SHEET		1 OF 1	