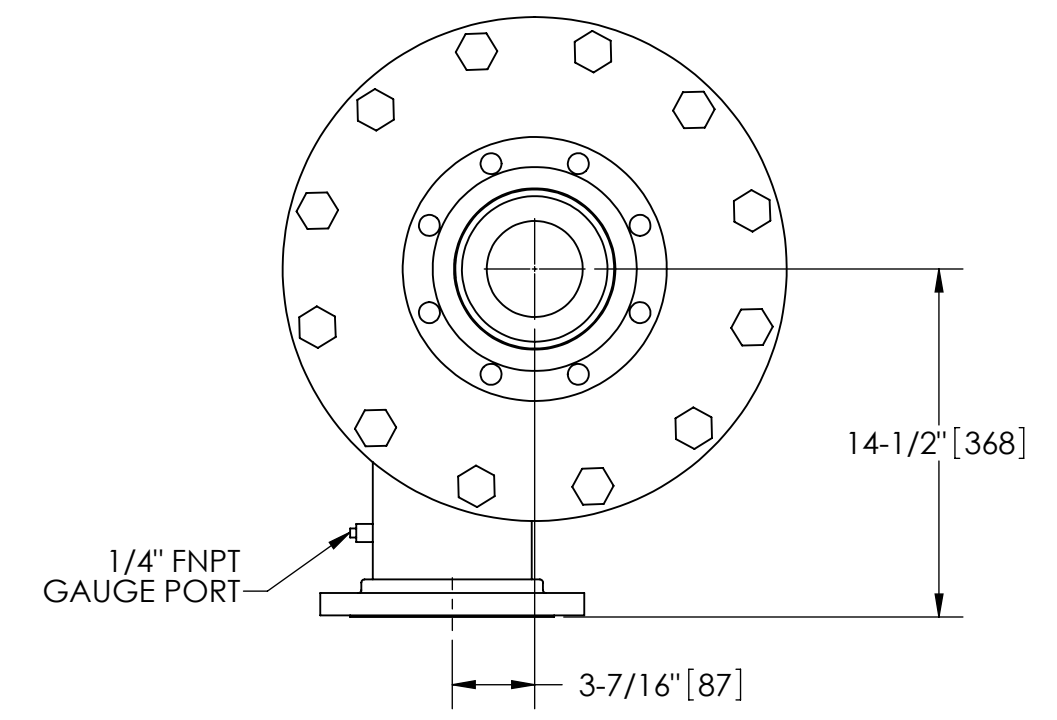
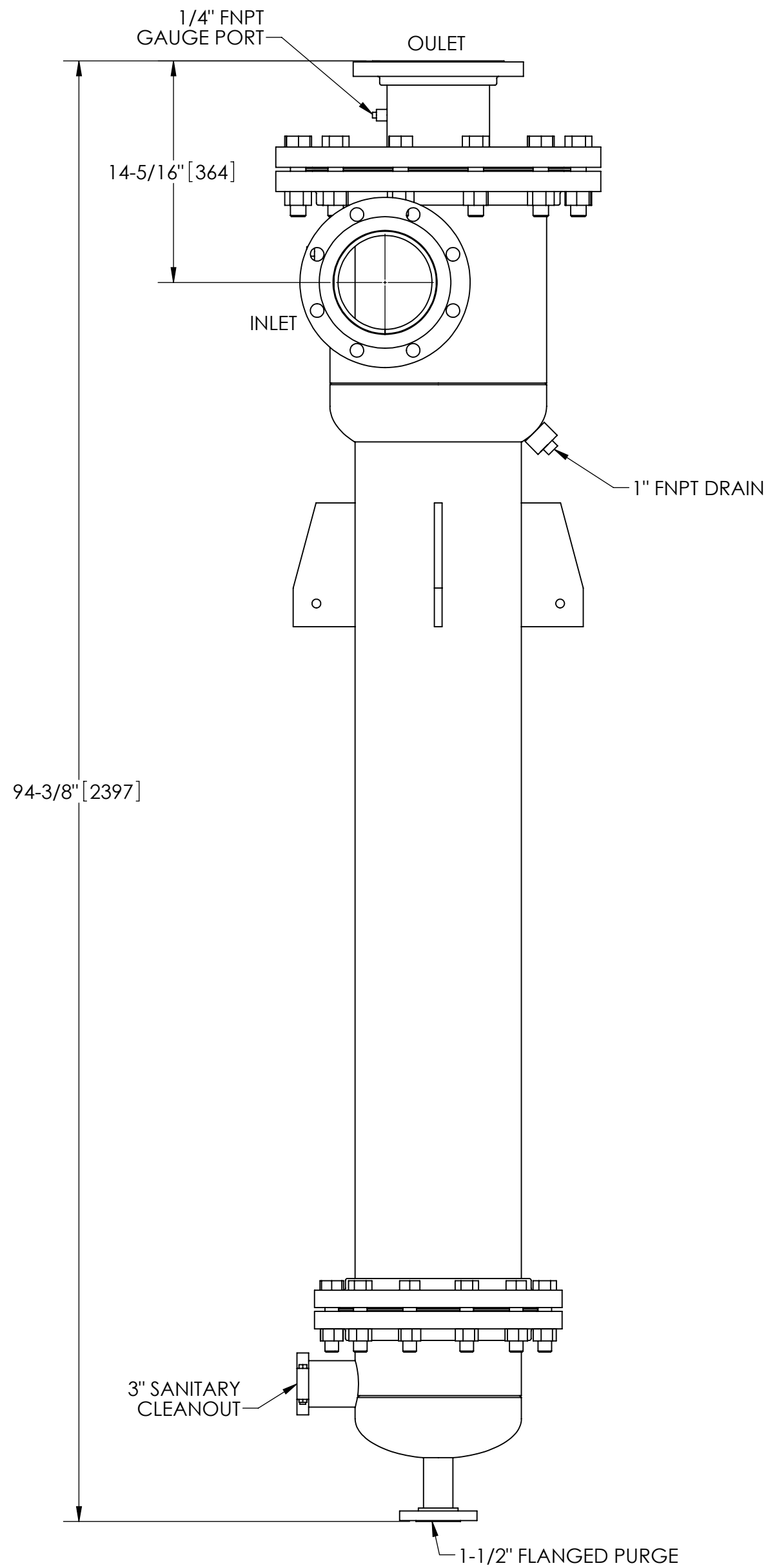


EXCEPT AS OTHERWISE PROVIDED BY CONTRACT, THIS DRAWING AND SPECIFICATIONS SHALL NOT BE REPRODUCED, COPIED OR USED AS THE BASIS FOR MANUFACTURE OR SALE OF MATTER DEPICTED HEREIN WITHOUT THE EXPRESSED WRITTEN PERMISSION OF THE CLAUDE LAVAL CORPORATION, OR ITS ASSIGNEES.

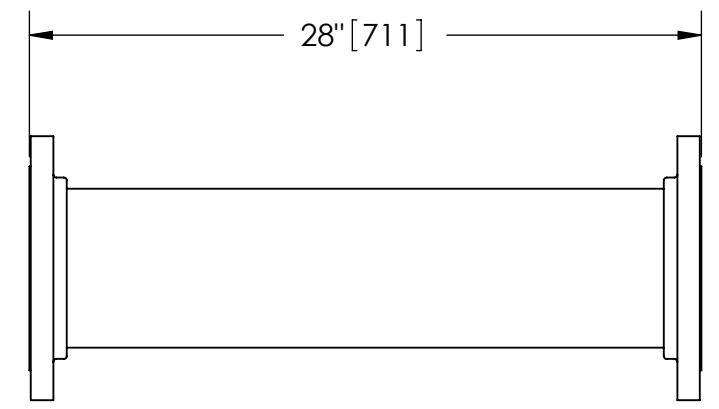
THIS DRAWING HAS BEEN GENERATED AND IS MAINTAINED BY A CAD SYSTEM. CHANGES SHALL ONLY BE INCORPORATED AS DIRECTED BY AN APPROVED ENGINEERING CHANGE ORDER (ECO). PAPER COPIES ARE UNCONTROLLED.

REVISIONS				
ZONE	REV.	DESCRIPTION	DATE	APPROVED

- NOTES:
1. INLET & OUTLET FLANGES ARE 6" 150# RF PER ANSI B16.5 REQUIRING 8X Ø3/4" BOLTS (BOLTS AND GASKETS NOT INCLUDED).
  2. MAXIMUM PRESSURE: 100 psi (6.9 bar).
  3. MAXIMUM TEMPERATURE: 400°F (204°C).
  4. PRESSURE LOSS: 3-12 psi (.2-.8 bar) AT RATED FLOW.
  5. RATED FLOW: 565-1030 gpm (130-235 m³/hr).
  6. APPROXIMATE DRY WEIGHT: 692 lbs (314 kg).
  7. FINISH: GLASS BLAST (EXTERIOR ONLY).
  8. THREADED CONNECTIONS SEALED USING TEFLON PASTE SEALANT JOHN CRANE JC-30 OR EQUIVALENT.
  9. GASKETS: SPIRAL WOUND, 304 SS W/PTFE FILLER.



TOP VIEW



FLANGED SPOOL  
MODEL FS-06/S4 (AVAILABLE SEPARATELY)  
REQUIRED FOR REMOVAL OF TOP ASSEMBLY

**SUBMITTAL DRAWING**

This drawing is submitted for spatial consideration only. Do not pre-plumb to these dimensions.

UNLESS OTHERWISE SPECIFIED: DIMENSIONS ARE IN: INCHES [mm] TOLERANCES ARE:		ENGINEERED FOR: <b>304L SS</b>		LAKOS		CLAUDE LAVAL CORP. FRESNO, CALIFORNIA 93727 WWW.LAKOS.COM		LAVAL UNDERGROUND SURVEYS		
FRACTIONS ± 1"	DECIMALS .XX ± .01 .XXX ± .005 .XXXX ± .0005	ANGLES ± 1/4°		APPROVALS	DATE	TITLE				
DO NOT SCALE DRAWING				DRAWN HSK/DLW	5/5/06	CSX-0565-HV/S4, SEPARATOR, 565-1030 gpm, 304L SS				
MATERIAL TYPE 304L STAINLESS STEEL		ENGR JBI		11/29/07		SIZE C		MODEL NO.	DWG NO. <b>118192</b>	REV. A
FINISH SEE NOTES		MFG -		-		SCALE 1:8		EST. WT. 692 lb	SHEET 1 OF 1	
		WORK ORDER		QTY.						

DWG NO. 118192  
SHEET 1  
REV. A