

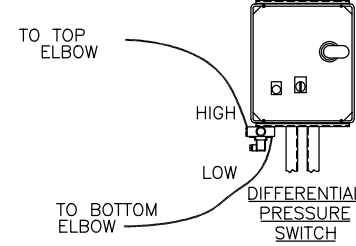
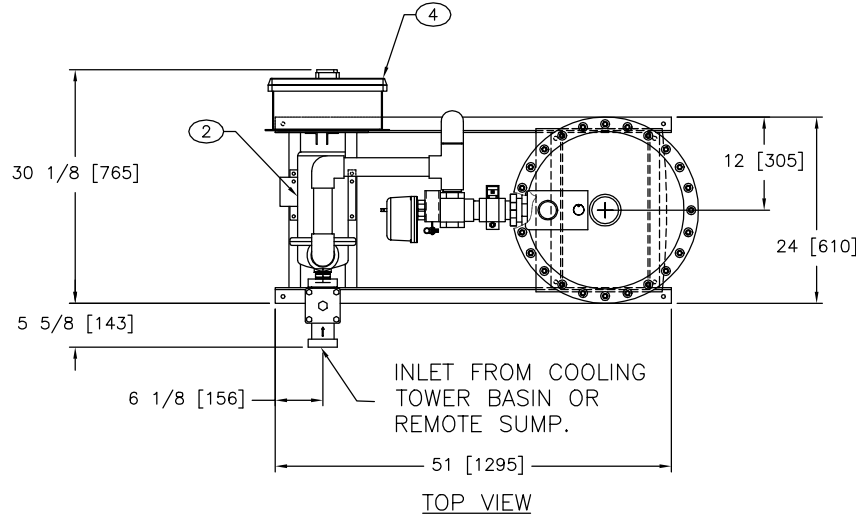
EXCEPT AS OTHERWISE PROVIDED BY CONTRACT, THIS DRAWING AND SPECIFICATIONS SHALL NOT BE REPRODUCED, COPIED OR USED AS THE BASIS FOR MANUFACTURE OR SALE OF MATTER DEPICTED HEREIN WITHOUT THE EXPRESSED WRITTEN PERMISSION OF THE CLAUDE LAVAL CORPORATION, OR ITS ASSIGNEES.

# SUBMITTAL DRAWING

This drawing is submitted for spatial consideration only. Do not pre-plumb to these dimensions.

THIS DRAWING HAS BEEN GENERATED AND IS MAINTAINED BY A CAD SYSTEM. CHANGES SHALL ONLY BE INCORPORATED AS DIRECTED BY AN APPROVED ENGINEERING CHANGE ORDER (ECO). PAPER COPIES ARE UNCONTROLLED.

REVISIONS				
ZONE	REV	DESCRIPTION	DATE	APPROVED
-	A	ADDED B-LINE SUPPORT	12/4/02	<i>ADG</i>
-	B	CHANGED STRAINER	4/1/08	<i>ADG</i>
-	C	CHANGED TO A DIFFERENT TANK	5/15/08	<i>ADG</i>
-	C	REVERSED SYSTEM AND BACKWASH OUTLETS	5/15/08	<i>ADG</i>



PRESSURE DIFFERENTIAL SETTINGS	
20" UNITS	= 13 PSI
24" UNITS	= 13 PSI
30" UNITS	= 16 PSI

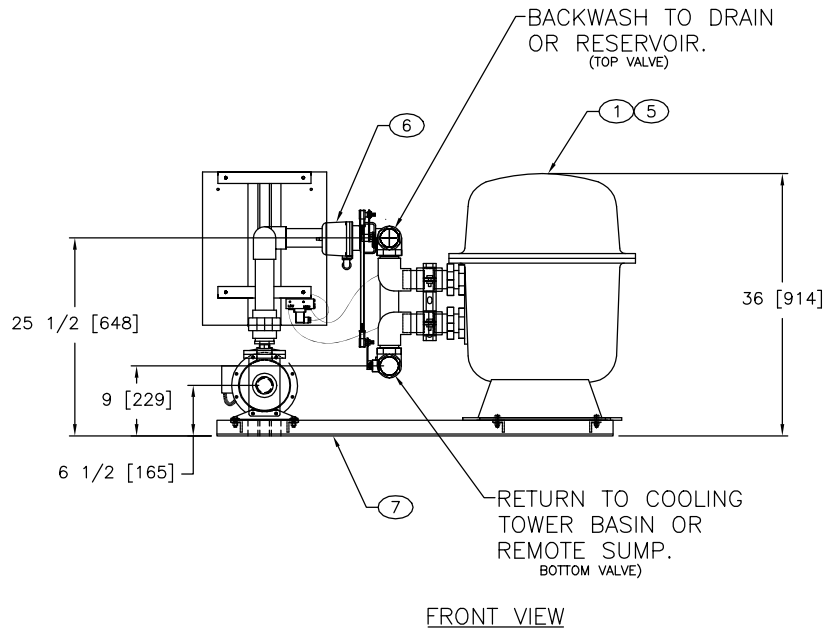
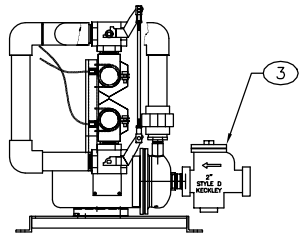
TIMER SETTINGS	
ONE SHOT TIMER	= 180 SECS.
ON-DELAY TIMER	= 24 HRS.

**NOTES:**

1. INLET IS 2" PIPE SIZE (FNPT).
2. OUTLET IS 2" PIPE SIZE (FNPT).
3. BACKWASH IS 2" PIPE SIZE (FNPT).
4. MAXIMUM PRESSURE: 50 psi. (345 kPa).
5. MAXIMUM TEMPERATURE: 125°F (51.7°C).
6. SPECIFIED MAXIMUM FLOWRATE OF 45 GPM (10 m<sup>3</sup>/hr).
7. SPECIFIED MINIMUM BACKWASH FLOW RATE OF 33 GPM (7.4 m<sup>3</sup>/hr).
8. POWER REQUIREMENT: 480V, 3PH, 60HZ.
9. NEMA 4X MOTOR STARTER ENCLOSURE WITH SAFETY DISCONNECT, H.O.A. SWITCH, BACKWASH TIMER AND BACKWASH CYCLE TIMER.
10. APPROXIMATE DRY WEIGHT: 370 lbs (168 kg).
11. MINIMUM PIPE SIZE AT FTS SYSTEM INLET IS 3" PIPE.
12. FLOODED SUCTION REQUIRED.

**COMPONENT LIST:**

- ① MEDIA TANK: 20" DIAMETER FIBERGLASS REINFORCED POLYESTER FILTER.
- ② PUMP: 1 HP CENTRIFUGAL, STAINLESS STEEL, 3500 rpm.
- ③ BASKET STRAINER.
- ④ ELECTRICAL CONTROL BOX: 460V 60HZ W/115V TRANSFORMER.
- ⑤ MEDIA: 10 MICRON AT 95% EFFICIENCY - STANDARD.  
5 MICRON AT 90% EFFICIENCY - OPTIONAL.
- ⑥ ELECTRIC ACTUATOR: 120 V ELECTRICALLY ACTUATED 3-WAY BALL VALVES
- ⑦ OPEN RAIL, STAINLESS STEEL SKID.



UNLESS OTHERWISE SPECIFIED: DIMENSIONS ARE IN: INCHES [mm] TOLERANCES ARE: FRACTIONS DECIMALS ANGLES 1/2" ± 1/32" .005 ± .005 ± 1/4" 3/16" ± .01" .003 ± .003 ± 1/4" DO NOT SCALE DRAWING	ENGINEERED FOR: <b>STANDARD</b>		CLAUDE LAVAL CORP. 1365 N. CLOVIS AVE. FRESNO, CALIFORNIA 93727		Laval UNDERGROUND SURVEYS
	APPROVALS	DATE	TITLE		
MATERIAL	DRAWN	NAC	4/15/02	FTS-20-045-A-S, HT MEDIA SYSTEM	
SEE PARTS LIST	REVIEWED			SYSTEM BW, AUTO, FIBERGLASS 1 HP	
FINISH	ENGR	<i>ADG</i>	4/28/02	SIZE	MODEL NO.
AS ASSEMBLED	WORK ORDER		QTY.	C	
SCALE 1"=1'			EST. NO.	119188	REV. C
			EST. WT.	SHEET 1 OF 1	

119188