

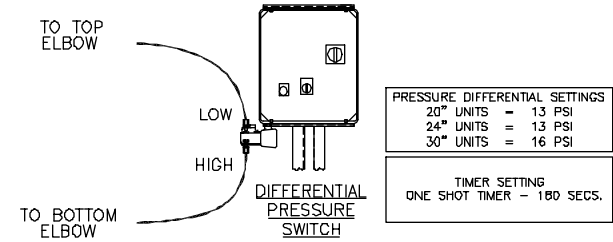
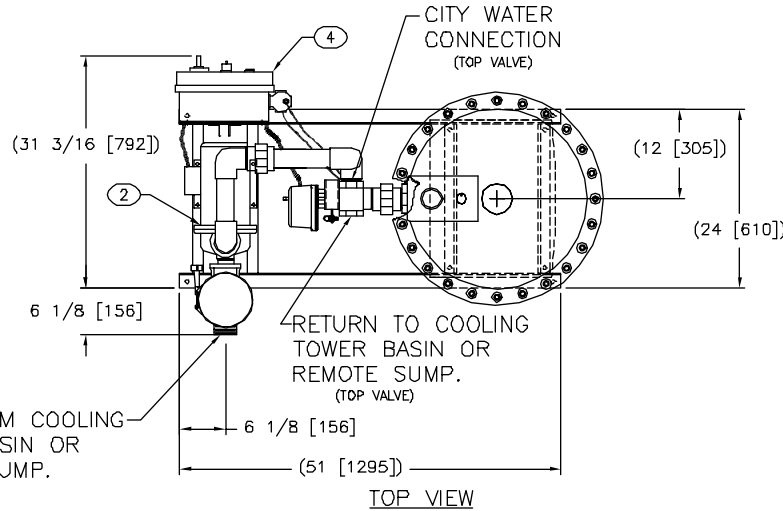
EXCEPT AS OTHERWISE PROVIDED BY CONTRACT, THIS DRAWING AND SPECIFICATIONS SHALL NOT BE REPRODUCED, COPIED OR USED AS THE BASIS FOR MANUFACTURE OR SALE OF MATTER DEPICTED HEREIN WITHOUT THE EXPRESSED WRITTEN PERMISSION OF THE CLAUDE LAVAL CORPORATION, OR ITS ASSIGNEES.

REVISIONS				
ZONE	REV	DESCRIPTION	DATE	APPROVED

THIS DRAWING HAS BEEN GENERATED AND IS MAINTAINED BY A CAD SYSTEM. CHANGES SHALL ONLY BE INCORPORATED AS DIRECTED BY AN APPROVED ENGINEERING CHANGE ORDER (ECO). PAPER COPIES ARE UNCONTROLLED.

SUBMITTAL DRAWING

This drawing is submitted for special consideration only. Do not pre-plumb to these dimensions. Certified drawings available upon request.

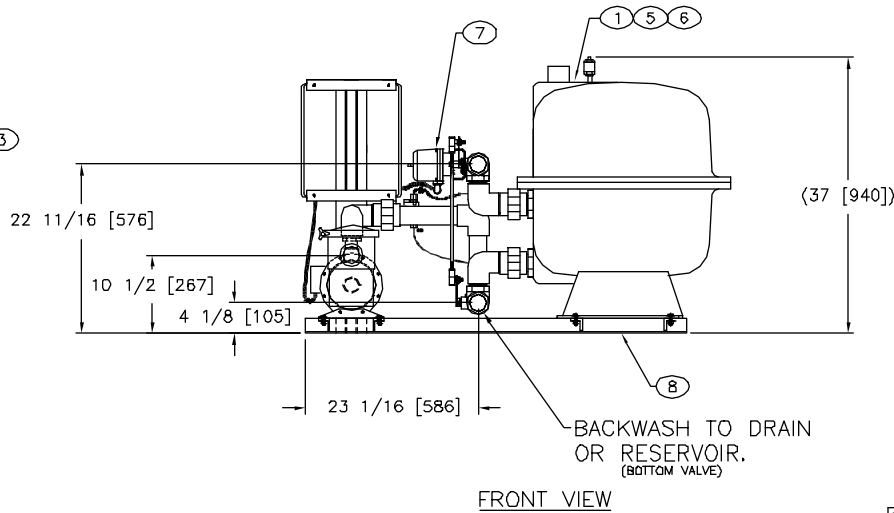
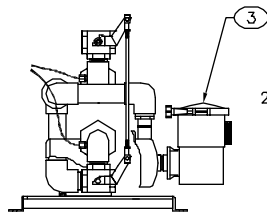


NOTES:

1. INLET IS 2" PIPE SIZE (FNPT).
2. OUTLET IS 2" PIPE SIZE (FNPT).
3. BACKWASH IS 2" PIPE SIZE (FNPT).
4. MAXIMUM PRESSURE: 50 psi. (345 kPa).
5. MAXIMUM TEMPERATURE: 125°F (51.7°C).
6. SPECIFIED MAXIMUM FLOWRATE OF 65 GPM (15 m³/hr).
7. SPECIFIED MINIMUM BACKWASH FLOW RATE OF 47 GPM (11 m³/hr).
8. POWER REQUIREMENT: 460V, 3PH, 60HZ.
9. NEMA 4X MOTOR STARTER ENCLOSURE WITH SAFETY DISCONNECT, H.O.A.L. SWITCH, BACKWASH TIMER AND BACKWASH CYCLE TIMER.
10. APPROXIMATE DRY WEIGHT: 445 lbs (202 kg).
11. MINIMUM PIPE SIZE AT FTS SYSTEM INLET IS 3" PIPE.
12. FLOODED SUCTION REQUIRED.
13. FINISH: AS ASSEMBLED.

COMPONENT LIST:

- ① MEDIA TANK: 24" DIAMETER FIBERGLASS REINFORCED POLYESTER FILTER.
- ② PUMP: 2 HP CENTRIFUGAL, STAINLESS STEEL, 3500 rpm.
- ③ PLASTIC BASKET STRAINER.
- ④ ELECTRICAL CONTROL BOX: 460V 60HZ W/115V TRANSFORMER.
- ⑤ MEDIA: 10 MICRON AT 95% EFFICIENCY - STANDARD, 5 MICRON AT 90% EFFICIENCY - OPTIONAL.
- ⑥ UNDERDRAIN: PVC CENTER MANIFOLD, ABS COLLECTOR HUB FOR 16 ABS COLLECTOR LATERALS.
- ⑦ ELECTRIC ACTUATOR: 120 V ELECTRICALLY ACTUATED 3-WAY BALL VALVES
- ⑧ OPEN RAIL, STAINLESS STEEL SKID.



UNLESS OTHERWISE SPECIFIED: DIMENSIONS ARE IN: INCHES (mm)		ENGINEERED FOR:		LAKOS		CLAUDE LAVAL CORP.		LAKOS	
TOLERANCES ARE:		STANDARD		LAKOS		1365 N. CLOVIS AVE.		LAKOS	
FRACTIONS DECIMALS ANGLES		APPROVALS		DATE		FRESNO, CALIFORNIA		93727	
±1/2" ±.005 ±1/4"	±.005 ±.005 ±.005	DRAWN NAC		4/17/02		TITLE		FTS-24-065-A-C, HT MEDIA SYSTEM	
DO NOT SCALE DRAWING		REVIEWED		DATE		CITY BW, AUTO, FIBERGLASS 2 HP		REV. C	
SEE PARTS LIST		ENGR		4/26/02		DWG NO.		119191	
FINISH: AS ASSEMBLED		WORK ORDER		CITY		SCALE		1" = 1"	
						SHEET		1 OF 1	

DWG NO. 119191 REV. 1