

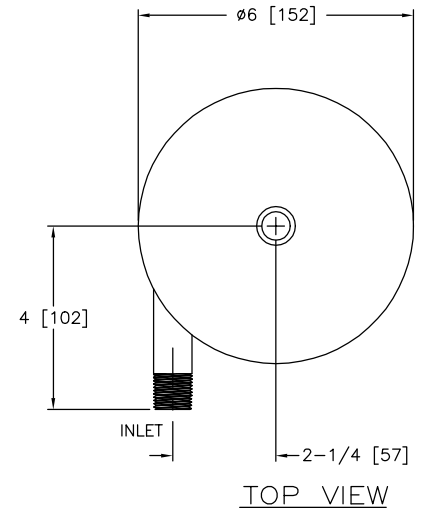
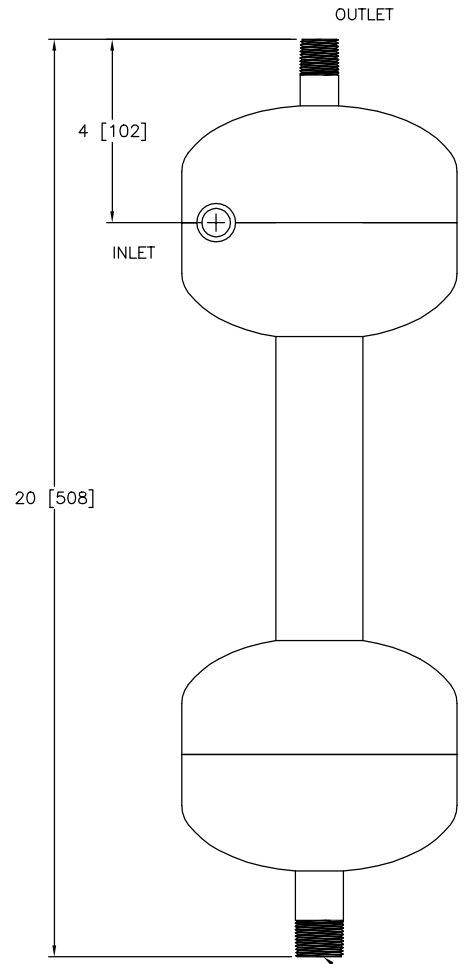
EXCEPT AS OTHERWISE PROVIDED BY CONTRACT, THIS DRAWING AND SPECIFICATIONS SHALL NOT BE REPRODUCED, COPIED OR USED AS THE BASIS FOR MANUFACTURE OR SALE OF MATTER DEPICTED HEREIN WITHOUT THE EXPRESSED WRITTEN PERMISSION OF THE CLAUDE LAVAL CORPORATION, OR ITS ASSIGNEES.

NOTES:

1. INLET AND OUTLET ARE 1/2" NPT.
2. MAXIMUM PRESSURE: 150 psi (1034 kPa).
3. PRESSURE LOSS: 5.0-12.0 psi AT RATED FLOW.
4. RATED FLOW: 4-10 gpm (1.0-2.5 m<sup>3</sup>/hr).
5. APPROXIMATE DRY WEIGHT: 12 lbs (5.4Kg).
6. FINISH: GLASS-BLAST.

REVISIONS				
ZONE	REV	DESCRIPTION	DATE	APPROVED

THIS DRAWING HAS BEEN GENERATED AND IS MAINTAINED BY A CAD SYSTEM. CHANGES SHALL ONLY BE INCORPORATED AS DIRECTED BY AN APPROVED ENGINEERING CHANGE ORDER (ECO). PAPER COPIES ARE UNCONTROLLED.



**SUBMITTAL DRAWING**

This drawing is submitted for special consideration only. Do not pre-plumb to these dimensions. Certified drawings available upon request.

<small>UNLESS OTHERWISE SPECIFIED: DIMENSIONS ARE IN: INCHES (mm) TOLERANCES ARE: FRACTIONS DECIMALS ANGLES ±1/4 .005 ±.005 ±1/4° DO NOT SCALE DRAWING MATERIAL TYPE: 316L STAINLESS STEEL FINISH: GLASS BLAST</small>	ENGINEERED FOR: <b>STANDARD</b>	<b>LAKOS</b> CLAUDE LAVAL CORP. 1365 N. CLOVIS AVE. FRESNO, CALIFORNIA 93727			
	APPROVALS:	DATE:	TITLE:		
	DRAWN: GERALD	6/26/97	ILS-0050, SEPARATOR, 1/2" NPT INLINE, SS 316L		
	REVIEWED:				
	ENGR:	SIZE: C	MODEL NO.:	DWG NO. 100289	REV.:
	WORK ORDER:	SCALE: 1/2	QTY.:	EST. WT.:	SHEET 1 OF 1

DWG NO. 100289

SHEET 1 OF 1

A