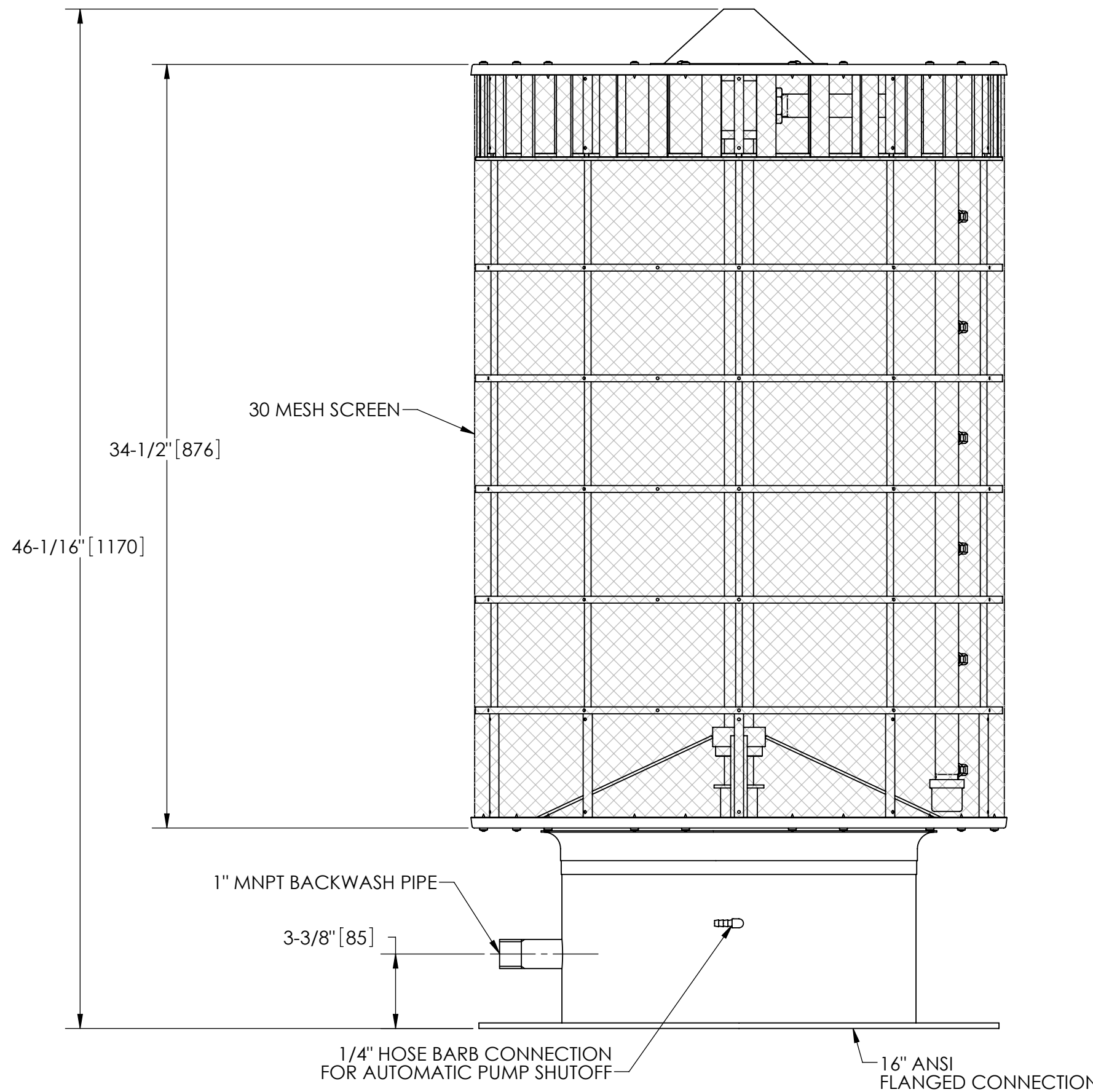
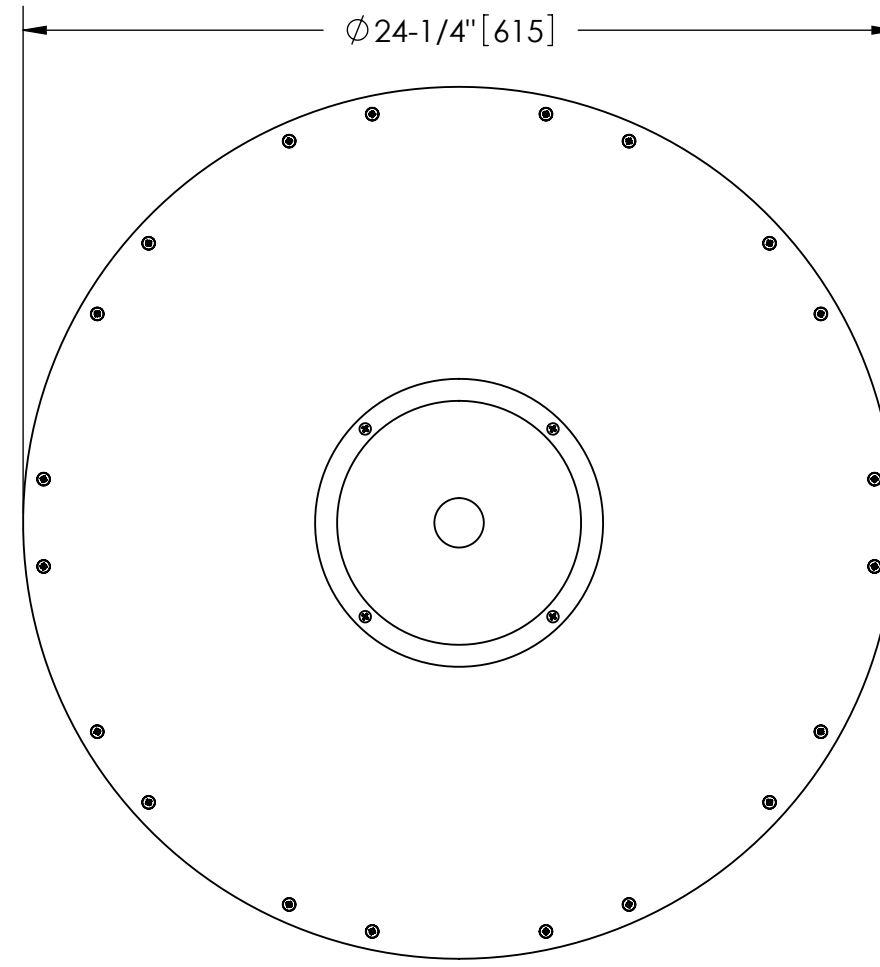


EXCEPT AS OTHERWISE PROVIDED BY CONTRACT, THIS DRAWING AND SPECIFICATIONS SHALL NOT BE REPRODUCED, COPIED OR USED AS THE BASIS FOR MANUFACTURE OR SALE OF MATTER DEPICTED HEREIN WITHOUT THE EXPRESSED WRITTEN PERMISSION OF THE CLAUDE LAVAL CORPORATION, OR ITS ASSIGNEES.

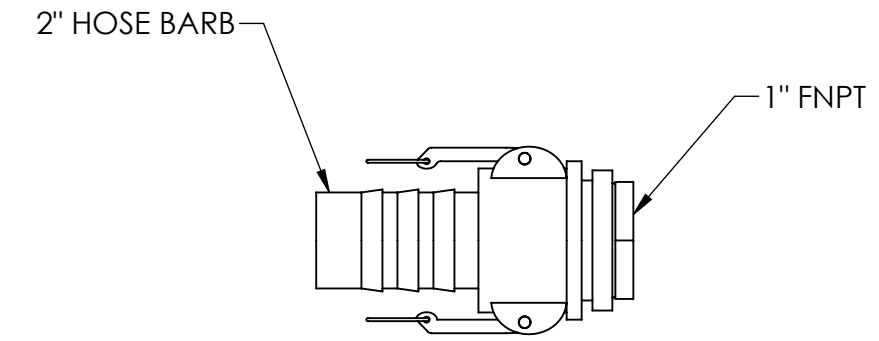
NOTES:

1. OUTLET FLANGE IS 16" ANSI B16.5 HOLE PATTERN REQUIRING 16X 1" BOLTS (BOLTS AND GASKETS NOT INCLUDED).
2. REQUIRED BACKWASH PRESSURE: 75-100 psi (5.1-6.9 bar).
3. APPROXIMATE BACKWASH FLOW AT PROPER PRESSURE: 50 gpm (11.5 m³/hr).
4. MAXIMUM FLOWRATE: 1700 gpm (385 m³/hr).
5. APPROXIMATE DRY WEIGHT: 95 lb (43 kg).
6. FINISH: GLASSBLAST

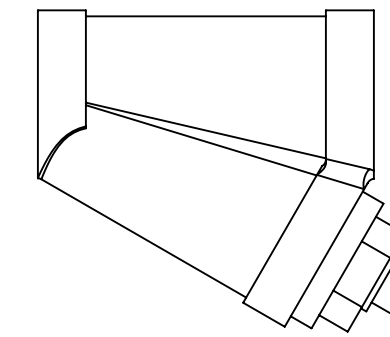


REVISIONS				
ZONE	REV.	DESCRIPTION	DATE	APPROVED

THIS DRAWING HAS BEEN GENERATED AND IS MAINTAINED BY A CAD SYSTEM. CHANGES SHALL ONLY BE INCORPORATED AS DIRECTED BY AN APPROVED ENGINEERING CHANGE ORDER (ECO). PAPER COPIES ARE UNCONTROLLED.



2" QUICK DISCONNECT ADAPTER (INCLUDED) SCALE 1:4



2" INLINE STRAINER (INCLUDED) SCALE 1:4

SUBMITTAL DRAWING

This drawing is submitted for spatial consideration only. Do not pre-plumb to these dimensions.

UNLESS OTHERWISE SPECIFIED: DIMENSIONS ARE IN: INCHES (mm) TOLERANCES ARE: FRACTIONS DECIMALS ANGLES ± 1/4" .XX ± .01 ± 1/4" XXX ± .005 XXXX ± .0005	ENGINEERED FOR: STANDARD		LAKOS CLAUDE LAVAL CORP. FRESNO, CALIFORNIA 93727 WWW.LAKOS.COM		LAKOS UNDERGROUND SURVEYS
	APPROVALS	DATE	TITLE PC342430S, PC SCREEN, 3424 CAGE 30 MESH, TP 304L SS		
DO NOT SCALE DRAWING	DRAWN JBI	1/9/07	SIZE C		REV. 01
MATERIAL PER LAKOS SPEC	ENGR DLW	1/10/07	MODEL NO.	DWG NO. 106907	
FINISH SEE NOTES	MFG -	-	SCALE 3:16	EST. WT. 95 lb	SHEET 1 OF 1
	WORK ORDER	QTY.			

DWG NO. 106907
SHEET 1
REV. 01