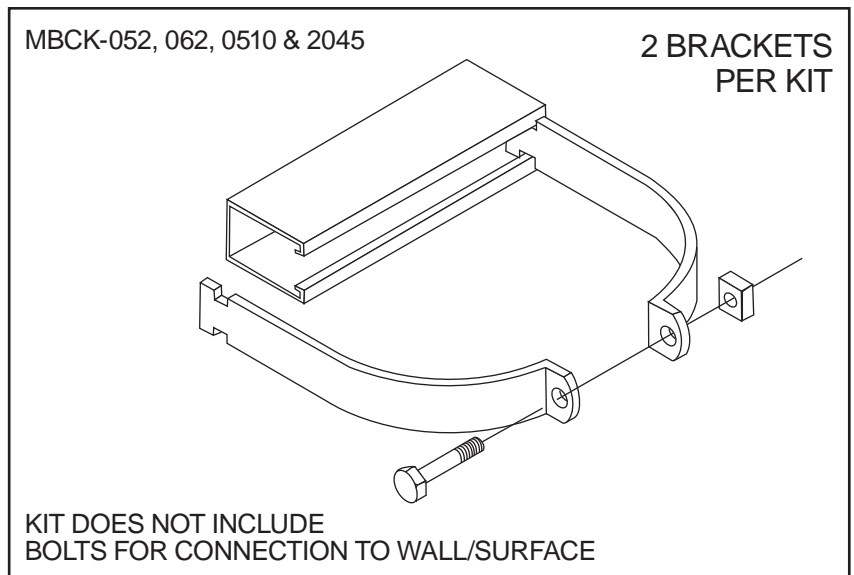
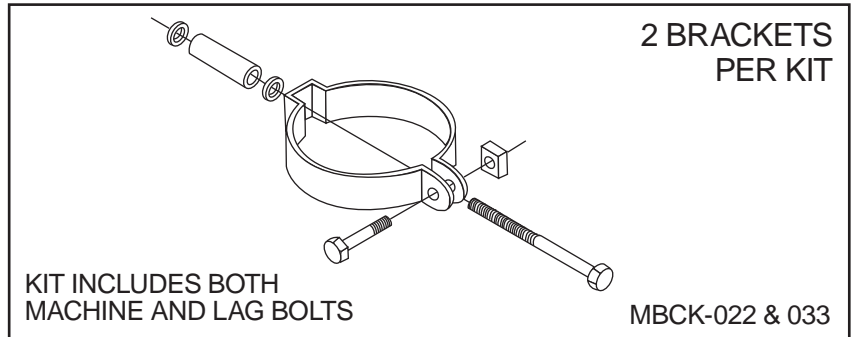
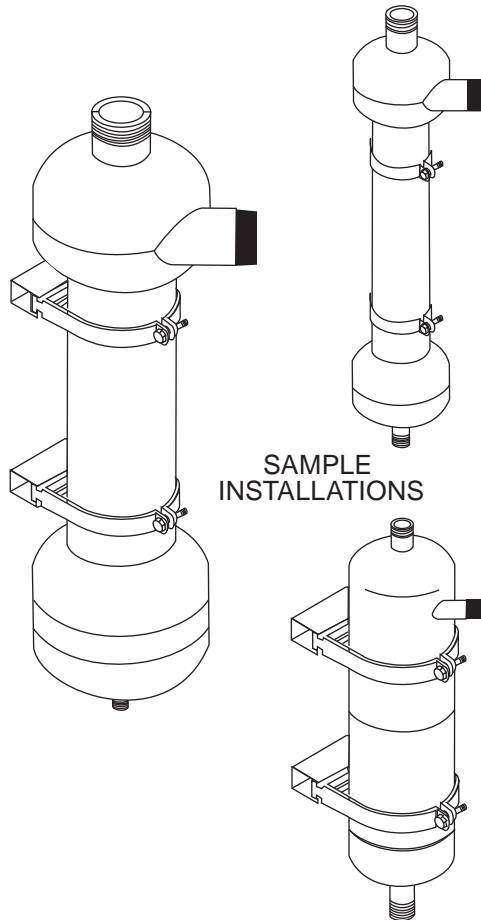


For IN-LINE & SANDMASTER Series Separators

- Provides proper & professional support for LAKOS Separators
- Available with both machine and log bolts for desired installation
- Durable steel construction



GENERAL SPECIFICATIONS

SEPARATOR MODEL	RECOMMENDED BRACKET	WEIGHT	
		lbs	kg
IL-0050-B/S IL-0075-B/S	MBCK-022	1	.4
IL-0100-B/S IL-0125-B/S IL-0150-B/S	MBCK-033	2	.9
IL-0200-B/S IL-0250-B/S	MBCK-052	5	2.3
IL-0300-B/S	MBCK-062	5	2.3
H20-05 H20-10	MBK-0510	4	.18
H20-20 H20-30 H20-45	MBK-2045	5	2.3