

PRO-II SERIES SAND MEDIA FILTRATION SYSTEMS

Kits and Parts Listing

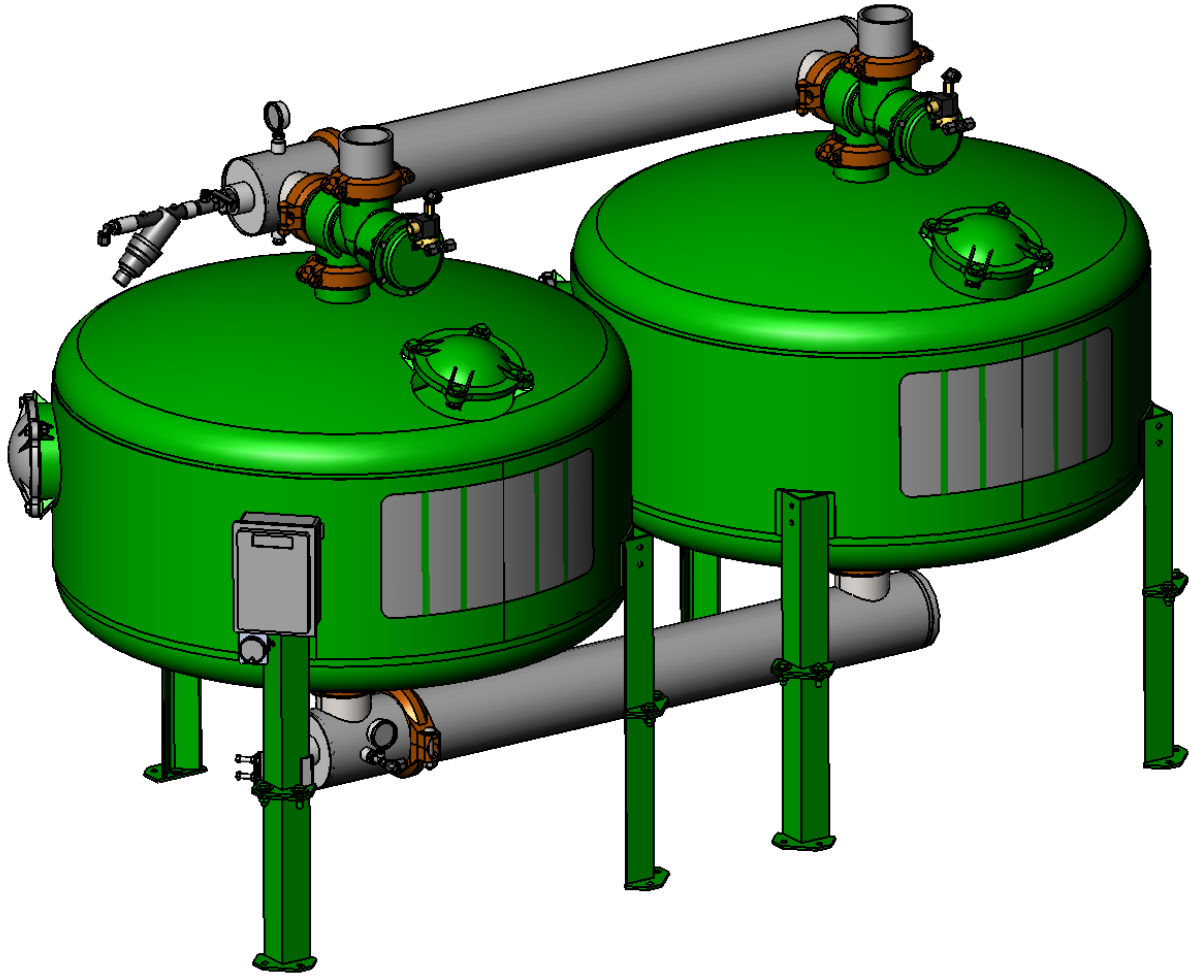
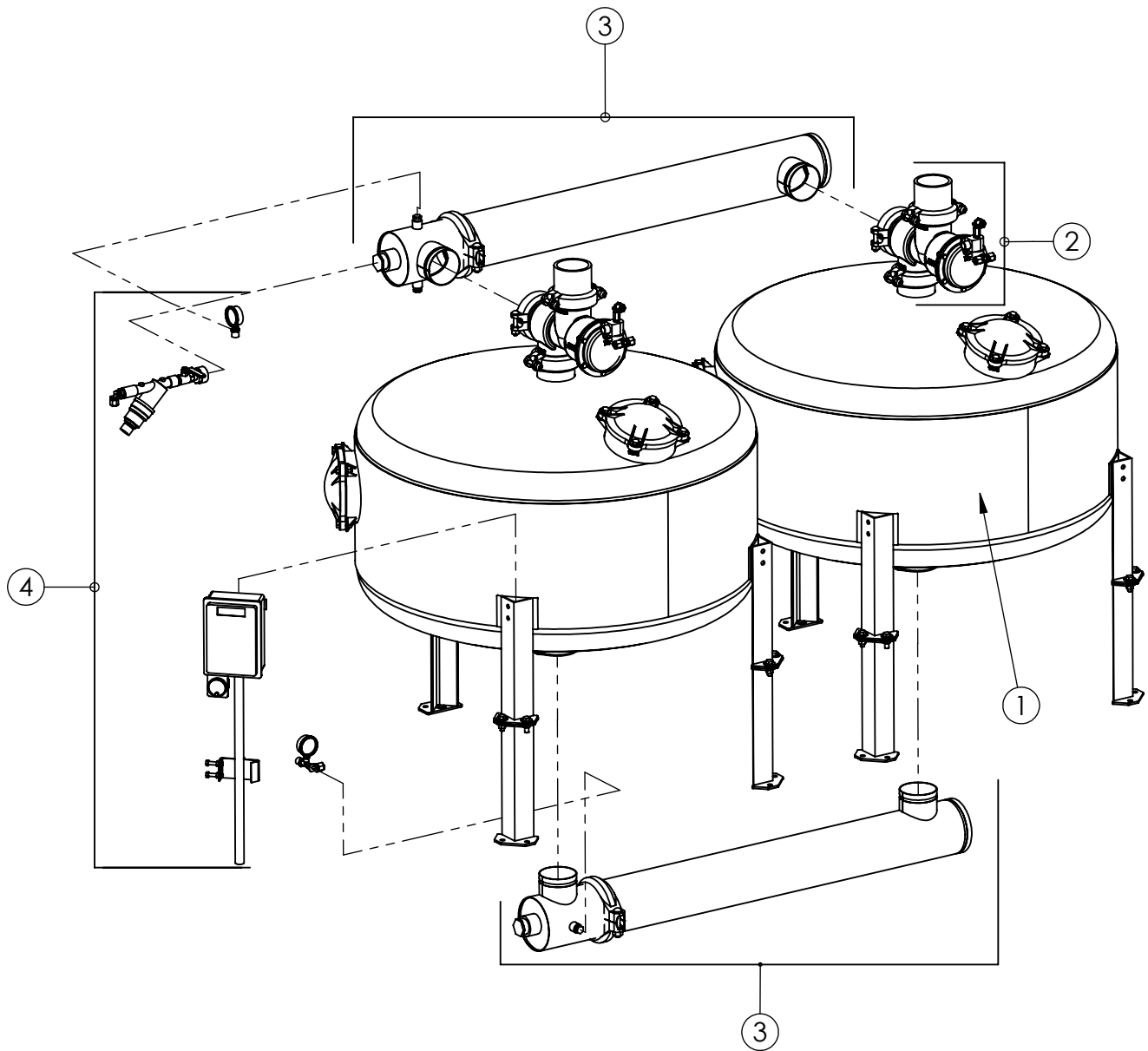


TABLE OF CONTENTS

| | |
|---|--------|
| Assembling Components..... | page 2 |
| 48" Tanks & Tank Kits | 3 |
| 21" & 32" Dia. Tank & Tank Kits | 4 |
| Manifold Kits 6", 8" & 10"..... | 5-16 |
| Manifold Kits PVC Inline Modular..... | 17-18 |
| Accessory Kit..... | 19 |
| Solenoid & Manual Valve Parts/Kits..... | 20-22 |
| 4" Backwash Valve Parts..... | 23 |
| Pressure Gauge Parts/Kits..... | 24-27 |
| Auto Controller Parts/Kits..... | 28 |
| Pressure Differential Kits..... | 29 |
| Water Uptake Kits..... | 30 |

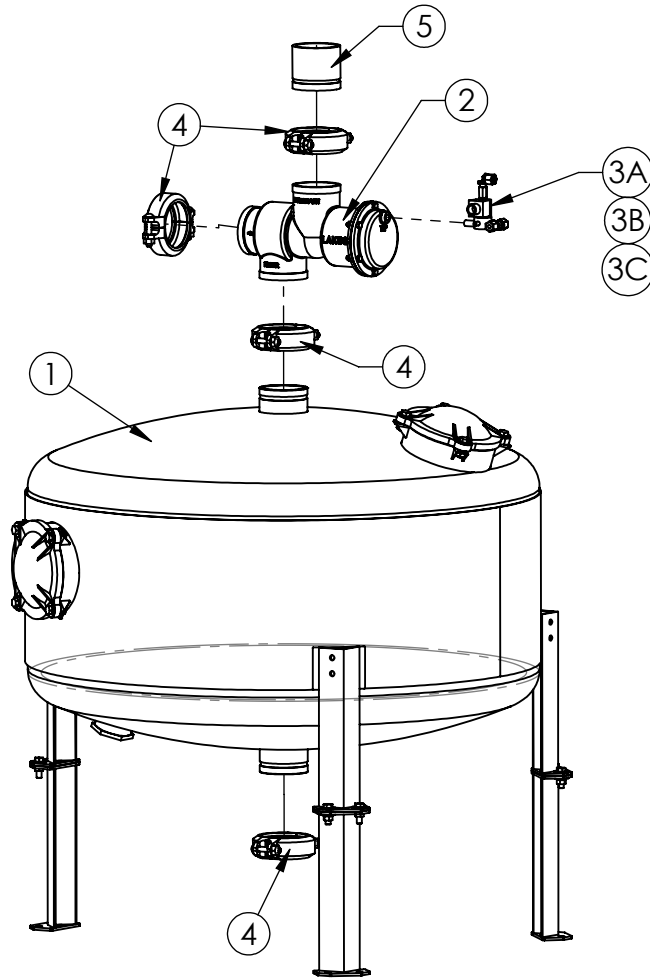
ASSEMBLING COMPONENTS



| ITEM NO. | DESCRIPTION |
|----------|------------------|
| 1 | FILTER TANKS |
| 2 | FILTER TANK KITS |
| 3 | MANIFOLD KITS |
| 4 | ACCESSORY KITS |

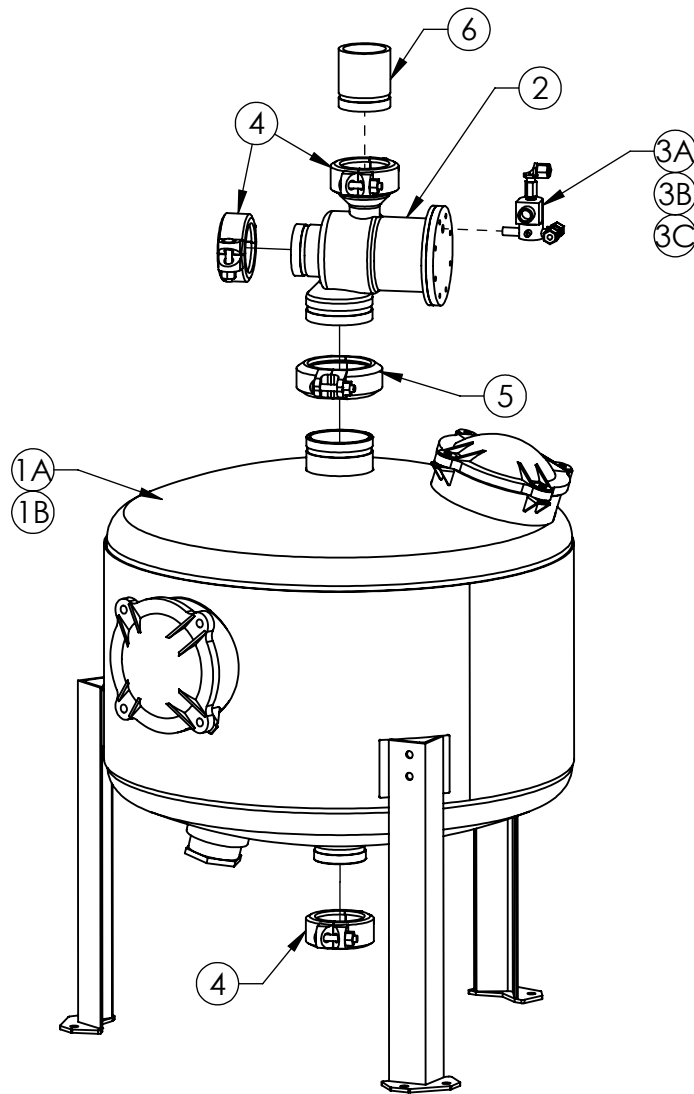
48" TANKS & TANK KITS

NOTE: TANK KIT QUANTITY SHOULD ALWAYS MATCH TANK QUANTITIES ORDERED.



| ITEM NO. | PART NO. | DESCRIPTION | 130135-12VDC | 130136-MANUAL | 130137-12VDC | 128550-12VDC | 129176-MANUAL | 129041-12VDC |
|----------|----------|------------------------------|--------------|---------------|--------------|--------------|---------------|--------------|
| | | | TANKS | TANK KIT | TANKS | TANK KIT | TANKS | TANK KIT |
| 1 | 128074 | PRO II 48" MEDIA TANK | 1 | 1 | 1 | - | - | - |
| 2 | 108030 | BACKWASH VALVE | 1 | 1 | 1 | 1 | 1 | 1 |
| 3A | 106434 | AUTOMATIC SOLENIOD VALVE KIT | 1 | - | - | 1 | - | - |
| 3B | 106438 | MANUAL VALVE KIT (NOT SHOWN) | - | 1 | - | - | 1 | - |
| 3C | 112105 | AUTOMATIC SOLENIOD VALVE KIT | - | - | 1 | - | - | 1 |
| 4 | 105761 | GROOVED COUPLING 4" | 4 | 4 | 4 | 4 | 4 | - |
| 5 | 106578 | PVC GOE NIPPLE 4" LG | 1 | 1 | 1 | 1 | 1 | - |
| | | | | | | QTY | | |

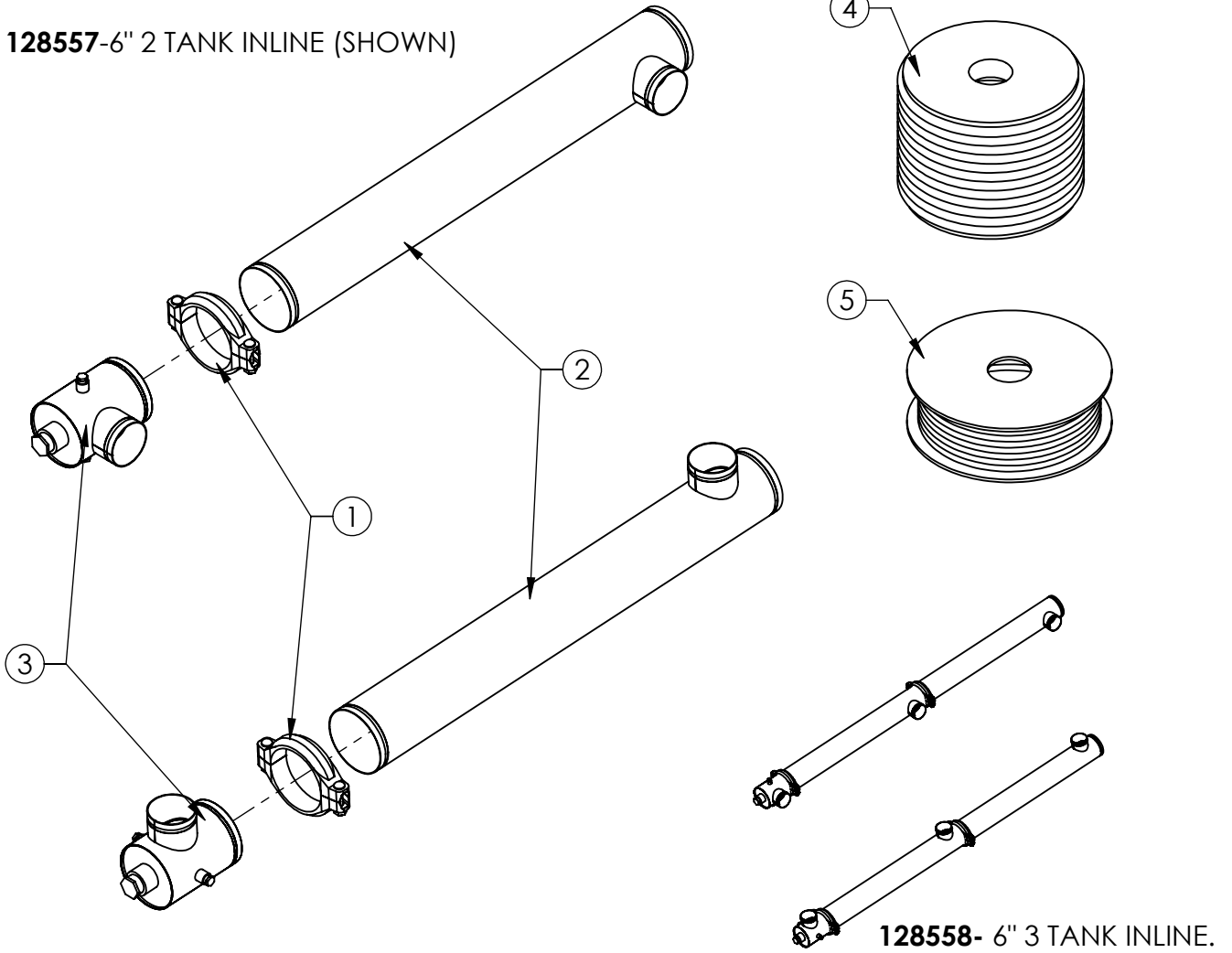
21" & 32" DIA. TANK & TANK KITS



| ITEM NO. | PART NO. | DESCRIPTION | 130141-12VDC | 130142-12VDCL | 130143-MANUAL | 130138-12VDC | 130139-12VDCL | 130140-MANUAL | 129782-12VDC | 129783-MANUAL |
|------------------|----------|-------------------------------------|--------------|---------------|---------------|--------------|---------------|---------------|--------------|---------------|
| | | | | | | | | | | |
| TANKS | | | | | | | | | | |
| 1A | 129406 | 32" FILTER, METRIC 80cm, MEDIA TANK | - | - | - | 1 | 1 | 1 | - | - |
| 1B | 129455 | 21" FILTER, METRIC 53cm, MEDIA TANK | 1 | 1 | 1 | - | - | - | - | - |
| TANK KITS | | | | | | | | | | |
| 2 | 108029 | BACKWASH VALVE | 1 | 1 | 1 | 1 | 1 | 1 | 1 | 1 |
| 3A | 106434 | AUTOMATIC SOLENOID VALVE KIT | 1 | - | - | 1 | - | - | 1 | - |
| 3B | 106438 | MANUAL VALVE KIT (NOT SHOWN) | - | - | 1 | - | - | 1 | - | 1 |
| 3C | 112105 | AUTOMATIC SOLENOID VALVE KIT | - | 1 | - | - | 1 | - | - | - |
| 4 | 105758 | GROOVED COUPLING 3" | 3 | 3 | 3 | 3 | 3 | 3 | 3 | 3 |
| 5 | 105761 | GROOVED COUPLING 4" | 1 | 1 | 1 | 1 | 1 | 1 | 1 | 1 |
| 6 | 106571 | PVC GOE NIPPLE 3" LG | 1 | 1 | 1 | 1 | 1 | 1 | 1 | 1 |
| | | | QTY | | | | | | | |

MANIFOLD KITS 6" INLINE MODULAR

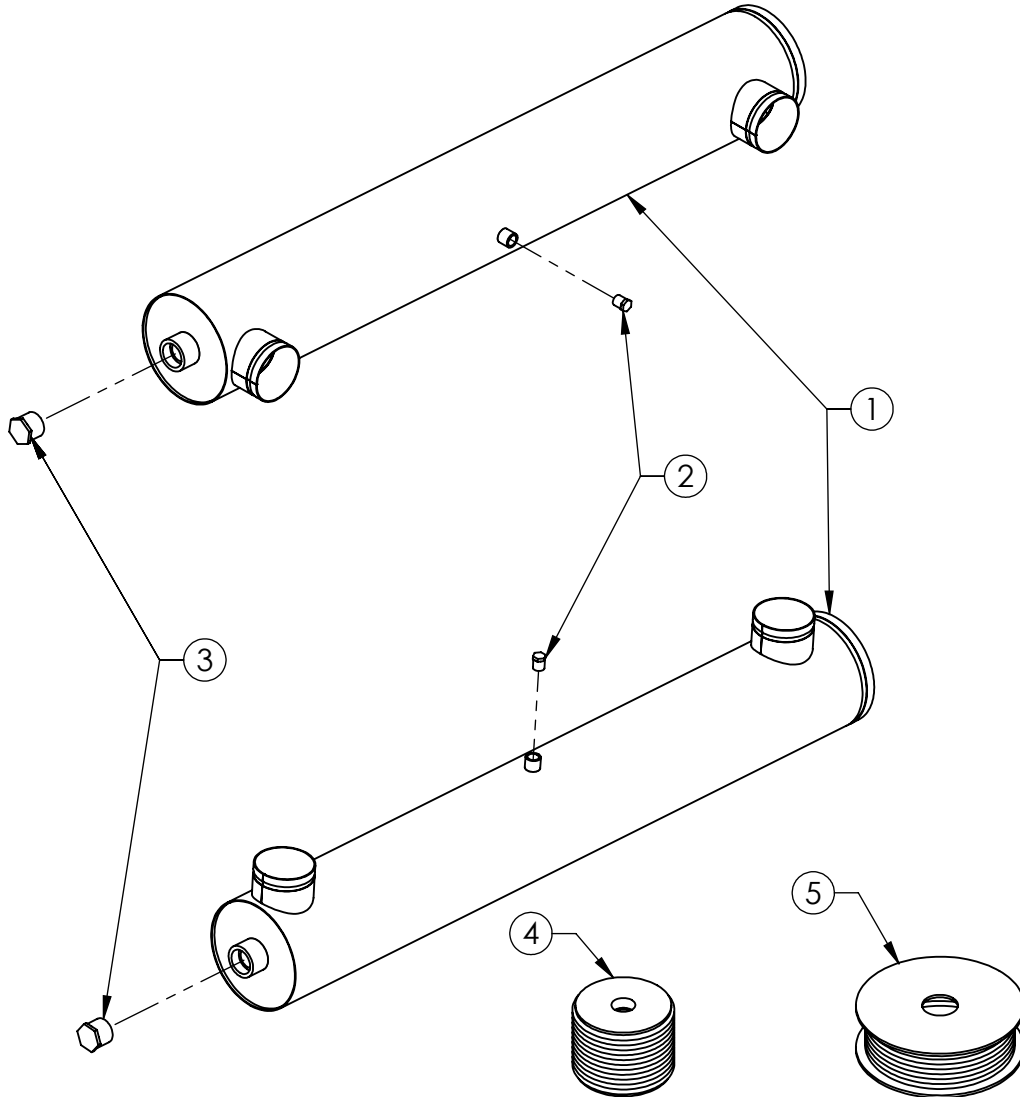
128557-6" 2 TANK INLINE (SHOWN)



| ITEM NO. | PART NO. | DESCRIPTION | 128557-6" 2 TANK INLINE | 128558-6" 3 TANK INLINE | 128559-6" 4 TANK INLINE | 128945-6" PLUS 1 TANK KIT |
|----------|----------|---------------------------|-------------------------|-------------------------|-------------------------|---------------------------|
| 1 | 105765 | GROOVED COUPLINGS 6" | 2 | 4 | 6 | 2 |
| 2 | 112460 | TANK CONNECTING MANIFOLDS | 2 | 4 | 6 | 2 |
| 3 | 128403 | TANK END MANIFOLDS | 2 | 2 | 2 | - |
| 4 | 107929 | BLACK TUBING-3/8" DIA. | 40FT | 60FT | 80FT | 20FT |
| 5 | 108172 | WIRE-18 AWG, 2 CONDUCTOR | 30FT | 45FT | 60FT | 15FT |
| | | | QTY | | | |

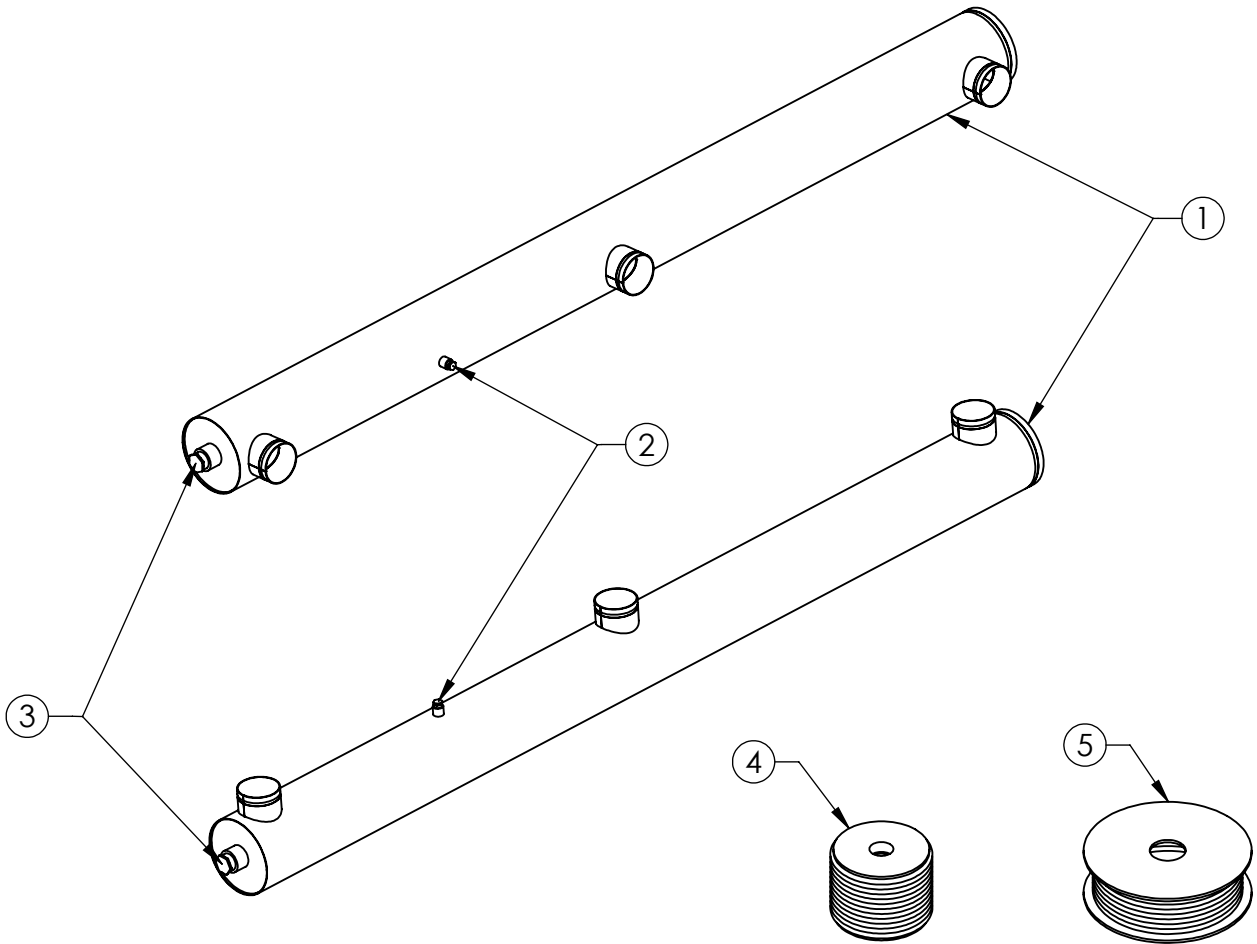
NOTE: System can be EXPANDED easily by adding more filter tanks and additional lengths of manifold, Use kit number 128945.

MANIFOLD KITS 8" INLET 2 TANK INLINE



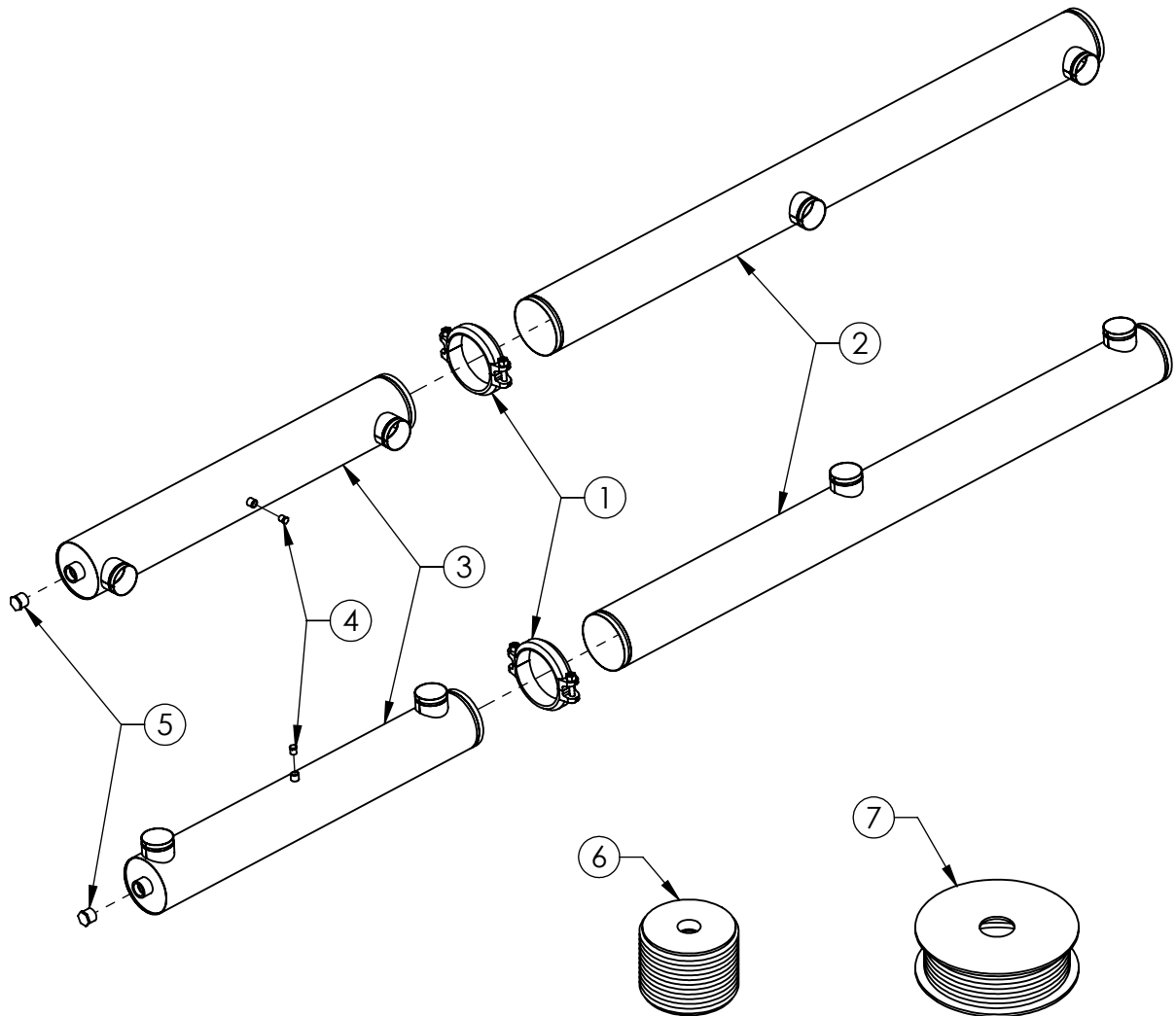
| ITEM NO. | PART NO. | DESCRIPTION | 130438-8" 2 TANK INLINE QTY. |
|----------|----------|---------------------------|------------------------------------|
| 1 | 113589 | MANIFOLD, TANK END OUTLET | 2 |
| 2 | 107230 | PLUG, NPT 1/2" | 2 |
| 3 | 107223 | PLUG, NPT 1-1/2" | 2 |
| 4 | 107929 | BLACK TUBING 3/8" DIA. | 40 FT |
| 5 | 108172 | WIRE 18 AWG, 2 CONDUCTOR | 30 FT |
| | | | QTY. |

MANIFOLD KITS 8" INLINE 3 TANK



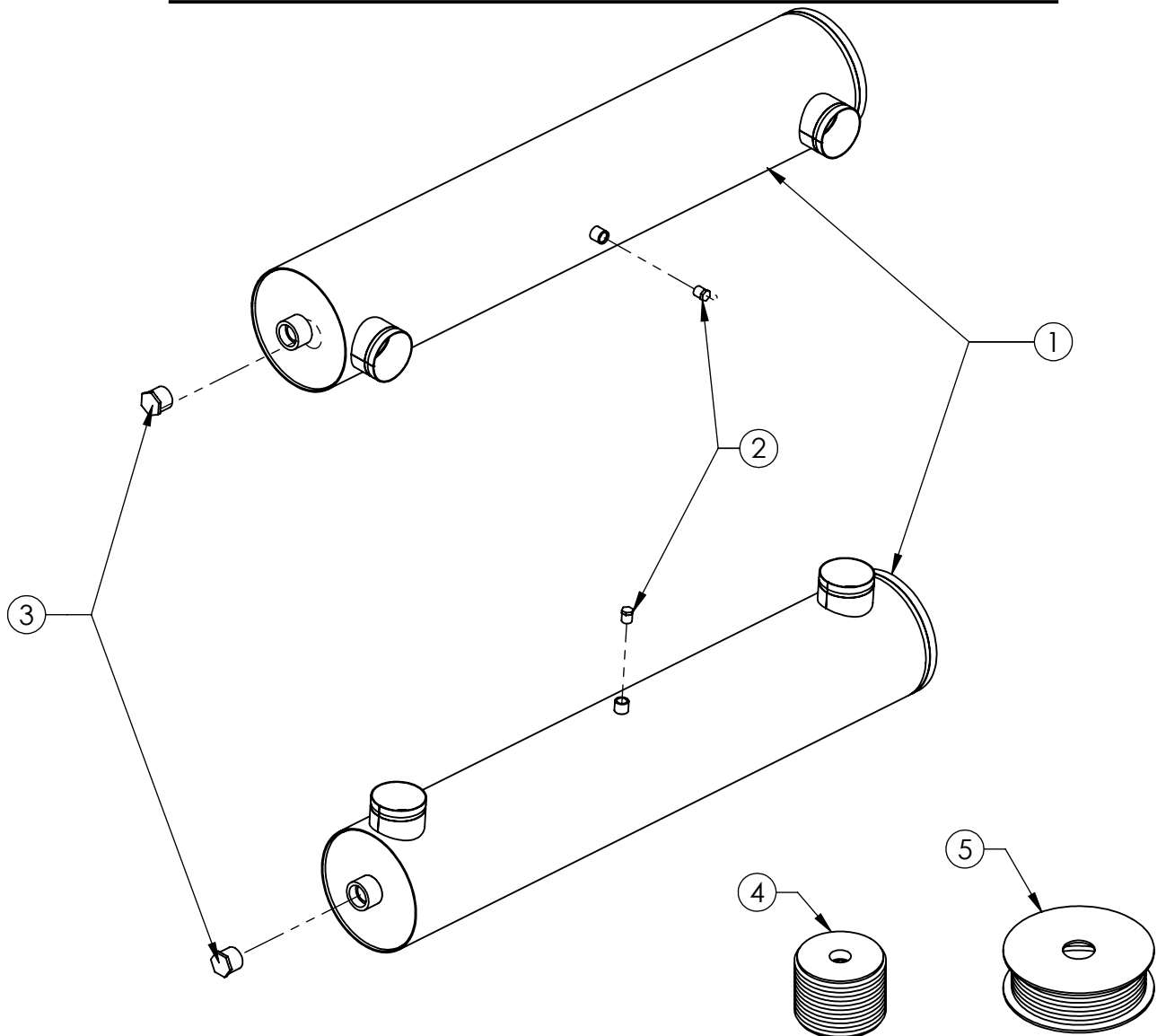
| ITEM NO. | PART NO. | DESCRIPTION | 130253 8" 3 TANK INLINE |
|----------|----------|--------------------------|-------------------------|
| 1 | 111758 | TANK OUTLET MANIFOLD | 2 |
| 2 | 107230 | PLUG, NPT 1/2" | 2 |
| 3 | 107223 | PLUG, NPT 1-1/2" | 2 |
| 4 | 107929 | BLACK TUBING 3/8" DIA. | 60 FT |
| 5 | 108172 | WIRE 18 AWG, 2 CONDUCTOR | 45 FT |
| | | | QTY |

MANIFOLD KITS 8" INLET 4 TANK INLINE SEMI MODULAR



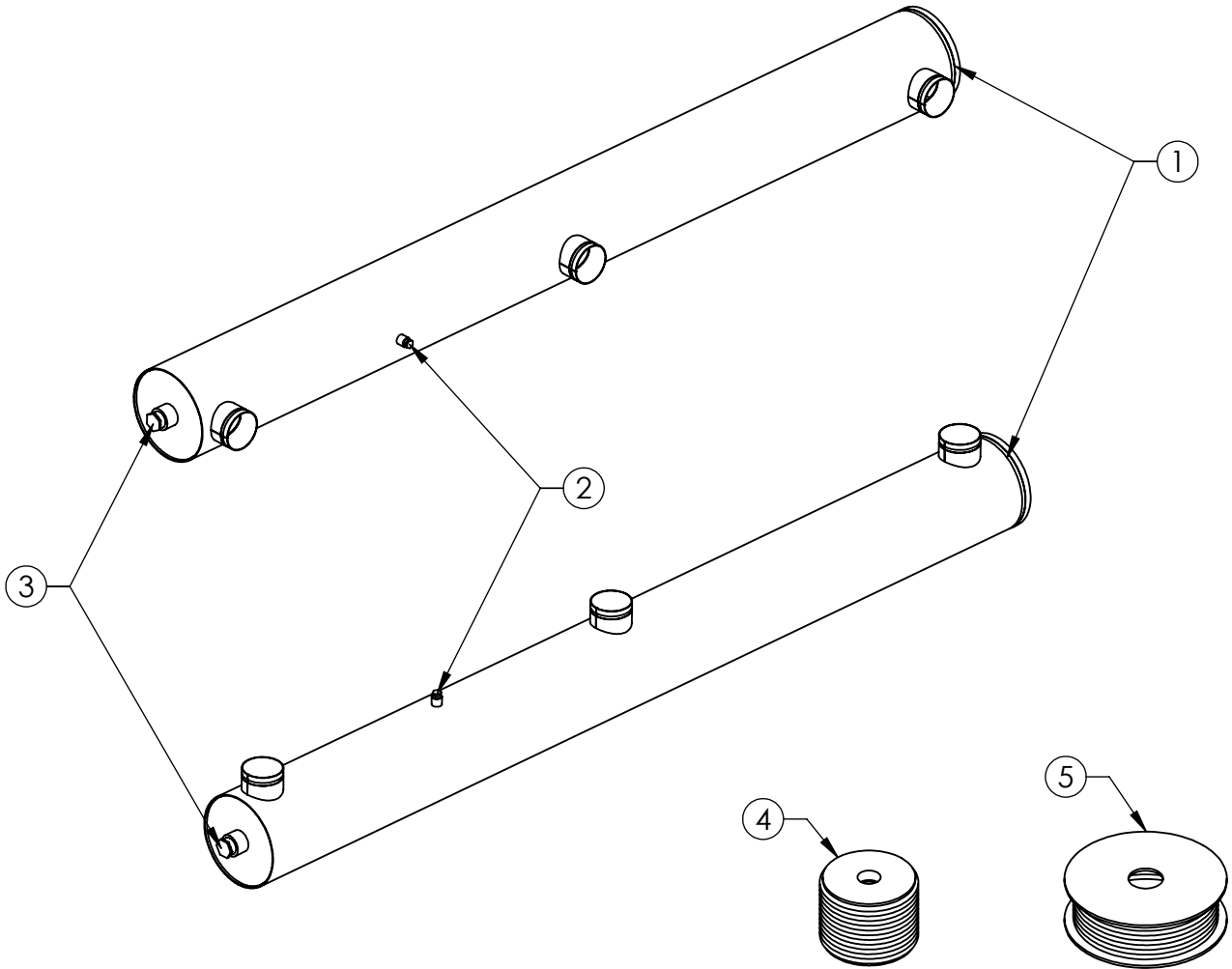
| ITEM NO. | PART NO. | DESCRIPTION | 128949-8" 4 TANK INLINE |
|----------|----------|---------------------------|-------------------------|
| 1 | 105767 | COUPLING GROOVE 8" | 2 |
| 2 | 121064 | MANIFOLD, TANK CONNECTOR | 2 |
| 3 | 113589 | MANIFOLD, TANK END OUTLET | 2 |
| 4 | 107230 | PLUG, NPT 1/2" | 2 |
| 5 | 107223 | PLUG, NPT 1-1/2" | 2 |
| 6 | 107929 | BLACK TUBING 3/8" DIA. | 80 FT |
| 7 | 108172 | WIRE 18 AWG, 2 CONDUCTOR | 60 FT |
| | | | QTY. |

MANIFOLD KITS 10" INLET 2 TANK INLINE



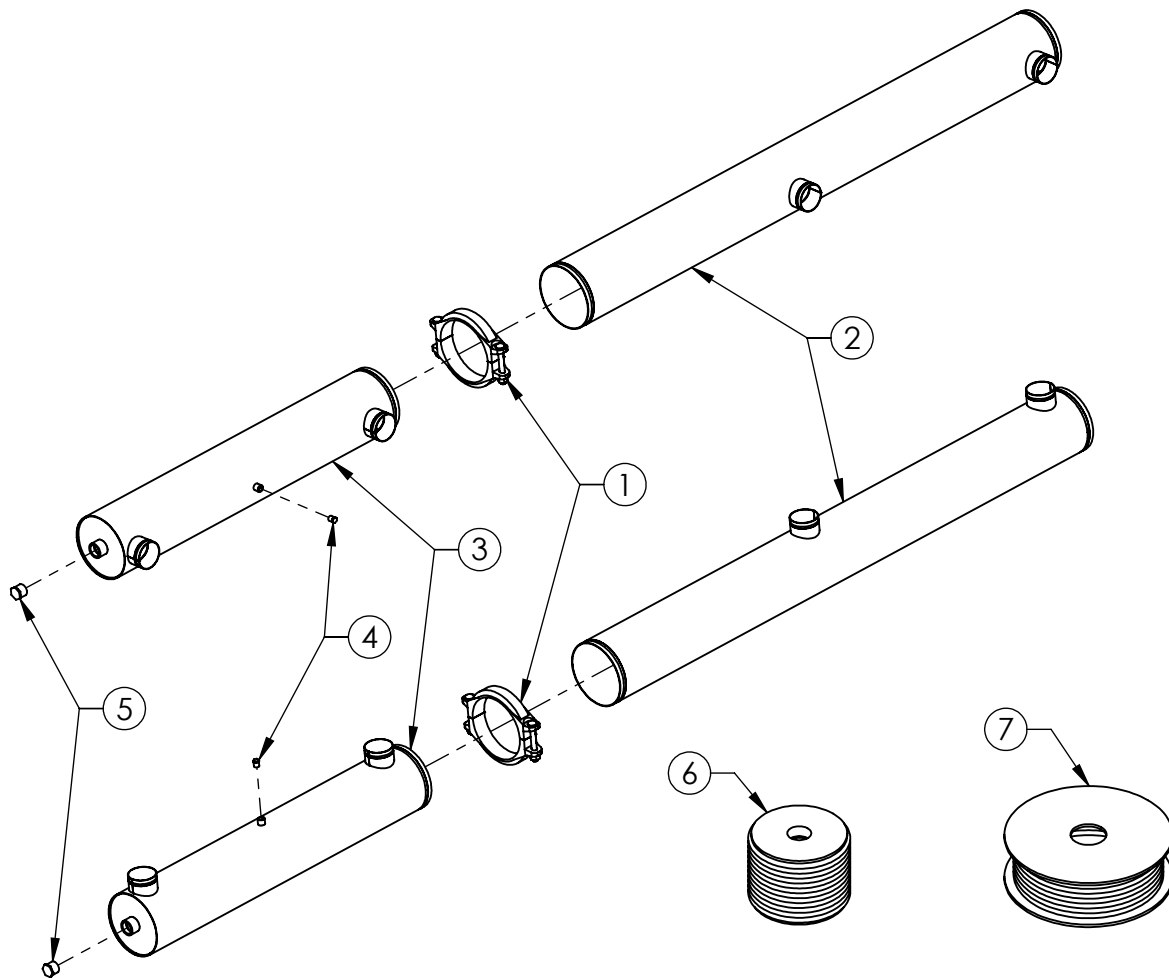
| ITEM NO. | PART NO. | DESCRIPTION | 129385-10" 2 TANK INLINE |
|----------|----------|---------------------------|--------------------------|
| 1 | 116548 | MANIFOLD, TANK END OUTLET | 2 |
| 2 | 107230 | PLUG, NPT 1/2" | 2 |
| 3 | 107223 | PLUG, NPT 1-1/2" | 2 |
| 4 | 107929 | BLACK TUBING 3/8" DIA. | 40 FT |
| 5 | 108172 | WIRE 18 AWG, 2 CONDUCTOR | 30 FT |
| | | | QTY. |

MANIFOLD KITS 10" 3 TANK INLINE



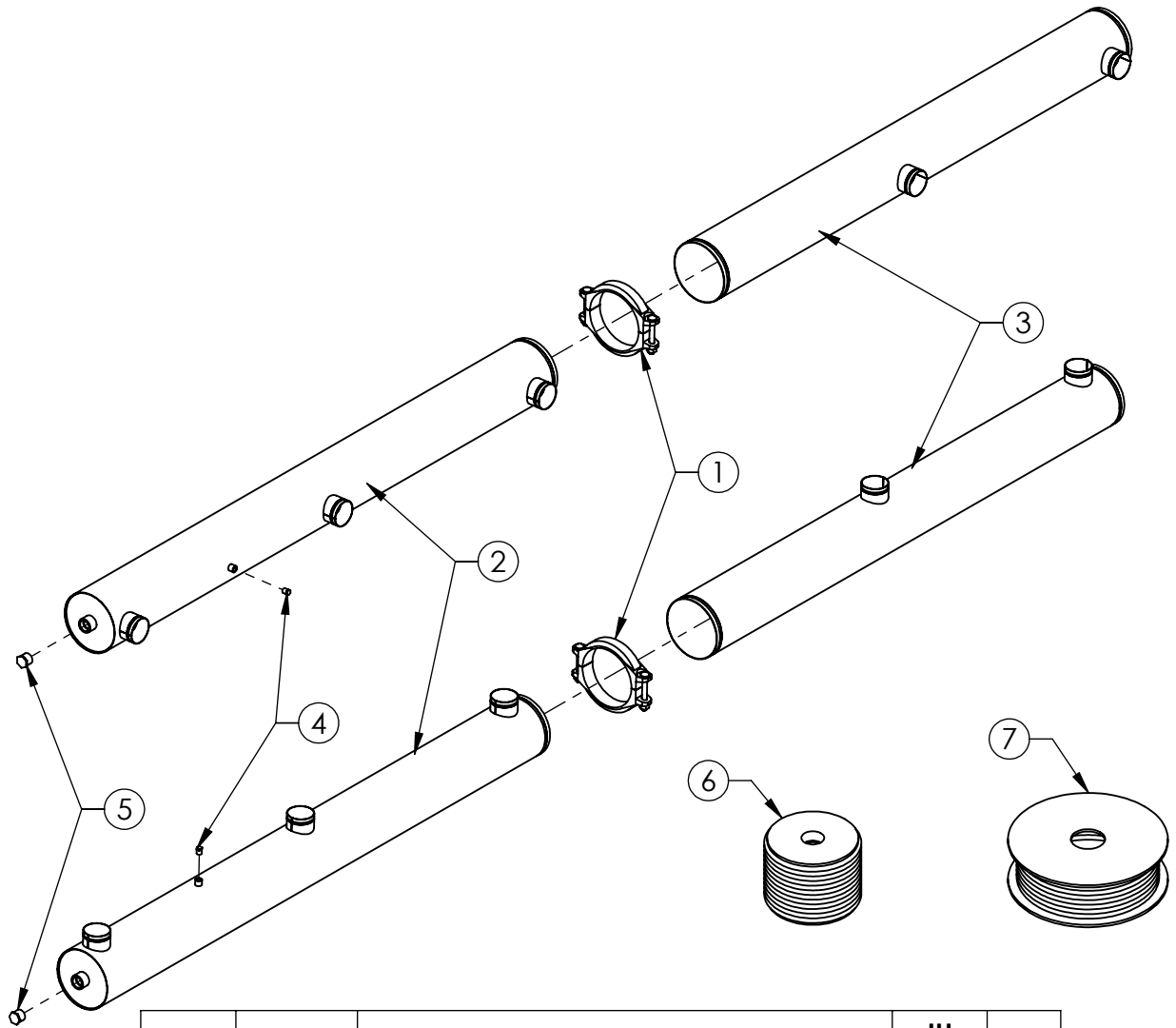
| ITEM NO. | PART NO. | DESCRIPTION | 128950 10" 3 TANK INLINE |
|----------|----------|--------------------------|--------------------------|
| 1 | 116612 | TANK OUTLET MANIFOLD | 2 |
| 2 | 107230 | PLUG, NPT 1/2" | 2 |
| 3 | 107223 | PLUG, NPT 1-1/2" | 2 |
| 4 | 107929 | BLACK TUBING 3/8" DIA. | 60 FT |
| 5 | 108172 | WIRE 18 AWG, 2 CONDUCTOR | 45 FT |
| | | | QTY |

MANIFOLD KITS 10" 4 TANK INLINE SEMI MODULAR



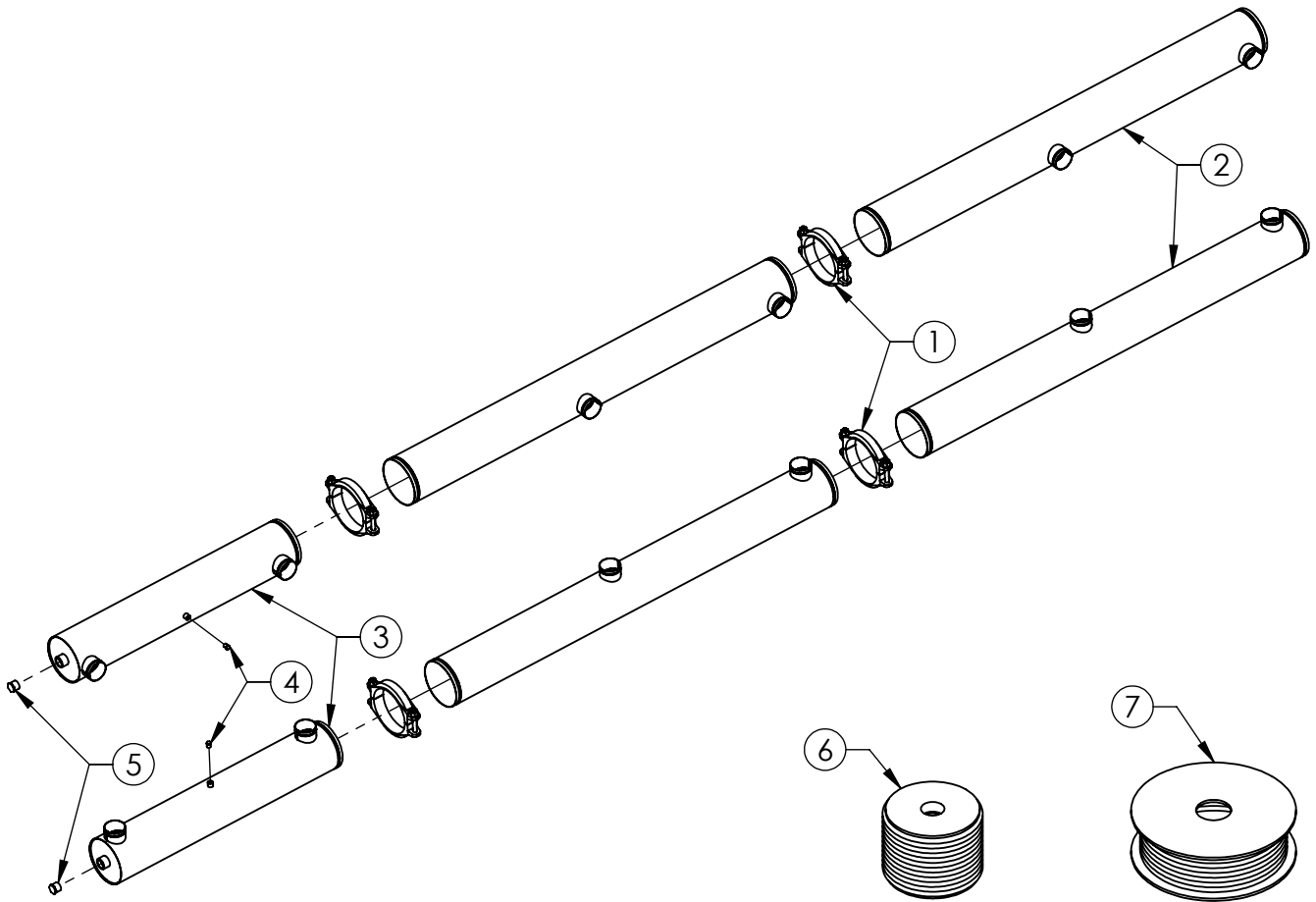
| ITEM NO. | PART NO. | DESCRIPTION | 128946-10" 4 TANK INLINE |
|----------|----------|--------------------------|--------------------------|
| 1 | 105768 | GROOVED COUPLING 10" | 2 |
| 2 | 128951 | TANK CONNECTING MANIFOLD | 2 |
| 3 | 116548 | TANK OUTLET MANIFOLD | 2 |
| 4 | 107230 | PLUG, NPT 1/2" | 2 |
| 5 | 107223 | PLUG, NPT 1-1/2" | 2 |
| 6 | 107929 | BLACK TUBING 3/8" DIA. | 80 FT |
| 7 | 108172 | WIRE 18 AWG, 2 CONDUCTOR | 60 FT |
| | | | QTY |

MANIFOLD KITS 10" 5 TANK INLINE SEMI MODULAR



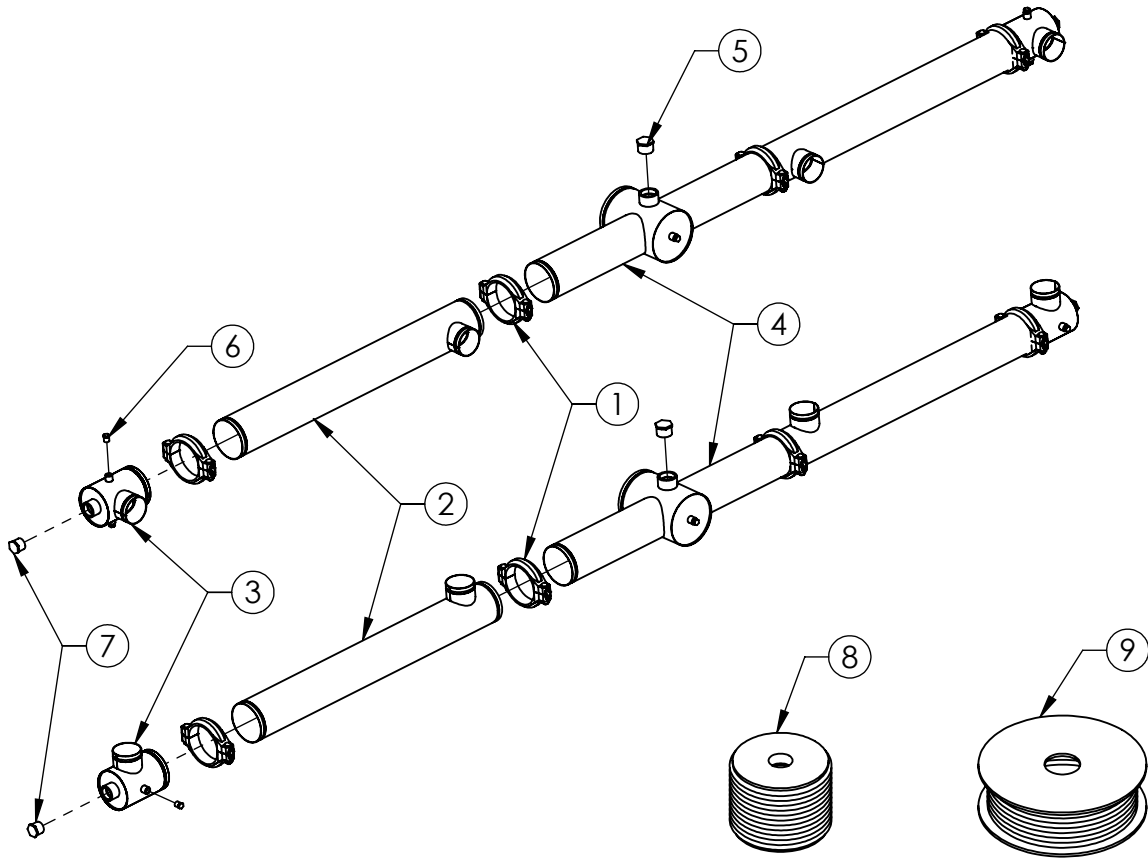
| ITEM NO. | PART NO. | DESCRIPTION | 128947-10" 5 TANK INLINE | 130019-10" 5 TANK REPLACEMENT |
|----------|----------|----------------------------------|--------------------------|-------------------------------|
| 1 | 105768 | GROOVED COUPLINGS | 2 | 1 |
| 2 | 116612 | TANK MANIFOLD OUTLETS | 2 | 1 |
| 3 | 128951 | TANK CONNECTION MANIFOLD | 2 | 1 |
| 4 | 107230 | PLUG, NPT 1/2" | 2 | 1 |
| 5 | 107223 | PLUG, NPT 1-1/2" | 2 | 1 |
| 6 | 107929 | BLACK TUBING 3/8" DIA. | 100 FT | - |
| 7 | 108172 | WIRE 18 AWG, 2 CONDUCTOR | 75 FT | - |
| 8 | 128406 | BUSHING, REDUCER 1-1/2 x 1/2 NPT | - | 1 |
| | | | QTY | |

MANIFOLD KITS 10" 6 TANK INLINE SEMI MODULAR



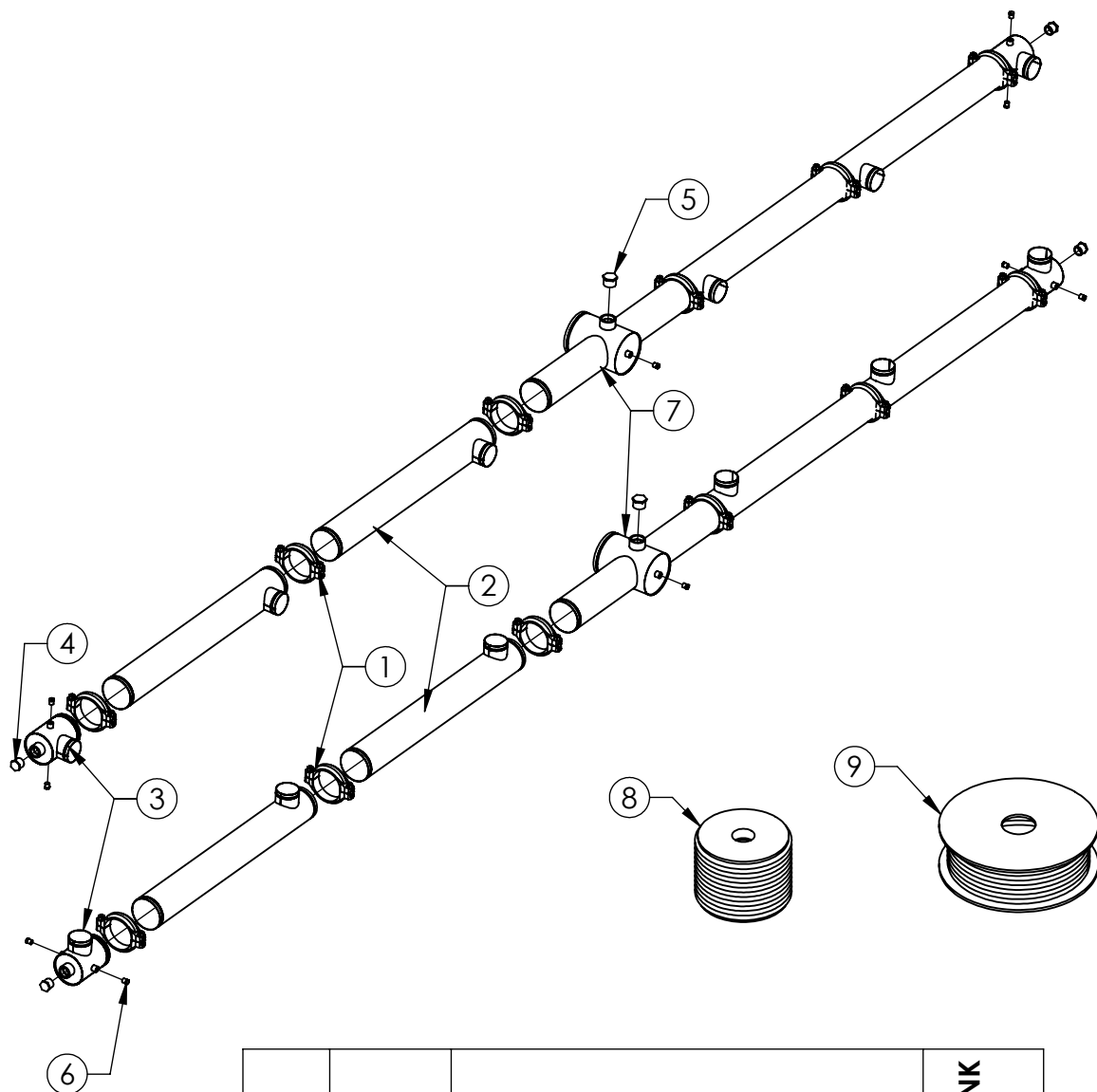
| ITEM NO. | PART NO. | DESCRIPTION | 128948-10" 6 TANK INLINE |
|----------|----------|--------------------------|--------------------------|
| 1 | 105768 | GROOVED COUPLING 10" | 4 |
| 2 | 128951 | TANK CONNECTING MANIFOLD | 4 |
| 3 | 116548 | TANK OUTLET MANIFOLD | 2 |
| 4 | 107230 | PLUG, NPT 1/2" | 2 |
| 5 | 107223 | PLUG, NPT 1-1/2" | 2 |
| 6 | 107929 | BLACK TUBING 3/8" DIA. | 120 FT |
| 7 | 108172 | WIRE 18 AWG, 2 CONDUCTOR | 80 FT |
| | | | QTY |

MANIFOLD KITS 8" INLET 4 TANK CENTER FEED MODULAR



| ITEM NO. | PART NO. | DESCRIPTION | 128736-8" 4 TANK CENTER FEED |
|----------|----------|---------------------------|------------------------------|
| 1 | 105765 | COUPLING GROOVE 6" | 8 |
| 2 | 112460 | MANIFOLD, TANK CONNECTOR | 4 |
| 3 | 129403 | MANIFOLD, TANK END OUTLET | 4 |
| 4 | 107908 | TEE, MEDIA TANK 6x6x8 | 2 |
| 5 | 107224 | PLUG, NPT 2" PVC | 2 |
| 6 | 107230 | PLUG, NPT 1/2" PVC | 8 |
| 7 | 107223 | PLUG, NPT 1-1/2" PVC | 4 |
| 8 | 107929 | BLACK TUBING 3/8" DIA. | 80 FT |
| 9 | 108172 | WIRE 18 AWG, 2 CONDUCTOR | 60 FT |
| | | | QTY |

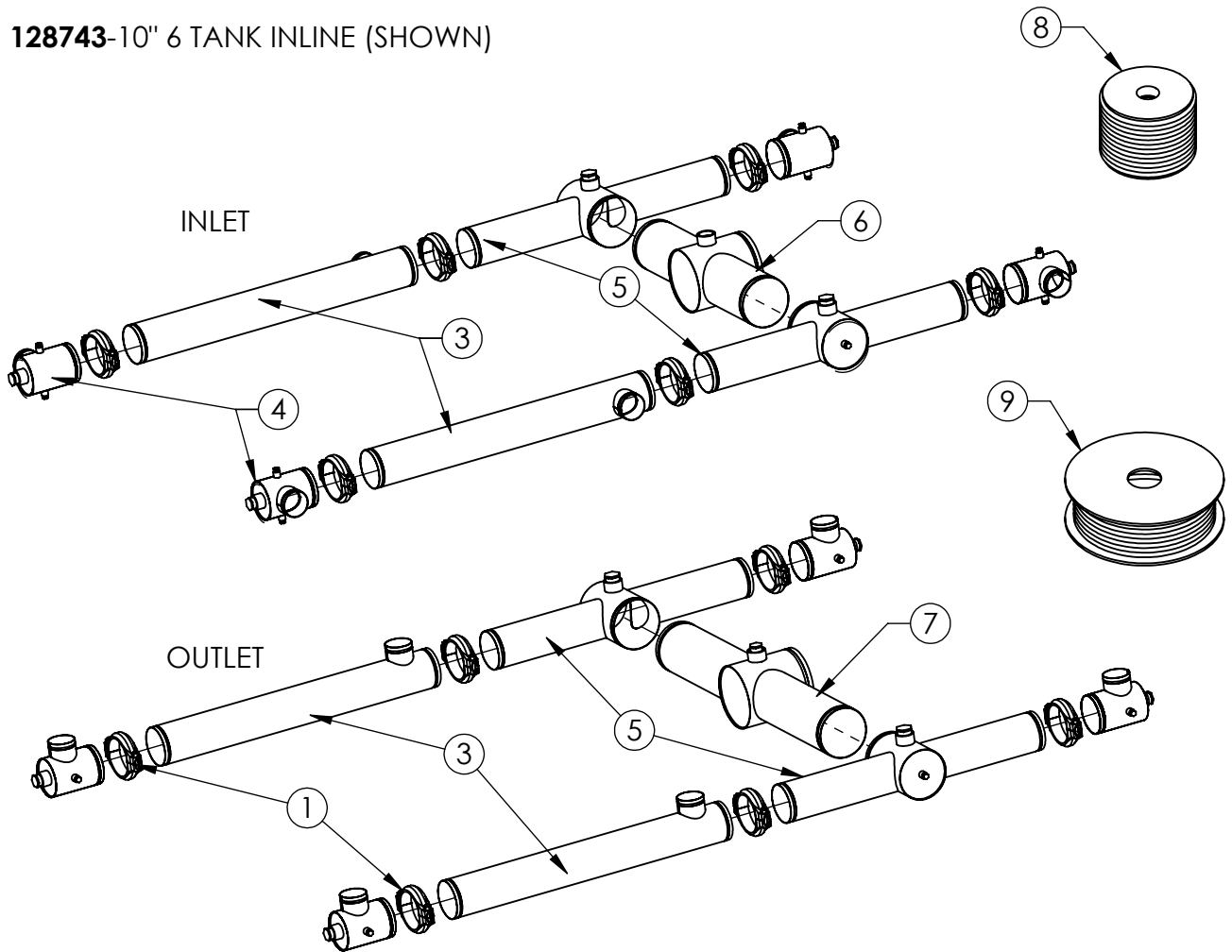
MANIFOLD KITS 8" INLET 6 TANK CENTER FEED MODULAR



| ITEM NO. | PART NO. | DESCRIPTION | 128738-8" 6 TANK CENTER FEED |
|----------|----------|--------------------------|------------------------------|
| 1 | 105765 | COUPLING GROOVE 6" | 12 |
| 2 | 112460 | MANIFOLD, TANK CONNECTOR | 8 |
| 3 | 128403 | MANIFOLD, TANK END | 4 |
| 4 | 107232 | PLUG, NPT 1-1/2" | 4 |
| 5 | 107224 | PLUG, NPT 2" PVC | 2 |
| 6 | 107230 | PLUG, NPT 1/2" PVC | 10 |
| 7 | 107908 | TEE, MEDIA TANK 6x6x8 | 2 |
| 8 | 107929 | BLACK TUBING 3/8" DIA. | 120 FT |
| 9 | 108172 | WIRE 18 AWG, 2 CONDUCTOR | 90 FT |
| | | | QTY. |

MANIFOLD KITS 10" H-PATTERN MODULAR

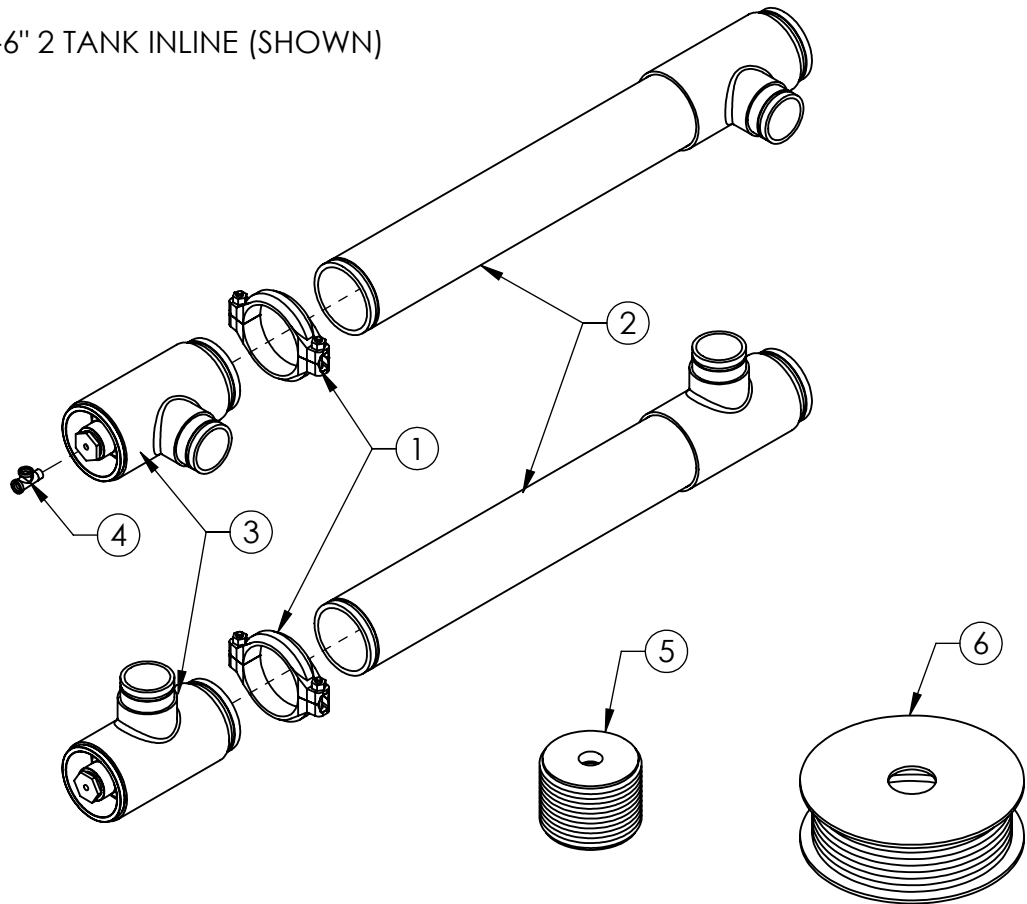
128743-10" 6 TANK INLINE (SHOWN)



| ITEM NO. | PART NO. | DESCRIPTION | 128743-10" 6 TANK H Pattern |
|----------|----------|--------------------------|--------------------------------|
| 1 | 105765 | COUPLING, GROOVED 6" | 12 |
| 2 | 105767 | COUPLING, GROOVED 8" | 4 |
| 3 | 112460 | MANIFOLD, TANK CONNECTOR | 4 |
| 4 | 128403 | MANIFOLD, TANK END | 8 |
| 5 | 107908 | TEE, MEDIA TANK 6x6x8 | 4 |
| 6 | 113105 | TEE, MEDIA TANK INLET | 1 |
| 7 | 113106 | TEE, MEDIA TANK OUTLET | 1 |
| 8 | 107929 | BLACK TUBING 3/8" DIA. | 120 FT |
| 9 | 108172 | WIRE 18 AWG, 2 CONDUCTOR | 90 FT |
| | | | QTY |

MANIFOLD KITS 6" PVC INLINE MODULAR

130182-6" 2 TANK INLINE (SHOWN)

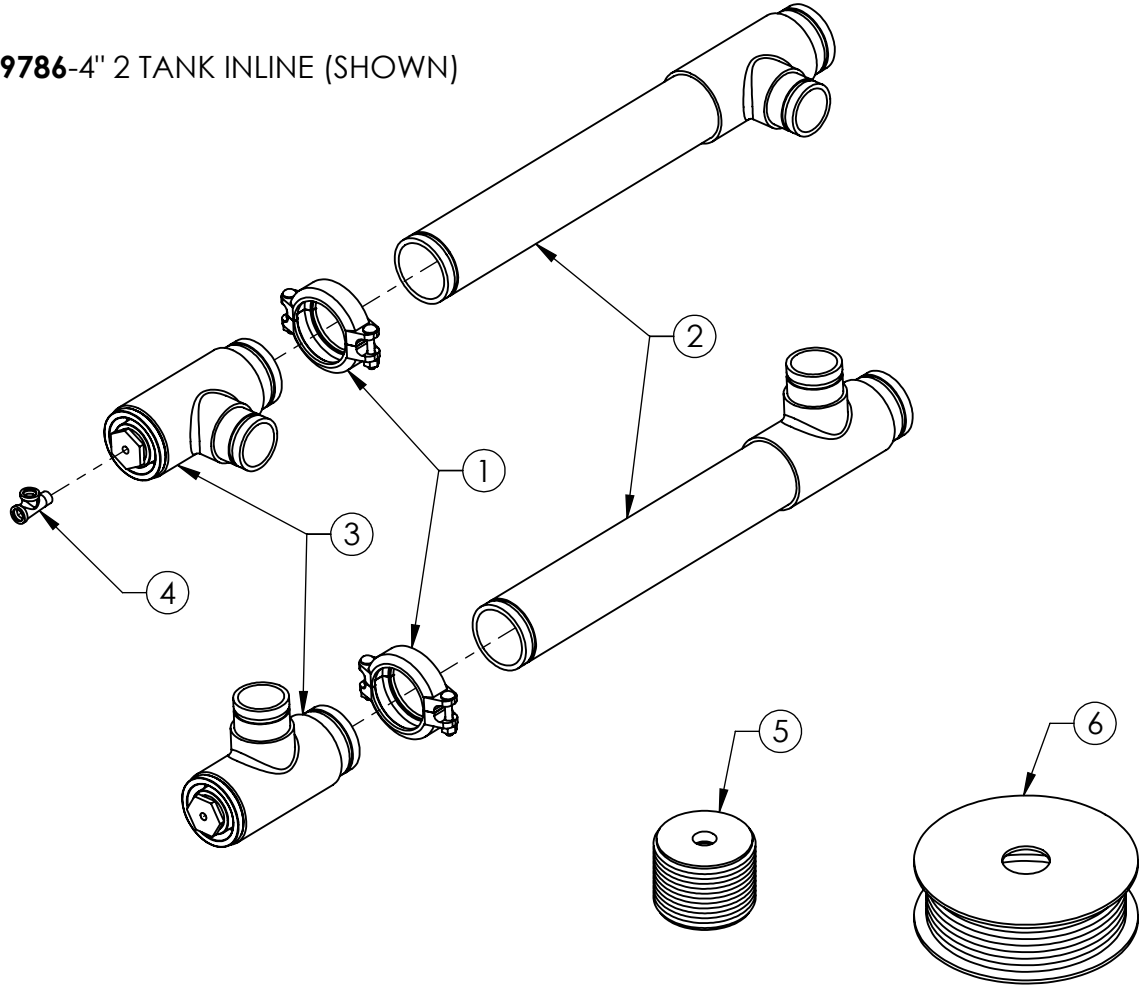


| ITEM NO. | PART NO. | DESCRIPTION | 130182-6" 2 TANK INLINE | 130183-6" 3 TANK INLINE | 130236-6" PLUS 1 TANK KIT |
|----------|----------|--------------------------|-------------------------|-------------------------|---------------------------|
| 1 | 105765 | GROOVED COUPLING 6" | 2 | 4 | 2 |
| 2 | 130177 | TANK CONNECTING MANIFOLD | 2 | 4 | 2 |
| 3 | 130162 | TANK END MANIFOLD | 2 | 2 | - |
| 4 | 115216 | STREET TEE 1/2" NPT | 1 | 1 | - |
| 5 | 107929 | BLACK TUBING-3/8" DIA. | 40 FT | 60 FT | 20 FT |
| 6 | 108172 | WIRE-18 AWG, 2 CONDUCTOR | 30 FT | 45 FT | 15 FT |
| | | | QTY. | | |

NOTE: System can be EXPANDED easily by adding more filter tanks and additional lengths of manifold, Use kit number 130236.

MANIFOLD KITS 4" PVC INLINE MODULAR

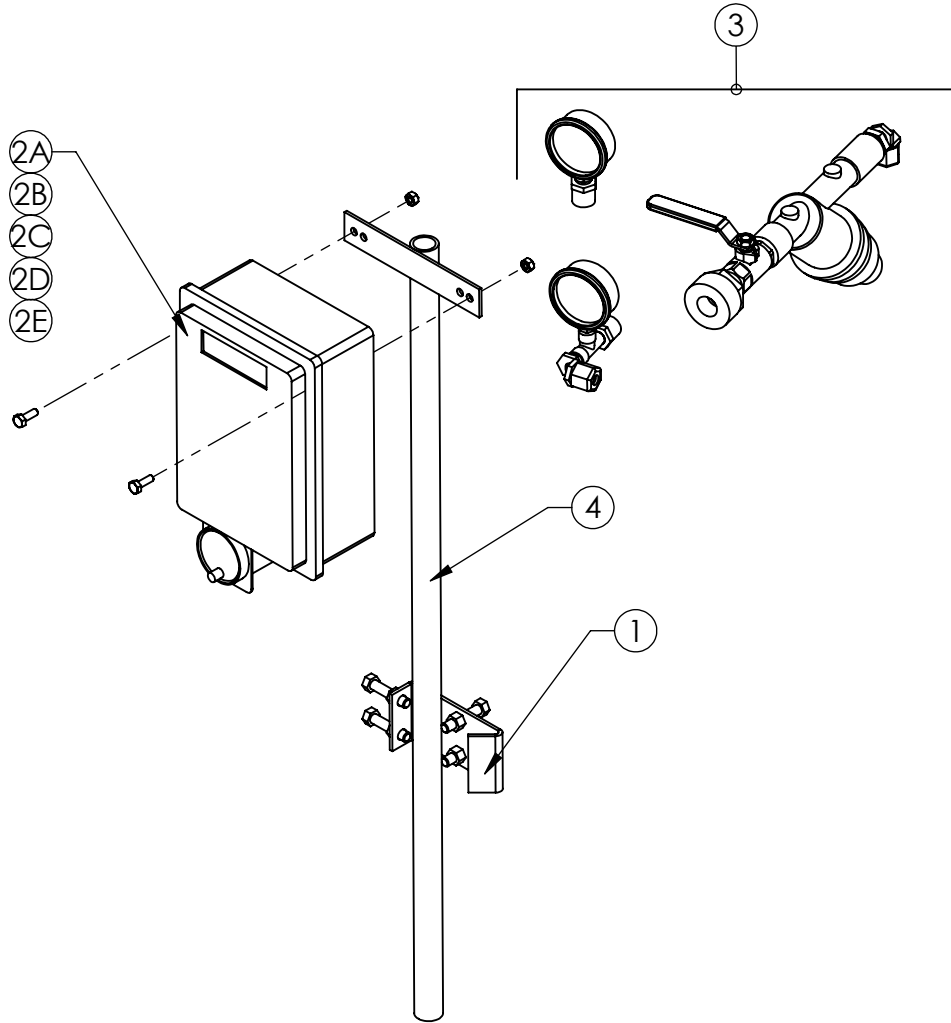
129786-4" 2 TANK INLINE (SHOWN)



| ITEM NO. | PART NO. | DESCRIPTION | 129786-4" 2 TANK INLINE | 129787-4" 3 TANK INLINE | 129992-4" PLUS 1 TANK KIT |
|----------|----------|--------------------------|-------------------------|-------------------------|---------------------------|
| 1 | 105761 | GROOVED COUPLING 4" | 2 | 4 | 2 |
| 2 | 129785 | TANK CONNECTING MANIFOLD | 2 | 4 | 2 |
| 3 | 129784 | TANK END MANIFOLD | 2 | 2 | - |
| 4 | 115216 | STREET TEE 1/2" NPT | 1 | 1 | - |
| 5 | 107929 | BLACK TUBING-3/8" DIA. | 40 FT | 60 FT | 20 FT |
| 6 | 108172 | WIRE-18 AWG, 2 CONDUCTOR | 30 FT | 45 FT | 15 FT |
| | | | QTY. | | |

NOTE: System can be EXPANDED easily by adding more filter tanks and additional lengths of manifold, Use kit number 129992.

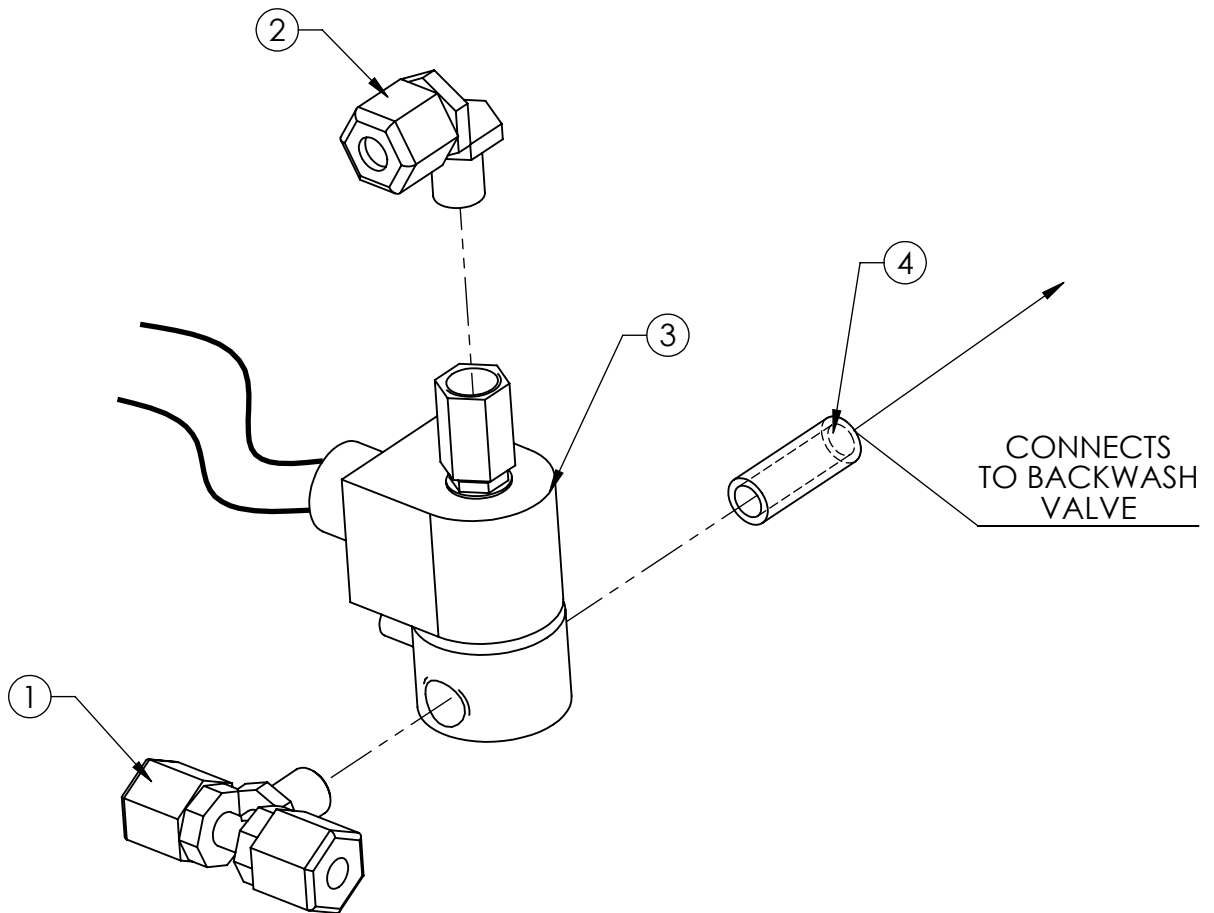
ACCESSORY KIT



| ITEM NO. | PART NO. | DESCRIPTION | | | | | | |
|----------|----------|-------------------------|----------------------|----------------------|----------------------|----------------------|----------------------|-------------------------------|
| | | | 129756-L8 CONTROLLER | 128556-F2 CONTROLLER | 128565-F3 CONTROLLER | 128566-F4 CONTROLLER | 128567-F8 CONTROLLER | 128579-MANUAL / NO CONTROLLER |
| 1 | 105702 | TANK LEG BRACKET | 1 | 1 | 1 | 1 | 1 | - |
| 2A | 129755 | L8-AC/DC/DCL CONTROLLER | 1 | - | - | - | - | - |
| 2B | 105728 | F2-AC/DC-D/P CONTROLLER | - | 1 | - | - | - | - |
| 2C | 112506 | F3-AC/DC/DCL CONTROLLER | - | - | 1 | - | - | - |
| 2D | 113846 | F4-AC/DC/DCL CONTROLLER | - | - | - | 1 | - | - |
| 2E | 113847 | F8-AC/DC/DCL CONTROLLER | - | - | - | - | 1 | - |
| 3 | 128409 | MEDIA KIT | 1 | 1 | 1 | 1 | 1 | 1 |
| 4 | 112542 | TEE BRACKET, SS | 1 | 1 | 1 | 1 | 1 | - |
| | | | QTY. | | | | | |

AUTOMATIC SOLENOID VALVE KIT

(12V-DC)

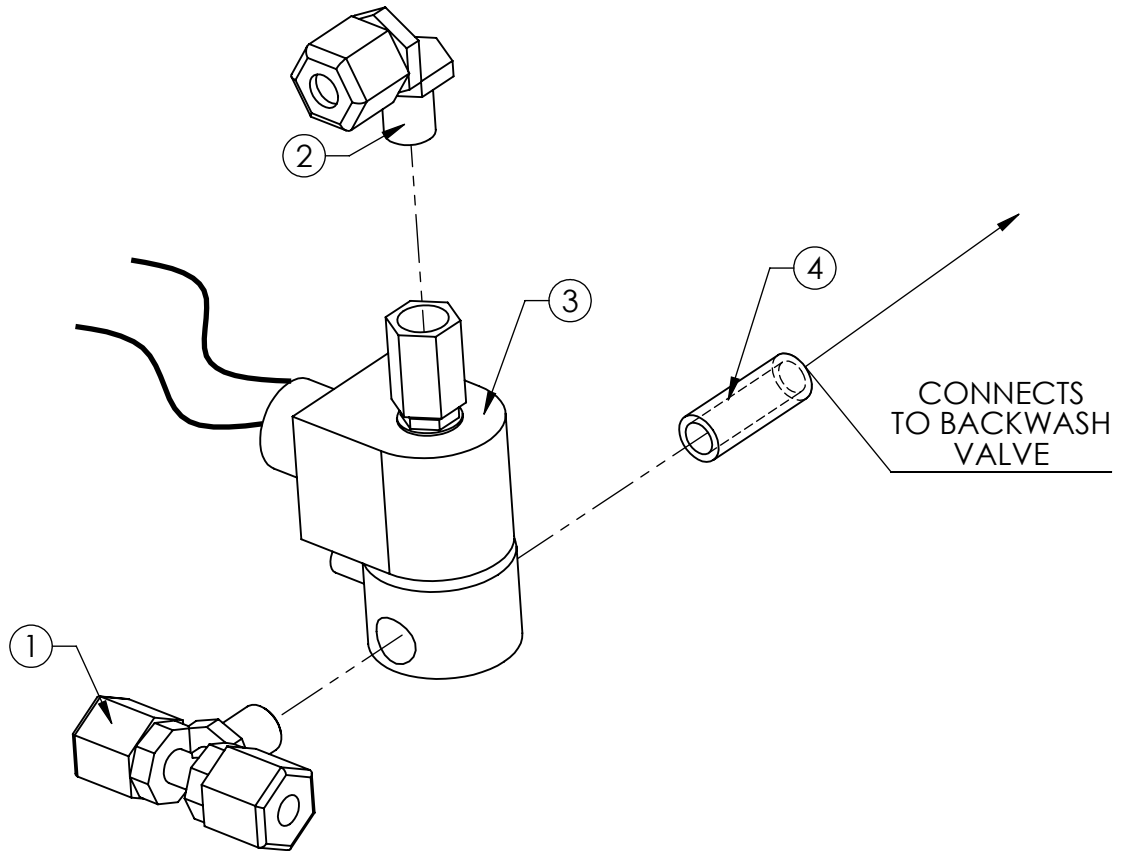


KIT PART # 106434

| ITEM | PART NO. | DESCRIPTION |
|------|----------|----------------------------|
| 1 | 107914 | TEE, 1/4" x 3/8" POLY |
| 2 | 111063 | ELBOW, 1/4" x 3/8" POLY |
| 3 | 108131 | VALVE, SOLENOID |
| 4 | 106600 | NIPPLE, 1/4" x 1-1/2" S.S. |

AUTOMATIC SOLENOID VALVE KIT

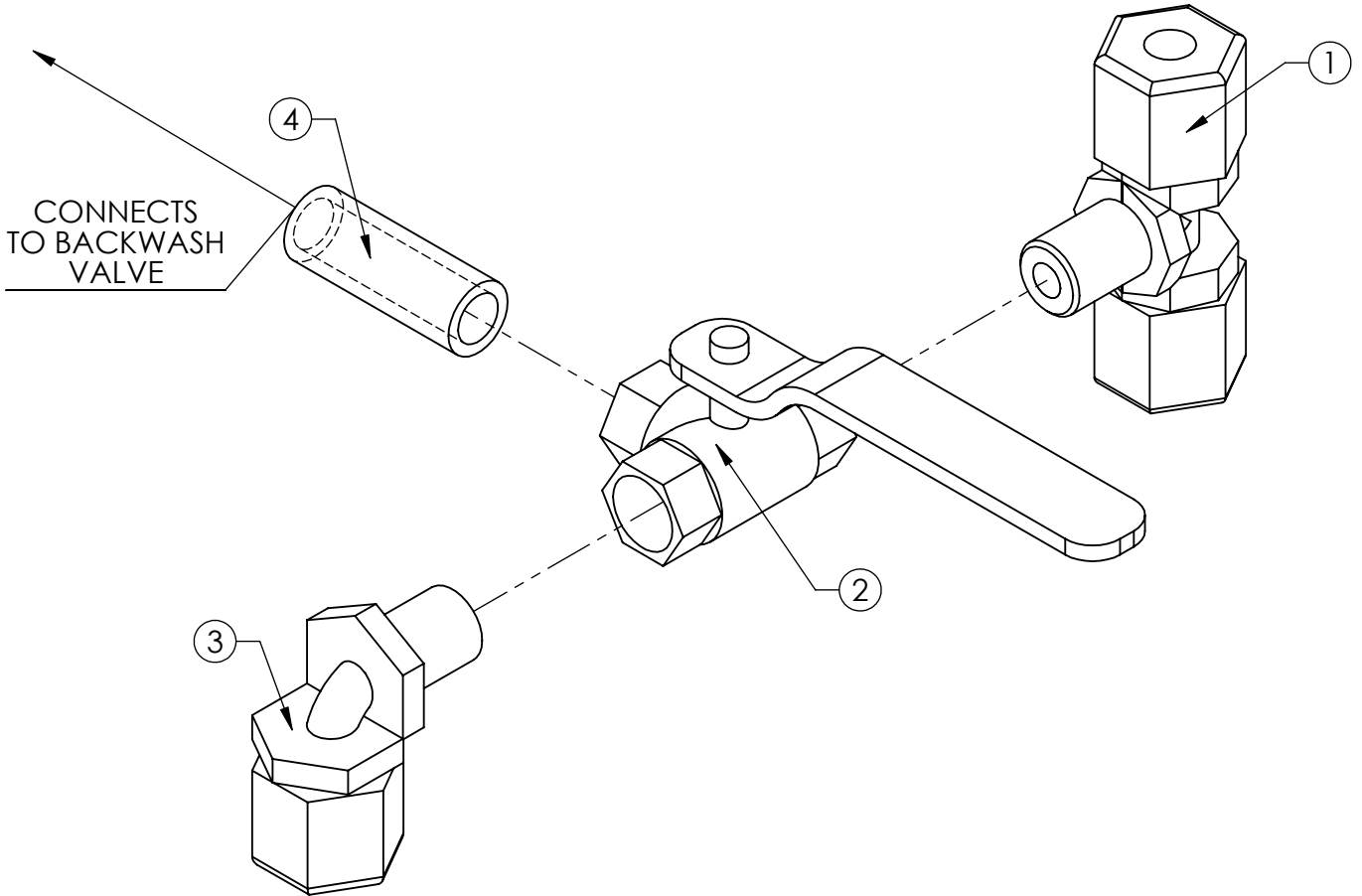
(12V-DCL LATCHING)



KIT PART # 112105

| ITEM | PART NO. | DESCRIPTION |
|------|----------|----------------------------|
| 1 | 107914 | TEE, 1/4" x 3/8" POLY |
| 2 | 111063 | ELBOW, 1/4" x 3/8" POLY |
| 3 | 101823 | VALVE, SOLENOID |
| 4 | 106600 | NIPPLE, 1/4" x 1-1/2" S.S. |

MANUAL VALVE KIT

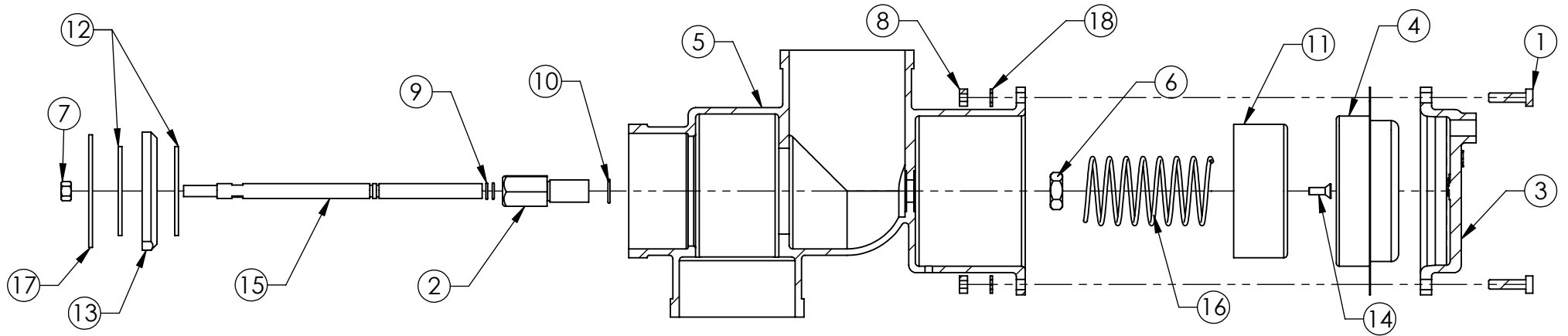


KIT PART # 106438

| ITEM | PART NO. | DESCRIPTION |
|------|----------|----------------------------|
| 1 | 107914 | TEE, 1/4" x 3/8" POLY |
| 2 | 108031 | VALVE, BALL, 1/4" 3-WAY SS |
| 3 | 111063 | ELBOW, 1/4" x 3/8" POLY |
| 4 | 106600 | NIPPLE, 1/4" x 1-1/2" S.S. |

BACKWASH VALVE KIT

L0801-B 4-in BACKWASH VALVE

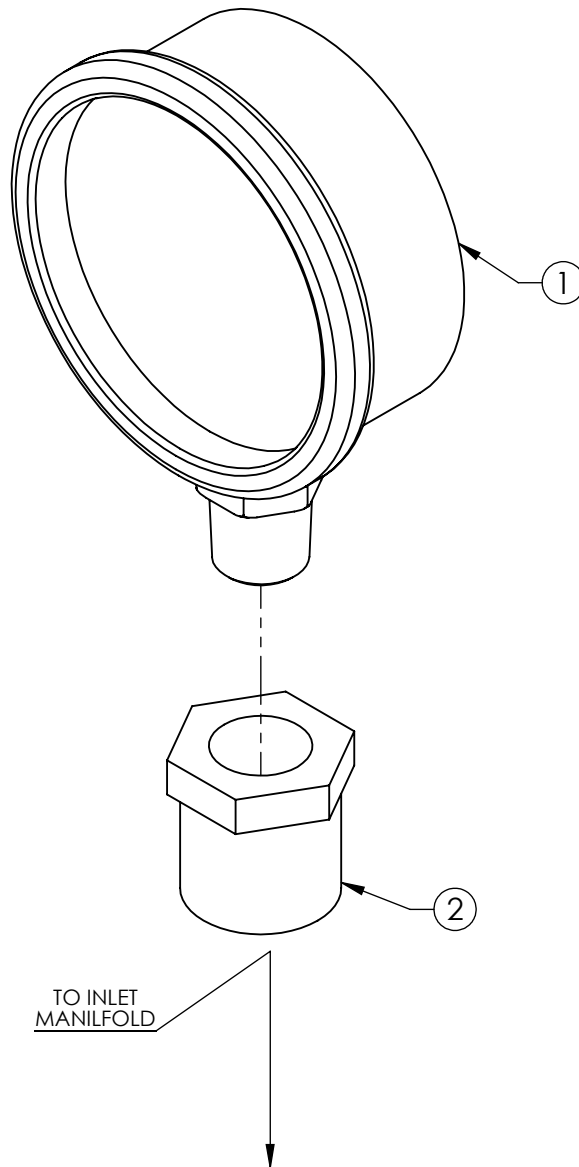


| ITEM NO. | PART NO. | DESCRIPTION | QTY |
|----------|----------|---|-----|
| 1 | 105383 | BOLT, HEX 5/16-18 UNC-2A x 1-1/4", 316 SS | 6 |
| 2 | 101108 | BUSHING, GUIDE, 4" BACKWASH VALVE, 304 SS | 1 |
| 3 | 105823 | COVER, VALVE, 4" BACKWASH w/ 1/4" TAP, GRAY IRON CAST | 1 |
| 4 | 105864 | DIAPHRAGM, VALVE, 4" BACKWASH, NEOPRENE | 1 |
| 5 | 105370 | BODY, VALVE, 4" BACKWASH, L-0801-B, GRAY IRON CAST | 1 |
| 6 | 103300 | NUT, JAM, 3/4-16 UNC-2B, 316 SS | 1 |
| 7 | 106791 | NUT, HEX NYLOCK, 3/8-16 UNC-2B, 316 SS | 1 |
| 8 | 106769 | NUT, HEX, 5/16-18 UNC-2B, 316 SS | 6 |
| 9 | 106823 | O-RING, SHAFT, 568-016, BUNA-N 70 | 2 |
| 10 | 106821 | O-RING, BUSHING, 568-016, BUNA-N 70 | 1 |
| 11 | 107170 | PISTON, VALVE, 4" BACKWASH, GRAY IRON CAST | 1 |
| 12 | 104820 | DISC, PLUNGER BACKUP, 4" BACKWASH VALVE 304 SS | 2 |
| 13 | 108140 | VULCANIZED, DISC, 3.80 OD SEAT, BLACK RUBBER | 1 |
| 14 | 107399 | SCREW, FLAT HEAD HEX SOCKET, 1/4-20 UNC-2A x 3/4", 18-8 | 1 |
| 15 | 107714 | SHAFT, VALVE, 4" NEW BACKWASH, 304 SS | 1 |
| 16 | 107800 | SPRING, COMPRESSOR, BACKWASH VALVE SF 380 SS | 1 |
| 17 | 105361 | DISC, PLUNGER, 4" BACKWASH VALVE, 304 SS | 1 |
| 18 | 111169 | WASHER, LOCK SPRING, 5/16", 18-8 | 6 |

PN # 108030

PRESSURE GAUGE KIT

(INLET MODULAR / 8" & 10" INLINE OUTLET, MANUAL ONLY)

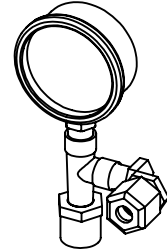


KIT PART # 103311

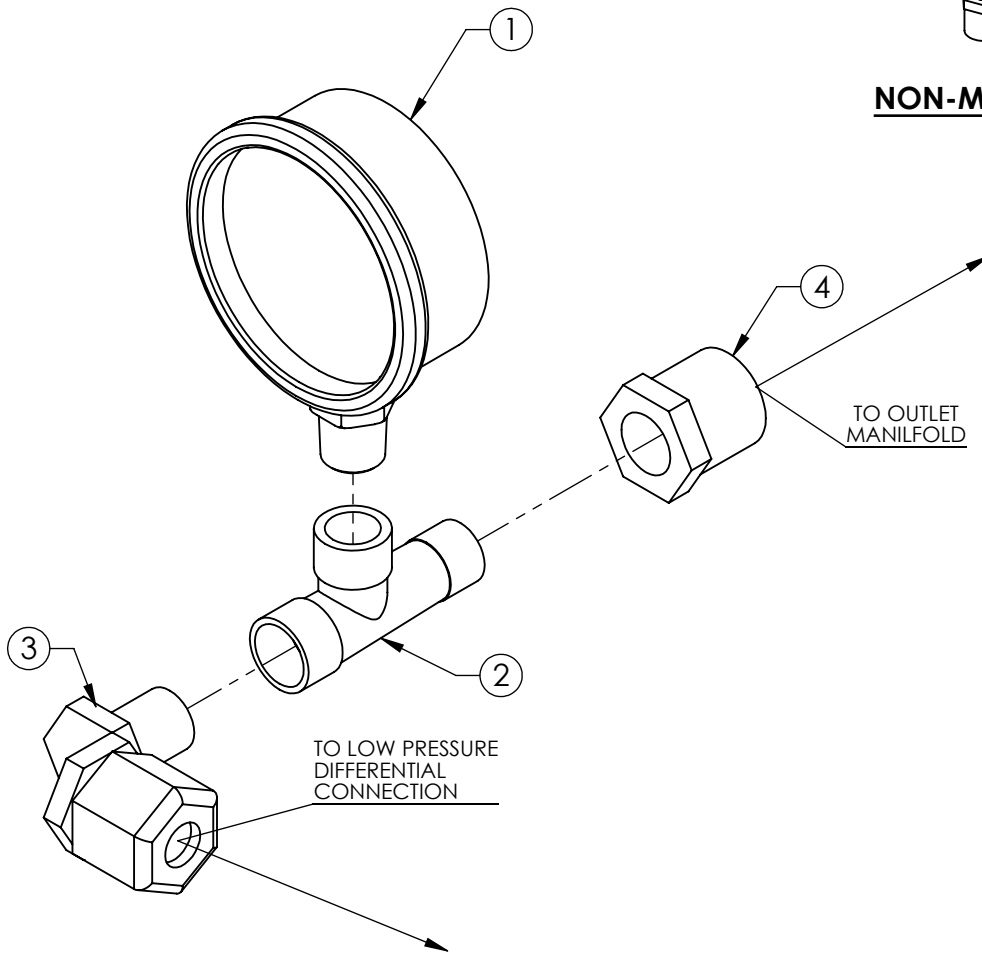
| ITEM | PART NO. | DESCRIPTION |
|------|----------|-------------------------------|
| 1 | 106262 | GAUGE, 0-100 psi PRESSURE |
| 2 | 105556 | REDUCER, BUSHING, 1/2" x 1/4" |

OUTLET PRESSURE GAUGE KIT

(AUTO)



NON-MODULAR

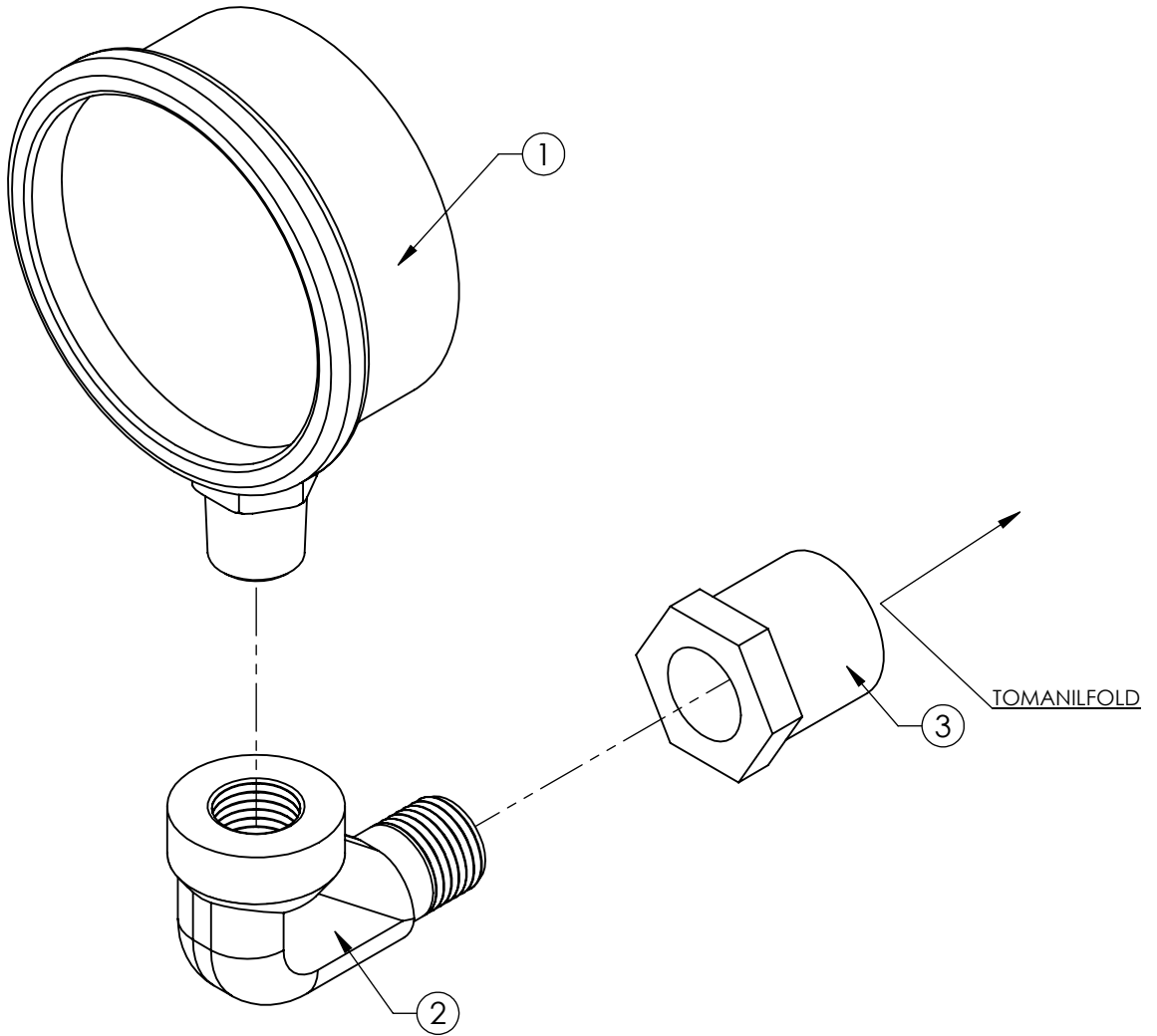


KIT PART # 128411

| ITEM | PART NO. | DESCRIPTION |
|------|----------|-----------------------------------|
| 1 | 106262 | GAUGE, 0-100 psi PRESSURE |
| 2 | 117582 | STREET TEE, 1/4" NPT |
| 3 | 111063 | ELBOW CONNECTOR, 1/4" x 3/8" POLY |
| 4 | 105556 | REDUCER, BUSHING, 1/2" x 1/4" |

PRESSURE GAUGE KIT

(INLET 8" & 10" INLINE/OUTLET MODULAR, MANUAL ONLY)

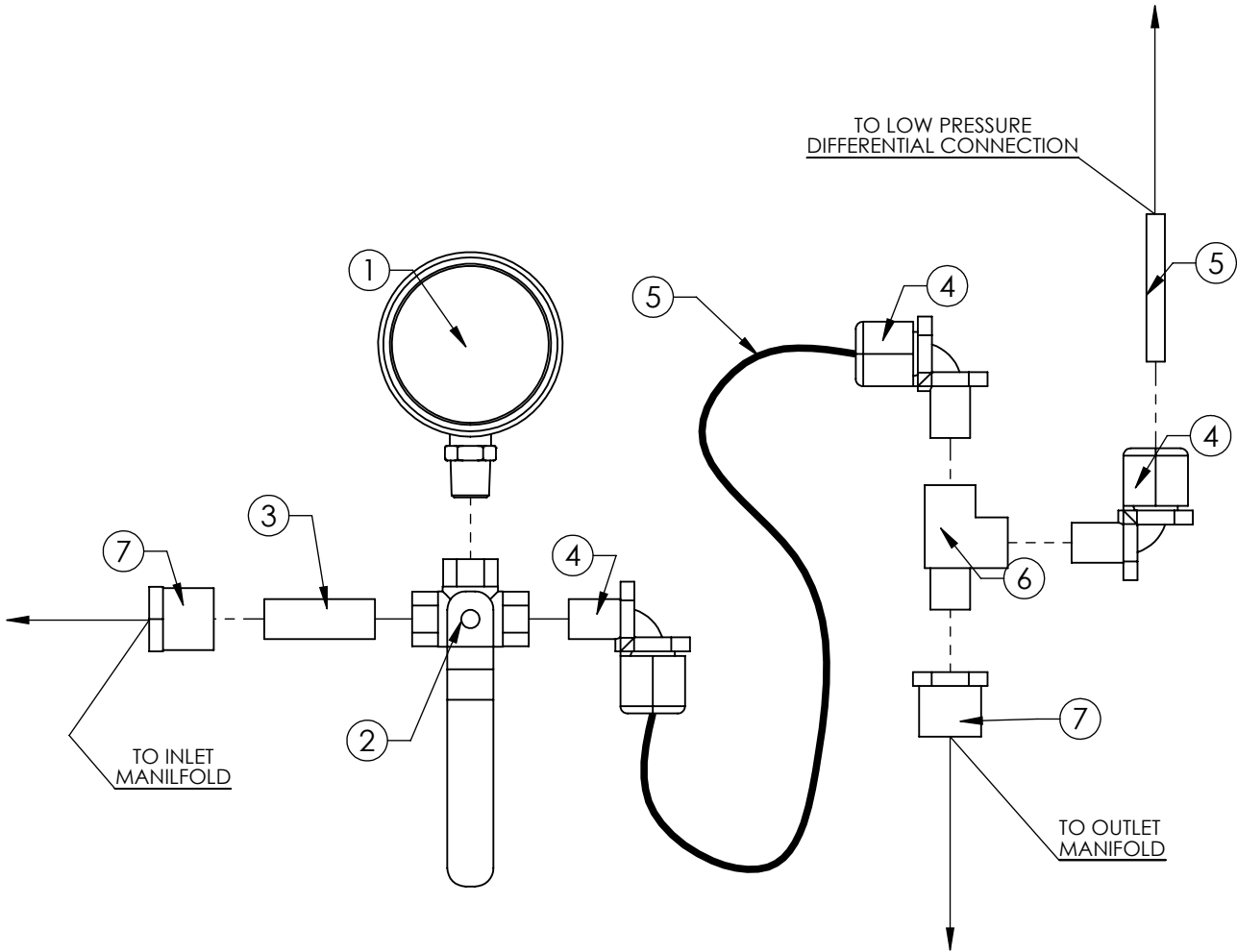


KIT PART # 106433

| ITEM | PART NO. | DESCRIPTION |
|------|----------|-------------------------------|
| 1 | 106262 | GAUGE, 0-100 psi PRESSURE |
| 2 | 105897 | ELBOW, 1/4" STREET, GALV |
| 3 | 105556 | REDUCER, BUSHING, 1/2" x 1/4" |

INLET/OUTLET PRESSURE GAUGE KIT

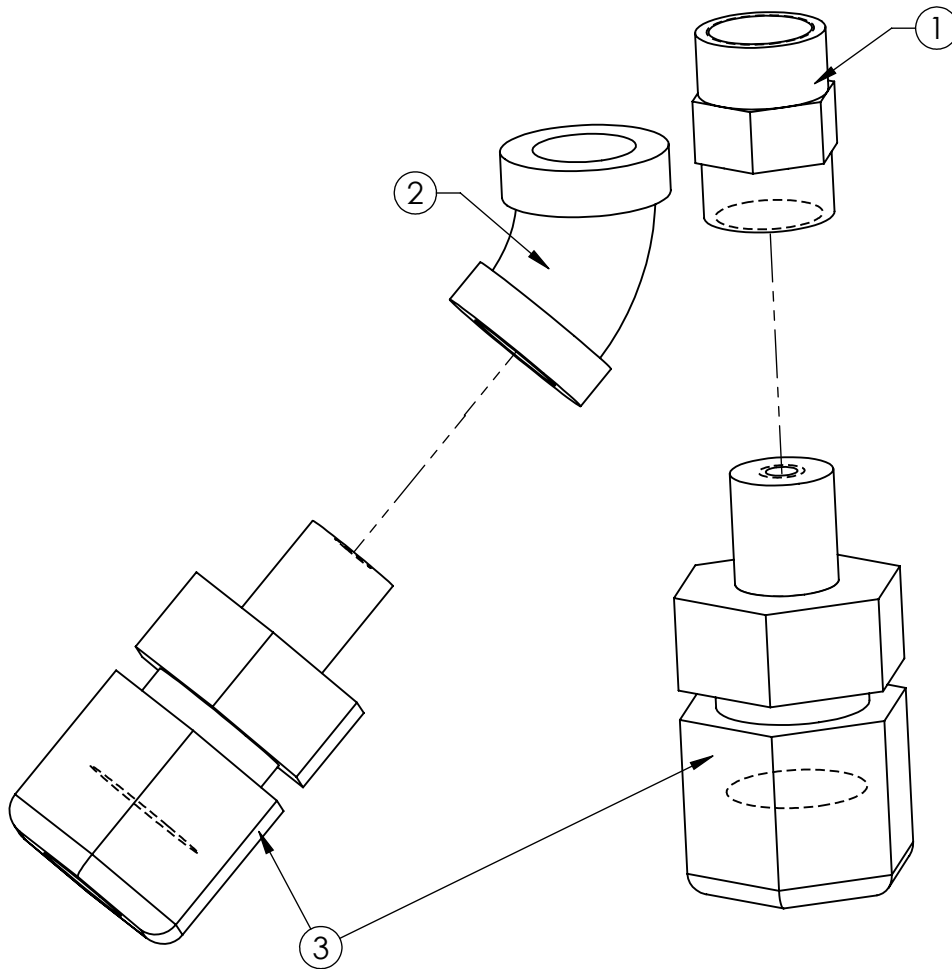
(OPTIONAL)



KIT PART # 112553

| ITEM | PART NO. | DESCRIPTION |
|------|----------|-------------------------------|
| 1 | 106263 | GAUGE, 0-160 psi PRESSURE |
| 2 | 108031 | VALVE, BALL, 1/4" 3-WAY |
| 3 | 106600 | NIPPLE, 1/4" x 1-1/2" S.S. |
| 4 | 111063 | ELBOW, 1/4" x 3/8" POLY |
| 5 | 107929 | TUBING, 3/8" x 5', POLY |
| 6 | 107886 | TEE, 1/4" MALE RUN, BRASS |
| 7 | 105560 | REDUCER, BUSHING, 1/2" x 1/4" |

AUTO CONTROLLER KIT

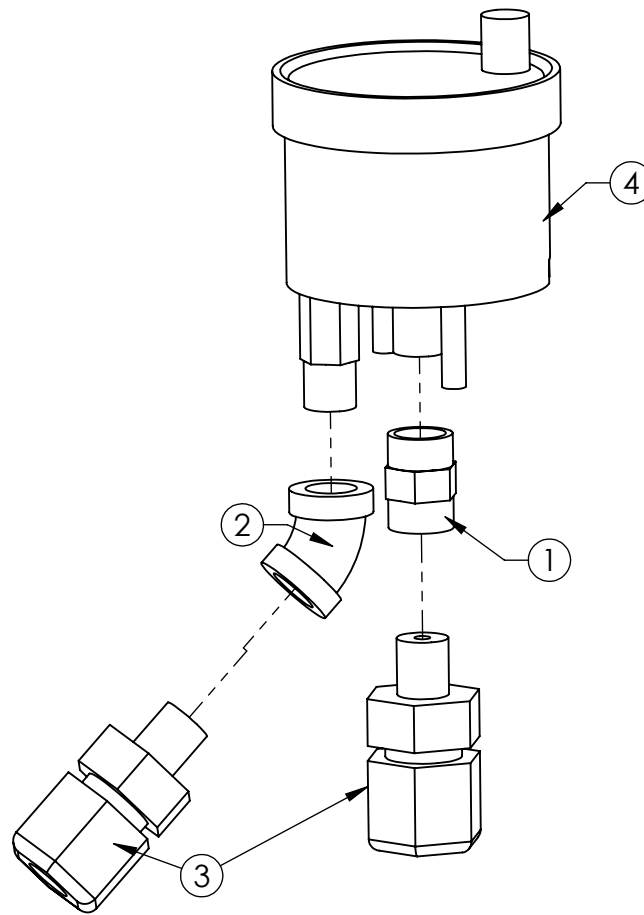


KIT PART # 103417

| ITEM | PART NO. | DESCRIPTION |
|------|----------|----------------------------|
| 1 | 108027 | 1/8" STRAIGHT COUPLING |
| 2 | 105882 | 1/8" 45° ELBOW |
| 3 | 105024 | 1/8" x 3/8" POLY CONNECTOR |

PRESSURE DIFFERENTIAL KIT

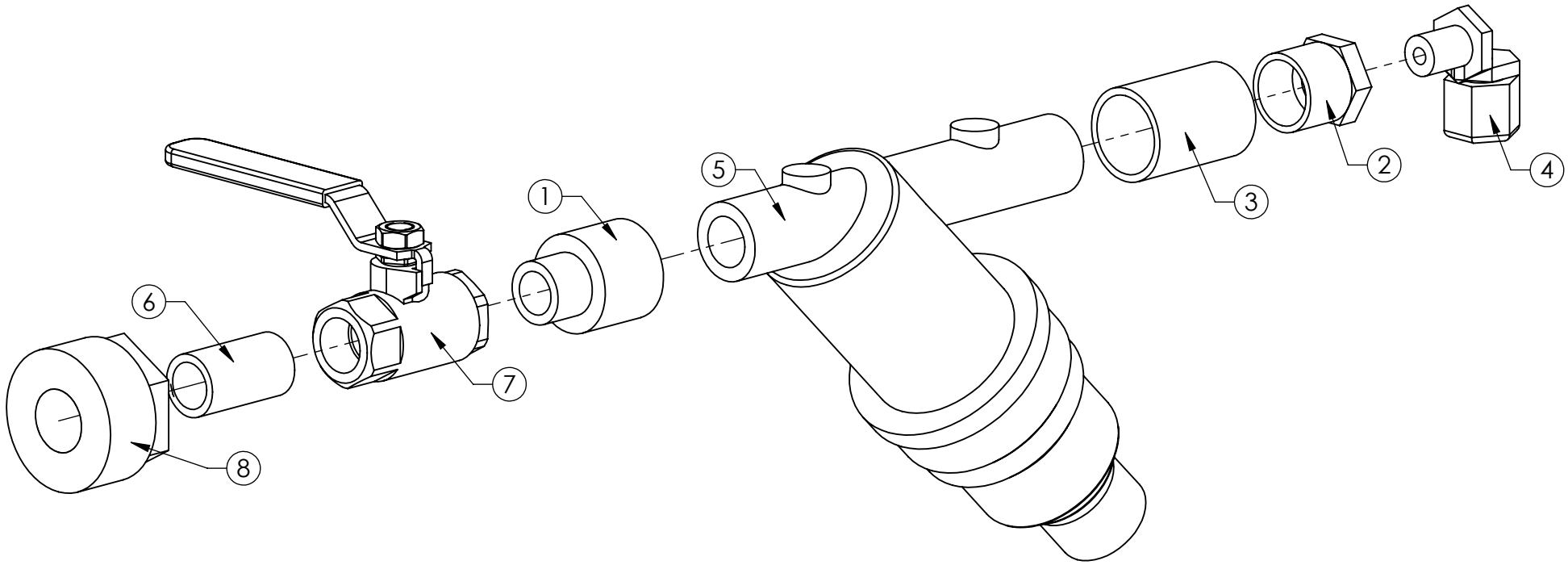
(AUTO)



KIT PART # 106432

| ITEM | PART NO. | DESCRIPTION |
|------|----------|------------------------------|
| 1 | 108027 | 1/8" STRAIGHT COUPLING |
| 2 | 105882 | 1/8" 45° ELBOW |
| 3 | 105024 | 1/8" x 3/8" POLY CONNECTOR |
| 4 | 107833 | MURPHY PRESSURE DIFF. SWITCH |

WATER UPTAKE KIT



KIT PART # 123247

| ITEM | PART NO. | DESCRIPTION |
|------|----------|--|
| 1 | 115649 | ADAPTER, REDUCER 3/4" x 1/2" FPT x MPT, PVC |
| 2 | 119434 | BUSHING, REDUCER 3/4" x 1/4" MPT x FPT, PVC |
| 3 | 123246 | COUPLING, NPT FULL, 3/4", PVC |
| 4 | 111063 | ELBOW, 90°, 3/8" x 1/4" TUBE x MPT POLY |
| 5 | 123245 | FILTER, SPIN-CLEAN 3/4" 100 MESH, ABS |
| 6 | 106608 | NIPPLE, NPT, 1/2" STD x 1-1/2" TBE, A-53 GALV |
| 7 | 108032 | VALVE, BALL, 1/2" 150# FPT FULLPORT, BRASS |
| 8 | 128406 | BUSHING, REDUCER NPT, 1-1/2 x 1/4 150#, A-105 GALV |