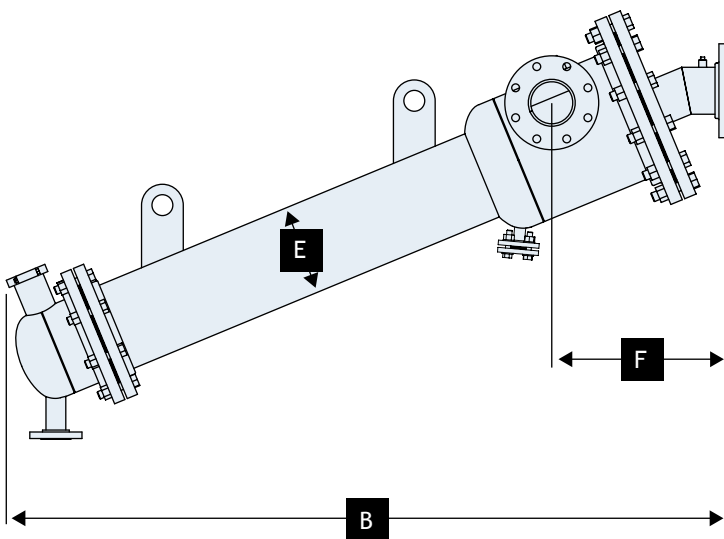
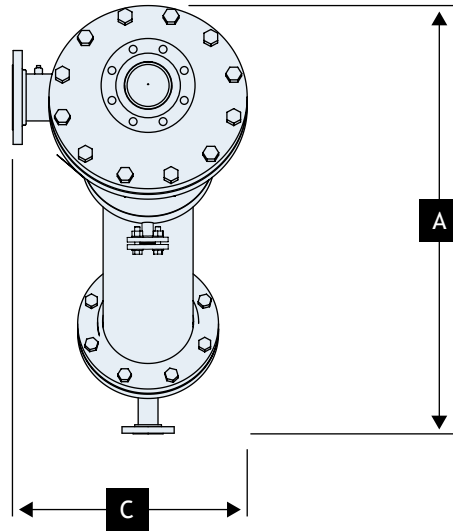
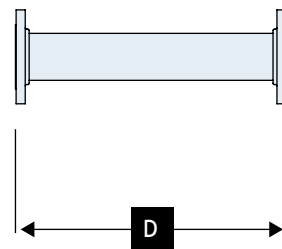


Horizontal Profile HL



(optional Spool)



Dimensions

Model	A		B		C		D		E		F	
	in	mm	in	mm	in	mm	in	mm	in	mm	in	mm
CSX-0360-HL	41	1041	69 1/4	1759	22 1/2	572	26	660	8 5/8	219	17	432
CSX-0565-HL	50	1270	86 1/2	2197	25	635	28	711	10 3/4	273	16 9/16	421
CSX-0815-HL	56 5/16	1430	97 5/16	2472	27 1/4	692	28	711	12 3/4	324	19 1/8	486
CSX-1450-HL	66 3/4	1695	119 1/16	3024	31 1/4	794	36	914	16	406	26 3/8	670
CSX-2300-HL	74 1/8	1883	130 1/4	3308	34 1/2	876	38	965	18	457	31 3/4	806

Testimonials

Limited Warranty

All products manufactured and marketed by this corporation are warranted to be free of defects in material or workmanship for a period of at least one year from date of delivery. Extended warranty coverage applies as follows:

All LAKOS Separators: Five year warranty

All other components: 12 months from date of installation; if installed 6 months or more after ship date, warranty shall be a maximum of 18 months from ship date.

If a fault develops, notify us, giving a complete description of the alleged malfunction. Include the model number(s), date of delivery and operating conditions of subject product(s). We will subsequently review this information and, at our option, supply you with either servicing data or shipping instruction and returned materials authorization. Upon prepaid receipt of subject product(s) at the instructed destination, we will then either repair or replace such product(s), at our option, and if determined to be a warranted defect, we will perform such necessary product repairs or replace such product(s) at our expense.

This limited warranty does not cover any products, damages or injuries resulting from misuse, neglect, normal expected wear, chemically-caused corrosion, improper installation or operation contrary to factory recommendation. Nor does it cover equipment that has been modified, tampered with or altered without authorization.

No other extended liabilities are stated or implied and this warranty in no event covers incidental or consequential damages, injuries or costs resulting from any such defective product(s).

Lakos Separators are manufactured and sold under one or more of the following U.S. Patents:

Patents:
5,320,747; 5,338,341; 5,368,735; 5,425,876;
5,571,416; 5,578,203; 5,622,545; 5,653,874;
5,894,995; 6,090,276; 6,143,175; 6,167,960;
6,202,543; 7,000,782; 7,032,760 and
corresponding foreign patents, other U.S. and
foreign patents pending.

1365 North Clovis Avenue
Fresno, California 93727 USA
Telephone: (559) 255-1601
FAX: (559) 255-8093
www.lakos.com
info@lakos.com



Top: LAKOS CSX-1450L-S4 (In a FrySafe configuration)

Bottom left: Baskets inside the collection vessel

Bottom right: Purge System showing collection vessels and valves.

Backer's Chip Plant in Fulton, Missouri has two large fry lines to cook potato chips. A LAKOS complete stainless steel FrySafe CSX System was installed full stream to remove crumbs, fines and chip pieces before they reach the heat exchanger. As the CSX separator removes solids from the cooking oil, the solids are purged to one of two LAKOS Collection Vessels that can be isolated and allowed to cool before the solids-filled wire mesh baskets are removed and cleaned.

Mike Reeves, Operations Manager at Backers Chips, says they love the unit. *"The system is working great. It is virtually maintenance free. Just dump and clean the baskets and the unit continues working the whole time. It made us realize how bad the old system we had was. The LAKOS FrySafe system not only eliminates a serious hazard, it increases the length of time the oil can be used, maintaining better control of the free fatty acids, and an overall better quality product."* For more information about this installation refer to Case Study AB-217.



CSX-050 HV

One of the largest privately owned snack food vendors in the United States uses a LAKOS CSX-050 HV to ensure the highest quality of potato chip production.

Name withheld upon request – they consider LAKOS a huge competitive advantage.



Return On Investment Example:

Using a LAKOS Separator as an effective filtration method for cooking oil can pay for itself in cost savings in a very short amount of time. A chip processing plant in Ecuador determined that they could extend the effective life of their cooking oil by 50% by using a LAKOS – a savings of over \$85,000 in oil alone per year. Read more about it in Case Study AB-227.