

TWISTIICLEAN High Flow

Inline Sediment Filters For Water Supply Solids Problems

T2C^{HF}
T2C-200

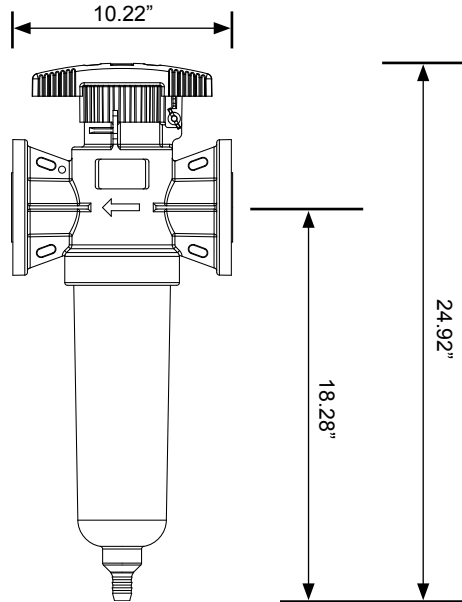
Easy to install and clean, TWISTIICLEAN High Flow (HF) inline sediment filters remove organics, sand and sediment from water systems.

Materials of Construction

Glass-filled polypropylene/acrylic body with EPDM seal at top of clear bowl, Viton seal at bottom of element filter, and stainless steel screen.

Dimensions

See table at right.



Flow Range:

1 to 150 US gpm
(0.2 to 27.3 m³/hr)

Inlet/Outlet:

2 inch flange connection compatible with ANSI, DIN, JIS patterns

Maximum Pressure:

100 psi
(6.9 bar)

Maximum Temperature:

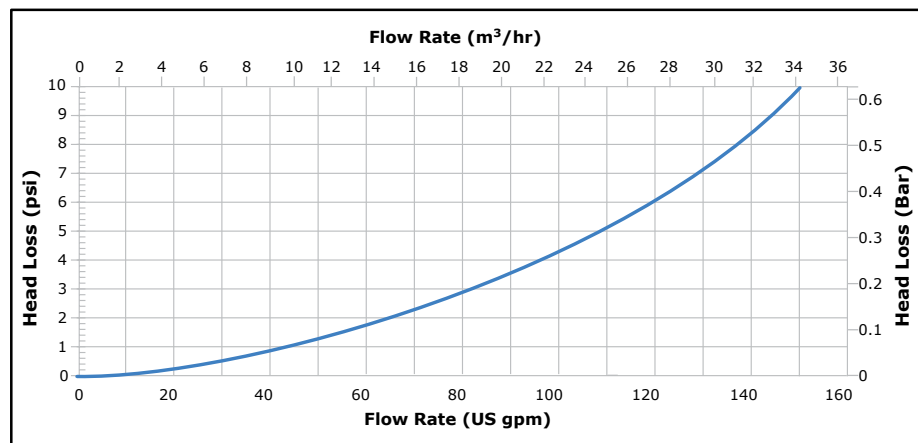
120° F (49° C)

Mesh Sizes:

- 60 Mesh (250 Micron) Element
- 100 Mesh (150 Micron) Element
- 140 Mesh (105 Micron) Element
- 200 Mesh (74 Micron) Element

Specifications

Clean Conditions



| Flow* | 0 | 10 | 20 | 30 | 40 | 50 | 60 | 70 | 80 | 90 | 100 | 110 | 120 | 130 | 140 | 150 |
|--------------------|-------|-------|-------|-------|-------|-------|-------|-------|-------|-------|-------|-------|-------|-------|-------|-------|
| gpm | 0 | 10 | 20 | 30 | 40 | 50 | 60 | 70 | 80 | 90 | 100 | 110 | 120 | 130 | 140 | 150 |
| m ³ /hr | 0.00 | 2.27 | 4.54 | 6.81 | 9.08 | 11.36 | 13.63 | 15.90 | 18.17 | 20.44 | 22.71 | 24.98 | 27.25 | 29.53 | 31.80 | 34.07 |
| Head Loss | | | | | | | | | | | | | | | | |
| psi | 0.00 | 0.04 | 0.17 | 0.39 | 0.69 | 1.08 | 1.55 | 2.11 | 2.75 | 3.48 | 4.29 | 5.19 | 6.17 | 7.24 | 8.39 | 9.63 |
| bar | 0.000 | 0.003 | 0.012 | 0.027 | 0.048 | 0.075 | 0.107 | 0.146 | 0.190 | 0.240 | 0.296 | 0.358 | 0.426 | 0.500 | 0.579 | 0.664 |

*For lower flow rates, refer to TWISTIICLEAN LS-870.

TWISTIIICLEAN High Flow Technical Information

Limited Warranty

The LAKOS TWISTIIICLEAN is warranted to be free of material or workmanship defects for at least one year from delivery date.

If a fault develops, notify us, giving a complete description of the alleged malfunction. Include the model number(s), date of delivery and operating conditions of subject product(s). We will subsequently review this information and, at our option, supply you with either servicing data or shipping instruction and returned materials authorization. Upon prepaid receipt of subject product(s) at the instructed destination, we will then either repair or replace such product(s), at our option, and if determined to be a warranted defect, we will perform such necessary product repairs or replace such product(s) at our expense. This limited warranty does not cover any products, damages or injuries resulting from misuse, neglect, normal expected wear, chemically-caused corrosion, improper installation or operation contrary to factory recommendation. Nor does it cover equipment that has been modified, tampered with or altered without authorization. No other extended liabilities are stated or implied and this warranty in no event covers incidental or consequential damages, injuries or costs resulting from any such defective product(s).

Innovative Technology

LAKOS Separators and Filtration Solutions are manufactured and sold under one or more of the following U.S. Patents:

5,320,747; 5,338,341; 5,368,735; 5,425,876; 5,571,416; 5,578,203; 5,622,545; 5,653,874; 5,894,995; 6,090,276; 6,143,175; 6,167,960; 6,202,543; 7,000,782; 7,032,760 and corresponding foreign patents, other U.S. and foreign patents pending.

LAKOS
Separators and Filtration Solutions

1365 North Clovis Avenue
Fresno, California 93727 USA
Telephone: (559) 255-1601
FAX: (559) 255-8093
info@lakos.com
www.TWISTIIICLEAN.com

Included Accessories

Sun Shield for Sunny Installations - Black neoprene woven cover for bowl prevents growth of algae and other organics in the bowl when unit is exposed to sunlight for long periods.



| Model Size | Sun Shield Part Number |
|------------|------------------------|
| T2C-200 | 131354 |

TWISTIIICLEAN 2" INLINE WATER FILTER

| PART NO. | MODEL | INLET / OUTLET* | SCREEN SIZE | | PURGE OUTLET |
|----------|-------------|---------------------|-------------|--------|--------------|
| | | | MESH | MICRON | |
| 132085 | T2C-200-60 | 2" UNIVERSAL FLANGE | 60 | 250 | 3/4" MPT |
| 132082 | T2C-200-100 | 2" UNIVERSAL FLANGE | 100 | 150 | 3/4" MPT |
| 132083 | T2C-200-140 | 2" UNIVERSAL FLANGE | 140 | 105 | 3/4" MPT |
| 132084 | T2C-200-200 | 2" UNIVERSAL FLANGE | 200 | 74 | 3/4" MPT |

*Universal Flange is compatible with ANSI, DIN and JIS flange bolt patterns

MPT is compatible with NPT and BSP thread

TWISTIIICLEAN 2" INLINE WATER FILTER REPLACEMENT PARTS

| PART NO. | DESCRIPTION |
|----------|---|
| 131741 | T2C-200 BOWL WITH 3/4" MPT PURGE & O-RING |
| 131747 | T2C-200 FILTER ELEMENT SUPPORT SCREEN |
| 131743 | T2C-200-60 FILTER ELEMENT KIT 60# (250 Micron) |
| 131744 | T2C-200-100 FILTER ELEMENT KIT 100# (150 Micron) |
| 131745 | T2C-200-140 FILTER ELEMENT KIT 140# (105 Micron) & SUPPORT SCREEN |
| 131746 | T2C-200-200 FILTER ELEMENT KIT 200# (74 Micron) & SUPPORT SCREEN |

For other solutions, see the Complete Family of LAKOS Irrigation and Landscape Filtration Solutions



For more information go to www.LAKOS.com and refer to literature LS-847