

EXCEPT AS OTHERWISE PROVIDED BY CONTRACT, THIS DRAWING AND SPECIFICATIONS SHALL NOT BE REPRODUCED, COPIED OR USED AS THE BASIS FOR MANUFACTURE OR SALE OF MATTER DEPICTED HEREIN WITHOUT THE EXPRESSED WRITTEN PERMISSION OF THE CLAUDE LAVAL CORPORATION, OR ITS ASSIGNEES.

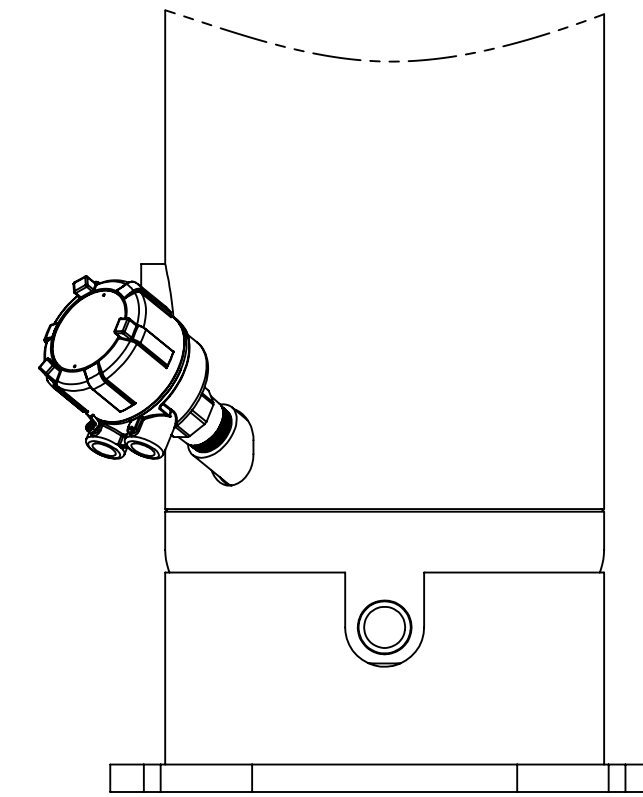
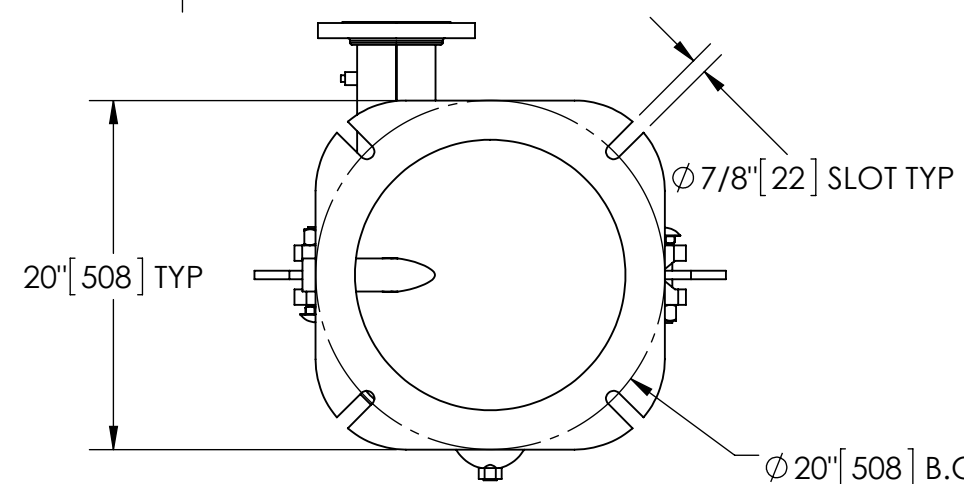
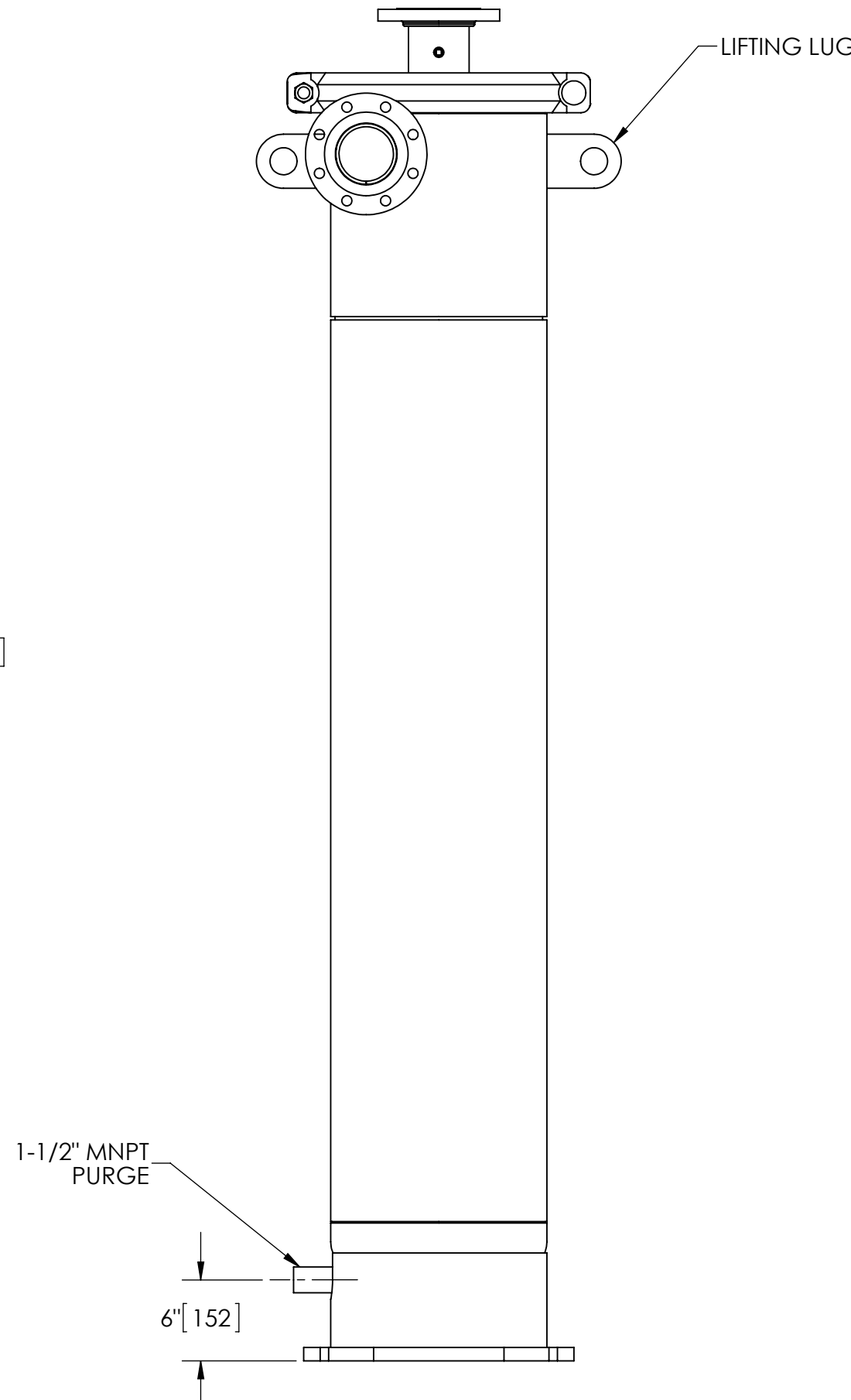
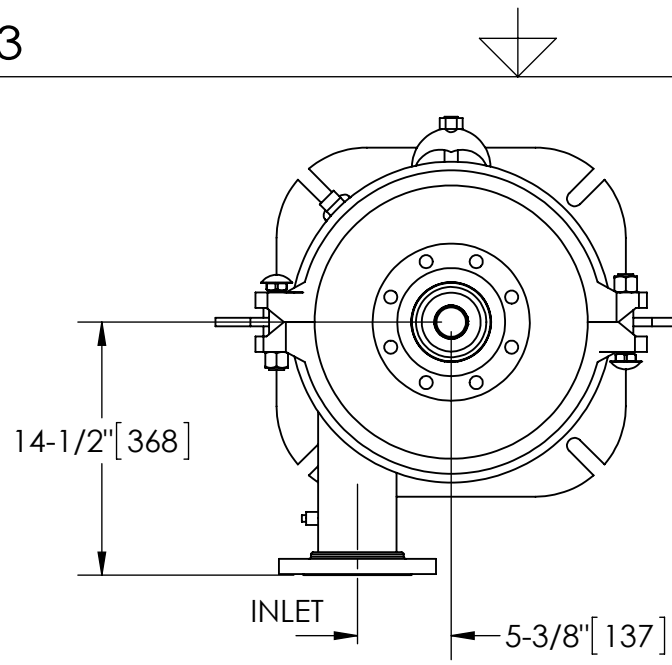
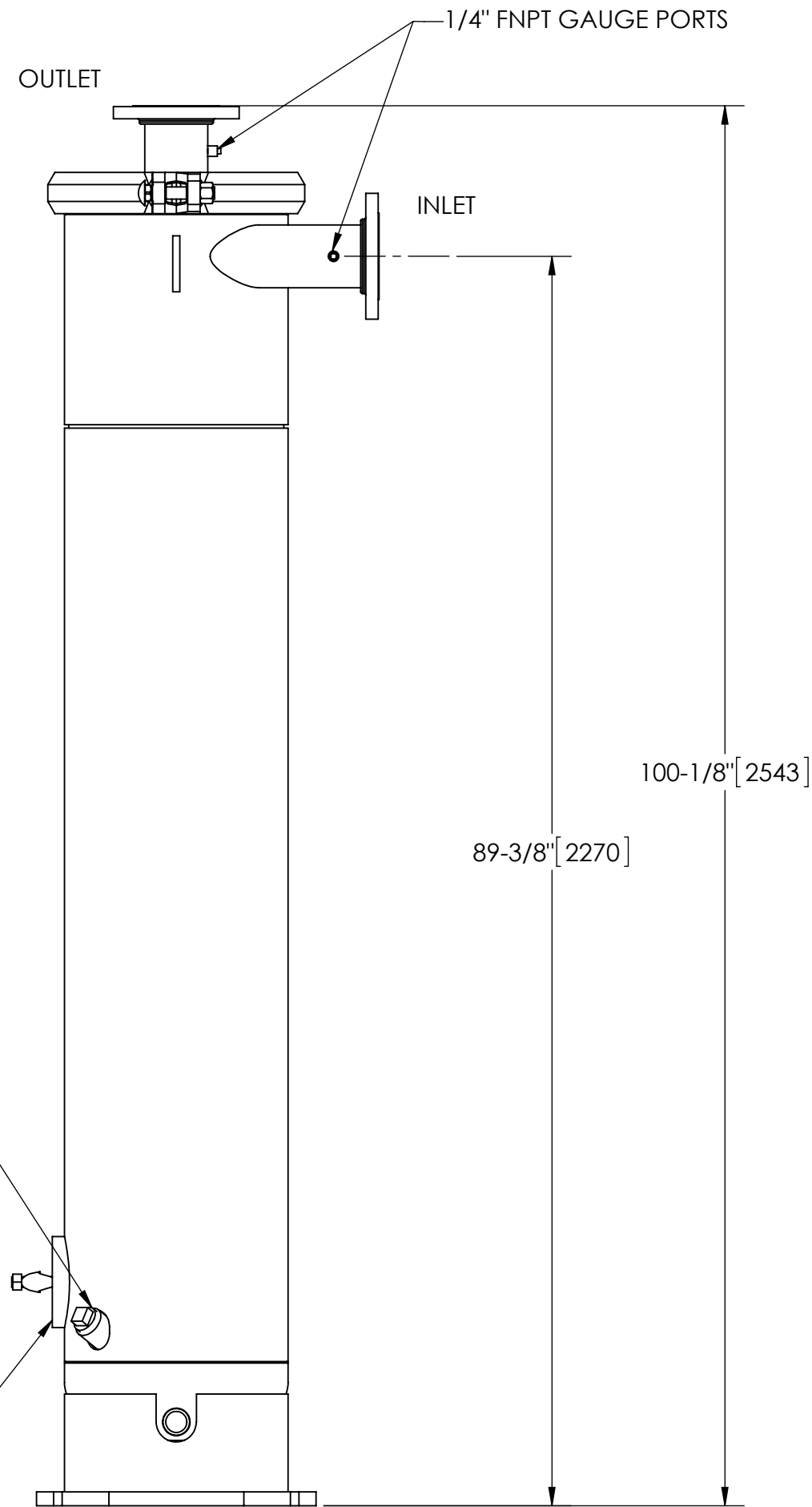
NOTES:

1. INLET & OUTLET FLANGES ARE 4" 150# RF PER ANSI B16.5 REQUIRING 8X $\phi 5/8$ " BOLTS (BOLTS AND GASKETS NOT INCLUDED).
2. MAXIMUM PRESSURE: 250 psi (17.24 bar).
3. MAXIMUM TEMPERATURE: 230°F (110°C).
4. PRESSURE LOSS: 5-18 psid (.34-1.24 bar) AT RATED FLOW.
5. RATED FLOW: 350-650 gpm (79.5-147.6 m³/hr).
6. APPROXIMATE DRY WEIGHT: 862 lb (391 kg).
7. FINISH: LAKOS BLUE (EXTERIOR ONLY).

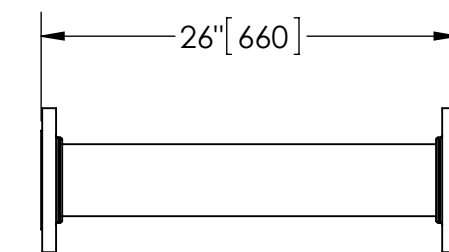
REVISION HISTORY				
ZONE	REV	DESCRIPTION	DATE	APPROVED

SUBMITTAL DRAWING

This drawing is submitted for spatial consideration only. Do not pre-plumb to these dimensions.



OPTIONAL SMART PURGE
UNIT SHOWN WITH OPTIONAL SMART PURGE SENSOR ASSEMBLY INSTALLED (ORDER SEPARATELY)



OPTIONAL FLANGED SPOOL
MODEL FS-04 (AVAILABLE SEPARATELY)
REQUIRED FOR REMOVAL OF TOP ASSEMBLY

THIS DRAWING HAS BEEN GENERATED AND IS MAINTAINED BY A CAD SYSTEM. CHANGES SHALL ONLY BE INCORPORATED AS DIRECTED BY AN APPROVED ENGINEERING CHANGE ORDER (ECO). PAPER COPIES ARE UNCONTROLLED.

UNLESS OTHERWISE SPECIFIED: DIMENSIONS ARE IN: INCHES (mm) TOLERANCES ARE: FRACTIONS DECIMALS ANGLES $\pm 1/2$ " .XX $\pm .01$ $\pm 1^\circ$ XXX $\pm .005$ XXXX $\pm .0005$			ENGINEERED FOR: STANDARD		LAKOS CLAUDE LAVAL CORP. FRESNO, CALIFORNIA 93727 WWW.LAKOS.COM
DO NOT SCALE DRAWING			APPROVALS	DATE	
MATERIAL	CLASS P-1 MILD CARBON STEEL		DRAWN	Cag	10/2/14
FINISH	LAKOS BLUE		ENGR	-	-
			MFG	-	-
			WORK ORDER	-	-
SCALE	1:12		QTY.		
TITLE	eJPX-0350-V, SEPARATOR 0350 eJPX VERTICAL, CARBON STEEL				REV. 01
SIZE	C	MODEL NO.	DWG NO.	136186	EST. WT. 862 lb
			SHEET	1 OF 1	