

EXCEPT AS OTHERWISE PROVIDED BY CONTRACT, THIS DRAWING AND SPECIFICATIONS SHALL NOT BE REPRODUCED, COPIED OR USED AS THE BASIS FOR MANUFACTURE OR SALE OF MATTER DEPICTED HEREIN WITHOUT THE EXPRESSED WRITTEN PERMISSION OF THE CLAUDE LAVAL CORPORATION, OR ITS ASSIGNEES.

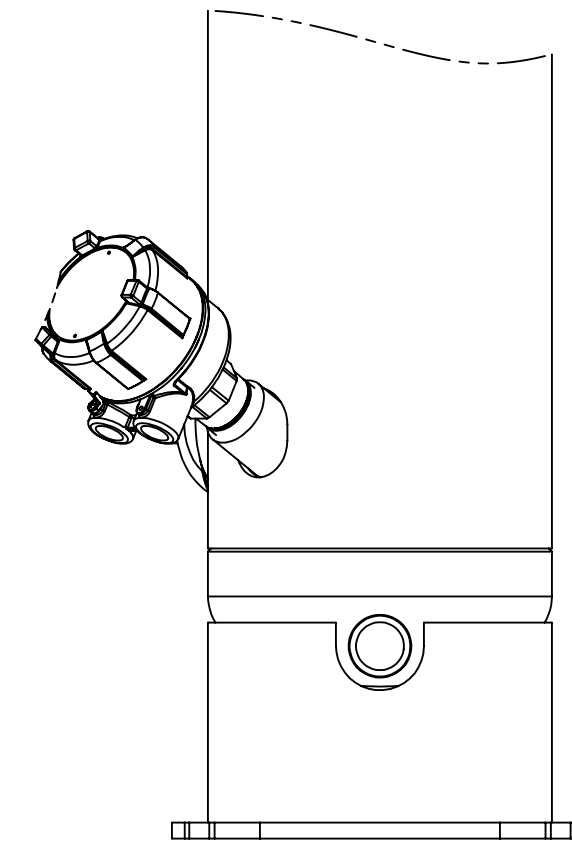
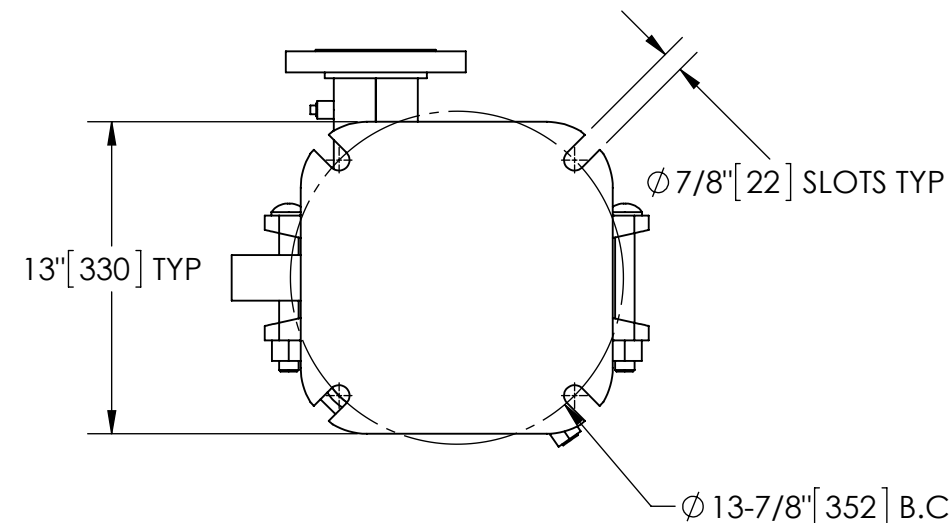
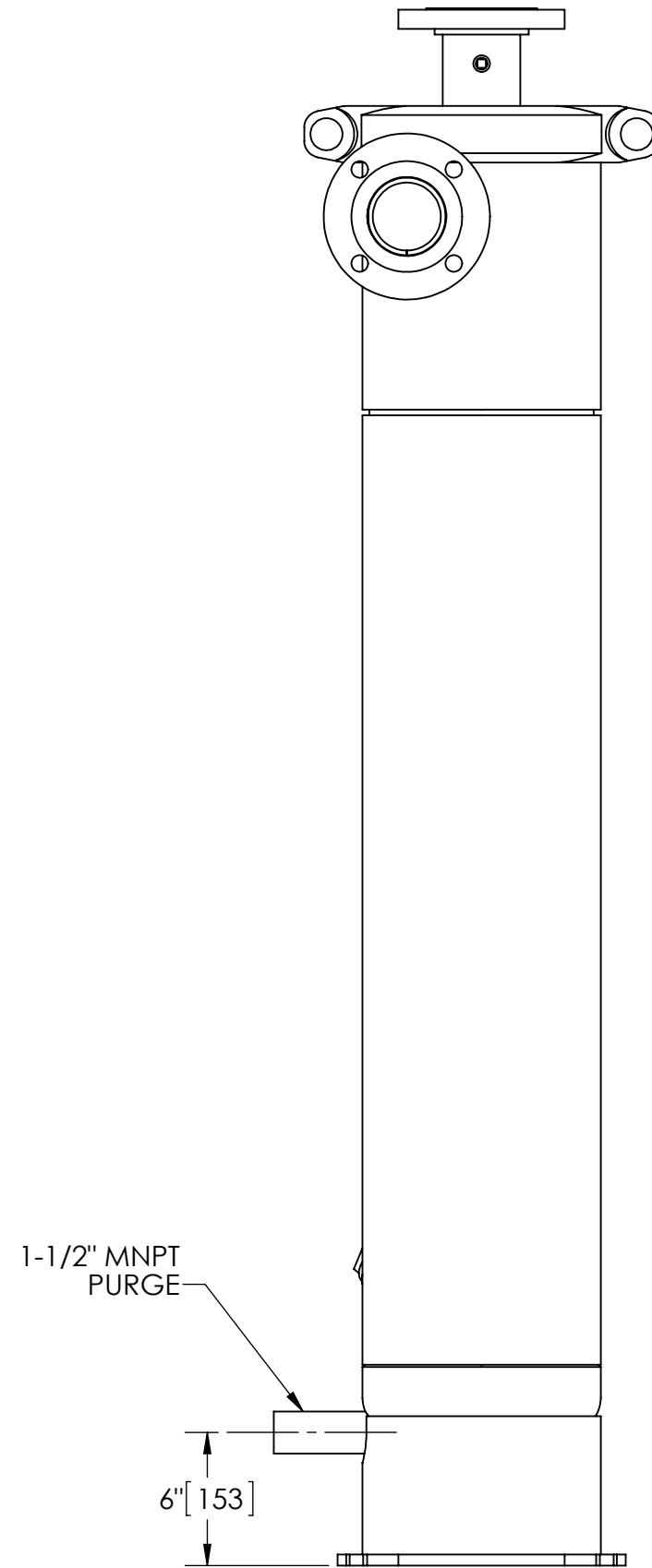
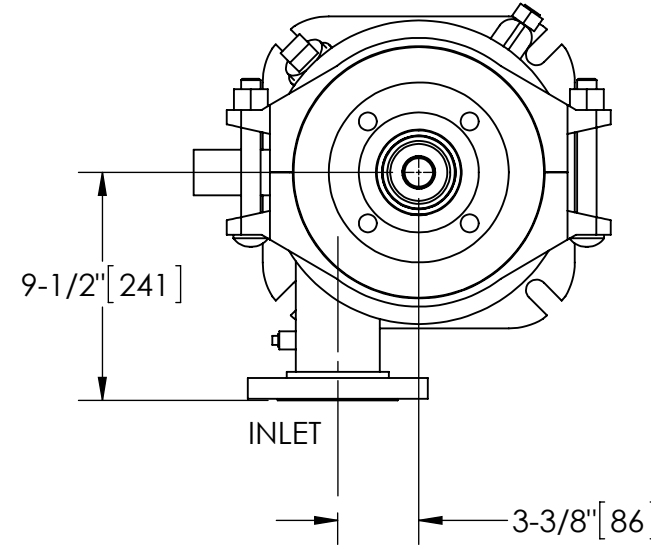
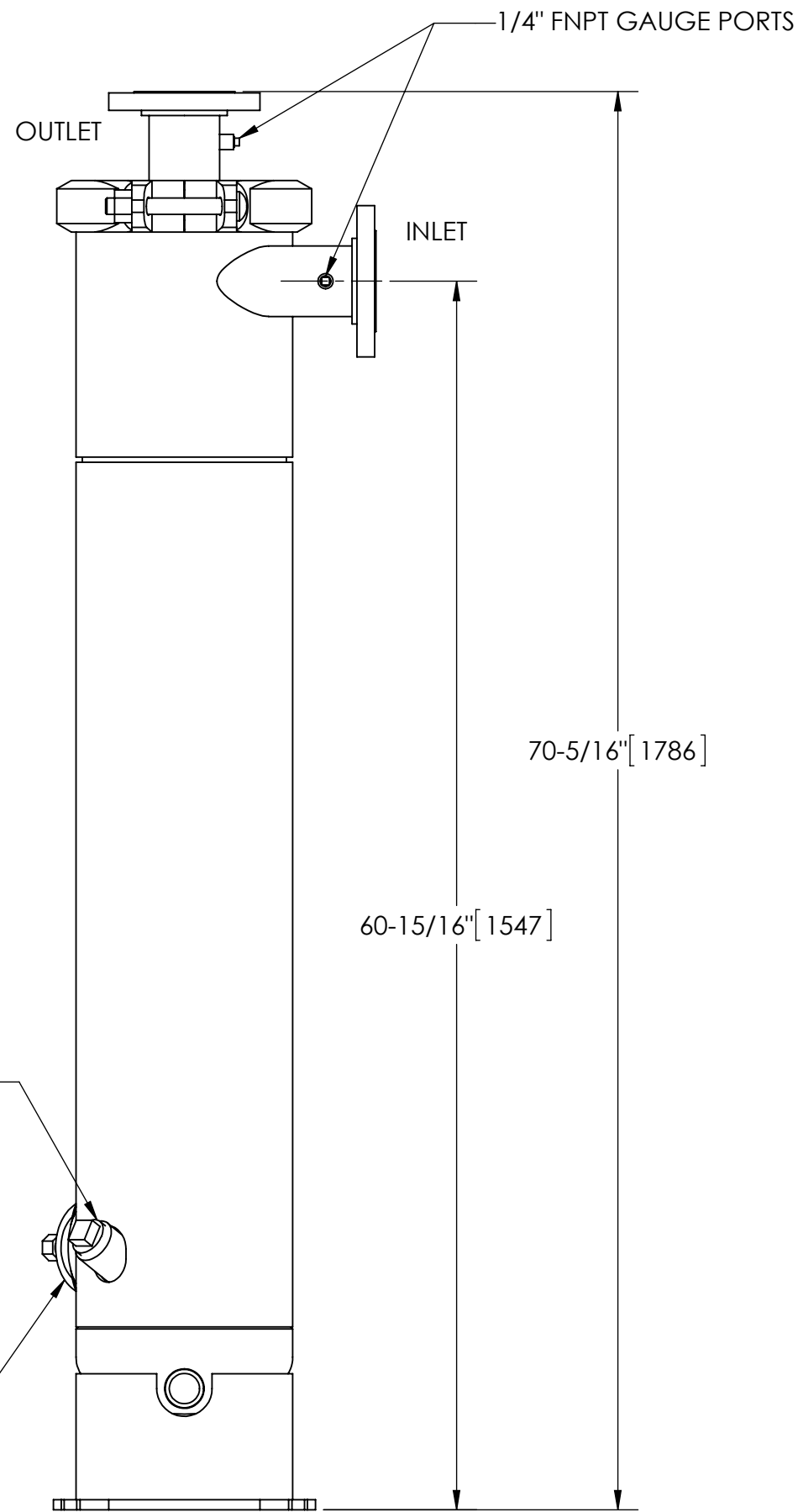
NOTES:

1. INLET & OUTLET FLANGES ARE 3" 150# RF PER ANSI B16.5 REQUIRING 4X Ø5/8" BOLTS (BOLTS AND GASKETS NOT INCLUDED).
2. MAXIMUM PRESSURE: 250 psi (17.24 bar).
3. MAXIMUM TEMPERATURE: 230°F (110°C).
4. PRESSURE LOSS: 5-18 psid (.34-1.24 bar) AT RATED FLOW.
5. RATED FLOW: 135-250 gpm (30.7-56.8 m³/hr).
6. APPROXIMATE DRY WEIGHT: 380 lb (172 kg).
7. FINISH: LAKOS BLUE (EXTERIOR ONLY).

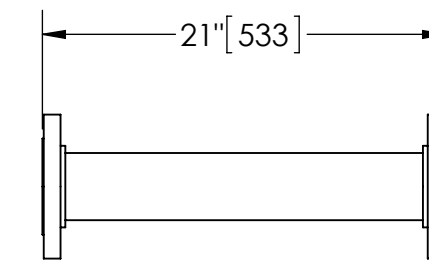
REVISION HISTORY				
ZONE	REV	DESCRIPTION	DATE	APPROVED

## SUBMITTAL DRAWING

This drawing is submitted for spatial consideration only. Do not pre-plumb to these dimensions.



**OPTIONAL SMART PURGE**  
UNIT SHOWN WITH OPTIONAL SMART PURGE SENSOR ASSEMBLY INSTALLED (ORDER SEPARATELY)



**OPTIONAL FLANGED SPOOL**  
MODEL FS-03 (AVAILABLE SEPARATELY)  
REQUIRED FOR REMOVAL OF TOP ASSEMBLY

THIS DRAWING HAS BEEN GENERATED AND IS MAINTAINED BY A CAD SYSTEM. CHANGES SHALL ONLY BE INCORPORATED AS DIRECTED BY AN APPROVED ENGINEERING CHANGE ORDER (ECO). PAPER COPIES ARE UNCONTROLLED.

UNLESS OTHERWISE SPECIFIED: DIMENSIONS ARE IN: INCHES (mm) TOLERANCES ARE: FRACTIONS DECIMALS ANGLES ± 1/2" .XX ± .01 ± 1/4" .XXX ± .005 .XXXX ± .0005	ENGINEERED FOR: <b>STANDARD</b>		CLAUDE LAVAL CORP. FRESNO, CALIFORNIA 93727 WWW.LAKOS.COM
	APPROVALS	DATE	
	DRAWN Cag	10/1/14	
	ENGR		
MATERIAL CLASS P-1 MILD CARBON STEEL	ENGR		TITLE eJPX-0135-V, SEPARATOR 0135 eJPX VERTICAL, CARBON STEEL
FINISH LAKOS BLUE	MFG		SIZE C
	WORK ORDER	QTY.	MODEL NO.
			DWG NO. <b>137162</b>
			REV. <b>01</b>
			SCALE 1:10
			EST. WT. 380 lb
			SHEET 1 OF 1

DWG. NO. 137162  
SHEET REV. 01