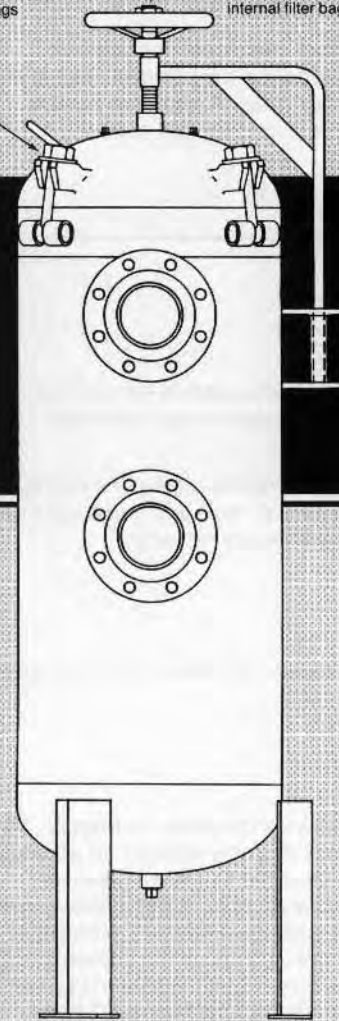


Hinged T-Bolts for securing lid provide easy internal access for servicing internal filter bags

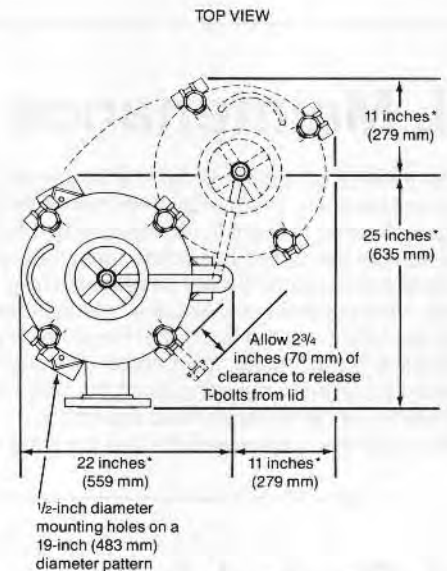
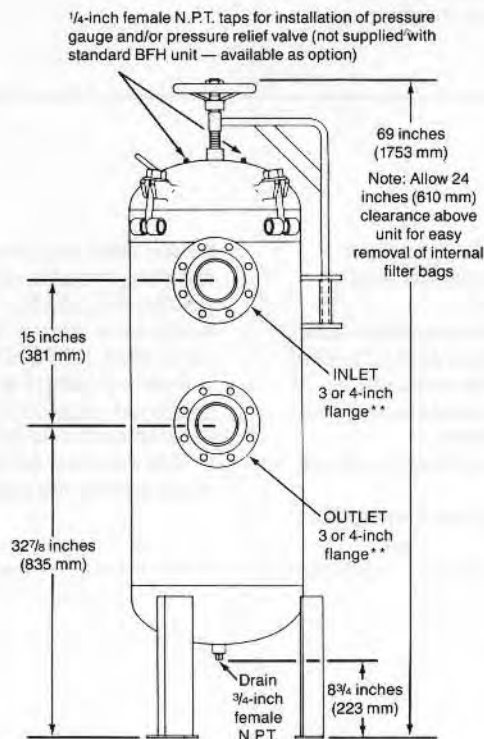
"Davit-style" assembly with hand wheel for easily raising lid to swing away for direct access to internal filter bags



# BFH Lakos Bag Filter Housing



**BFH-1833-B**  
For flow rates up  
to 450 U.S. gpm (102 m<sup>3</sup>/hr.)



\*IMPORTANT: In addition to the space required for placement of this BFH unit, allow additional space as shown to permit the unit's lid to swing-away for servicing the internal filter bags.

\*\* Inlet and outlet size must be specified when ordering this model.

## CLAUDE LAVAL CORPORATION

1365 N. Clovis Avenue  
Fresno, CA 93727 USA

Telephone: (559) 255-1601  
Fax: (559) 255-8093

Toll-Free: (800) 344-7205  
(USA, Canada & Mexico)

www.lakos.com  
E-Mail: info@lakos.com

## General Specifications

**Inlet/Outlet Size:** 3 or 4-inch, flanged (specify when ordering)

**Maximum Flow Rate:** 450 U.S. gpm (102 m<sup>3</sup>/hr.)

**Maximum Pressure Loss:** 5 psi (35 kPa) — Housing only, not including filter bags.

**Maximum Pressure Rating:** 150 psi (1055 kPa)

**Maximum Temperature Rating:** 200° F (93° C) **Note:** This temperature rating refers to the **housing only** and is subject to internal filter bag limitations.

**Material:** Standard BFH units are carbon steel. Options include stainless steel, epoxy coatings, etc. Internal baskets are perforated stainless steel. ASME Code construction available upon request.

**Weight:** 350 lbs. (159 kg)

**Filter Bags:** This unit accepts three 7-inch (178 mm) diameter x 33-inch (838 mm) length filter bags.

# I. Operation

The LAKOS BFH-1833-B Bag Filter Housing features flanged inlet/outlet connections (see illustrations on reverse for details). Incoming flow may be steady, variable or intermittent up to 450 U.S. gpm (102 m<sup>3</sup>/hr). Note the **General Specifications** on reverse for more complete operating details.

Three internal stainless steel baskets (with handles) are provided

with each unit to accommodate your choice of filter bag (not supplied by LAKOS). The baskets rest on a machined plate and include heavy-duty O-rings for a sure seal. A retaining plate is also provided to assure that the bag filters remain in position during operation.

# II. Installation Instructions

**1.** The inlet and outlet connections on this unit are 3 or 4-inch, 150 lb. flanged. Suitable gaskets are recommended for a leak-free installation. Appropriate bypass piping and isolation valves are recommended in order to inspect, clean or replace the internal filter bags as necessary.

**2.** Be sure to insert your choice of filter bags (not supplied by LAKOS) into the stainless steel baskets. Once in place, position the retaining plate to assure a good seal and tighten the three wing nuts securely.

**3.** Be sure to allow adequate clearance above this unit for servicing the internal basket. A minimum of 36 inches (915mm) is recommended.

**4.** Two 1/4-inch N.P.T. female taps are provided in the unit's lid for the installation of a pressure relief valve and a pressure gauge (not supplied by LAKOS). See illustration on reverse.

# III. Maintenance

The internal filter bags should be inspected, cleaned and/or replaced routinely. Frequency depends entirely upon the actual volume of solids present in the liquid to be filtered.

To service this unit, system flow must be bypassed or interrupted and internal pressure should be released (e.g. use a pressure relief valve — not supplied by LAKOS — mounted on the unit's lid).

To open the lid of the Bag Filter Housing, first release and swing away each of the T-bolts. Next, rotate the handwheel counterclockwise to raise the lid off the Bag Filter's body. Swing lid to the side, using the davit-head assembly.

You must then loosen and remove the wing nuts which hold the

basket retaining plate in position. Once the plate is removed, lift one filter bag and stainless steel basket at a time straight up and out of the housing, using the basket's convenient handle. Clean or replace the internal bag as necessary and re-insert a filter bag into the basket. NOTE: Do not operate this unit without the baskets.

Before closing the unit, check the O-rings on the basket and lid. If damaged, replace them. Be sure to re-insert the retaining plate. Reposition the lid and secure with the handwheel and T-bolts.

Unit may now be returned to service. Be sure to allow trapped air to escape via the pressure relief valve (not supplied by LAKOS).

# IV. Parts List

Description	Part No.	Material
Filter Housing (only) . . . . .	BFH-1833-B . . . . .	Carbon Steel *
Internal Basket O-ring . . . . .	BFH-168-ORB . . . . .	BUNA-N
O-Ring on unit's lid . . . . .	BFH-568-ORL . . . . .	BUNA-N
Stainless Steel Basket . . . . .	BFH-133-SB . . . . .	Stainless Steel
Basket Retaining Plate . . . . .	.81614 . . . . .	Carbon Steel *

\* Also available in stainless steel. Consult factory for details.