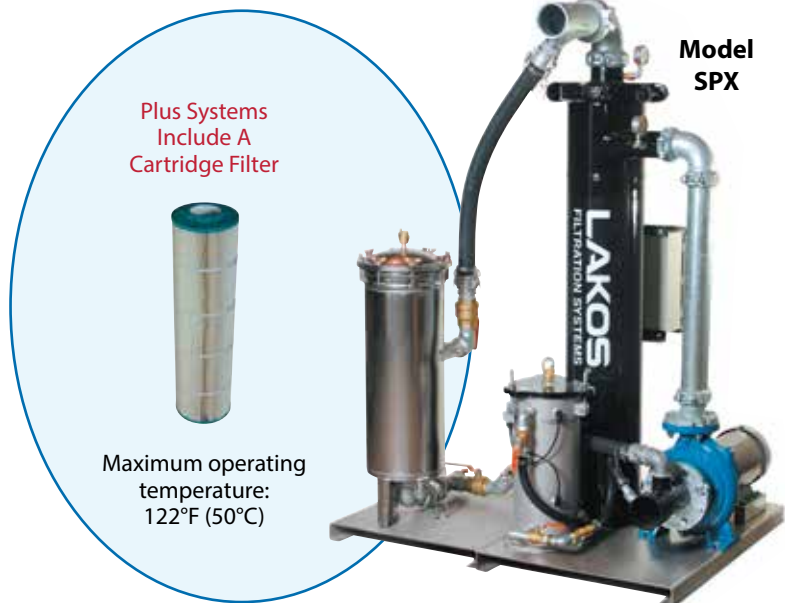


# SideStreamClean<sup>Plus</sup>

For Finer SideStreamClean Filtration Down to .35 Microns



SPX Models are accessible separators

## Conversion Kits

Kits to convert a SideStreamClean system to a SideStreamCleanPLUS include a single or dual cartridge filter system on a skid (shown below) and instructions for conversion.



**TBI/TBX Model**  
 TBI/TBX-0065  
 TBI/TBX-0100  
 TBI/TBX-0145  
 TBI/TBX-0200  
 TBI/TBX-0280  
 TBI/TBX-0400  
 \*TBI/TBX-0525  
 \*TBI/TBX-0825  
 \*TBI/TBX-1100  
 \*TBI/TBX-1670

**Conversion Kit**  
 PLUS-0065-TB/TC  
 PLUS-0100-TB/TC  
 PLUS-0145-TB/TC  
 PLUS-0200-TB/TC  
 PLUS-0280-TB/TC  
 PLUS-0400-TBI/TBX  
 PLUS-0525-TBI/TBX  
 PLUS-0825-TBI/TBX  
 PLUS-1100-TBI/TBX  
 PLUS-1670-TBI/TBX

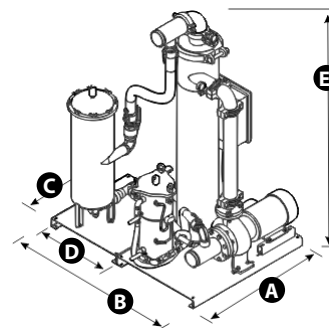
\*Dual cartridge filters

## Dimensions

SPX Model	Dim A		Dim B		Dim C		Dim D		Dim E	
	inches	mm	inches	mm	inches	mm	inches	mm	inches	mm
0065-SRV	39 3/4	1010	48	1219	24	610	24	610	50	1271
0100-SRV	39 3/4	1010	48	1219	24	610	24	610	54 1/2	1384
0145-SRV	39 3/4	1010	52	1321	24	610	24	610	55 3/8	1407
0200-SRV	39 3/4	1010	52	1321	24	610	24	610	57 3/8	1457
0280-SRV	39 3/4	1010	52	1321	28	711	24	610	74 1/16	1891
0400-SRV	48	1219	54	1372	28	711	24	610	76 11/16	1948
*0525-SRV	48	1219	54	1372	39 3/4	1010	24	610	76 11/16	1948
*0825-SRV	60	1524	60	1524	39 3/4	1010	24	610	93 5/8	2378
*1100-SRV	60	1524	60	1524	39 3/4	1010	24	610	93 5/8	2378

\*Dual cartridge filters

SideStreamCleanPLUS



## Configurations

SPX Model	Separator Model	Flow US gpm	Flow m <sup>3</sup> /hr	Cartridge**		Inlet (grv/flgd)	Outlet (grooved)	SPX / Weight		Pump HP	Full Load Amperage		
				Flow US gpm	Flow m <sup>3</sup> /hr			Empty (lbs)	Empty (kg)		230V	460V	575V
0065-SRV	HTX-0038	65	15	10	2.3	2" grv	1-1/2"	566	257	1.5	4	2	1.7
0100-SRV	HTX-0060	100	23	20	4.5	3" grv	2"	646	293	2	5.3	2.7	2.2
0145-SRV	HTX-0085	145	33	30	6.8	3" grv	2-1/2"	800	363	3	8.3	4.2	3.4
0200-SRV	HTX-0130	200	45	30	6.8	3" grv	3"	833	378	5	13.7	6.8	5.5
0280-SRV	HTX-0200	280	64	50	11.4	4" grv	4"	987	448	5	13.7	6.8	5.5
0400-SRV	HTX-0285	400	91	50	11.4	6" flgd	4"	1293	587	7.5	20.3	10.1	8.1
0525-SRV	HTX-0285	525	119	90	20.4	6" flgd	4"	1533	695	15	38	18.9	15.3
0825-SRV	HTX-0450	825	187	90	20.4	8" flgd	6"	1990	903	20	49	24.7	19.7
1100-SRV	HTX-0500	1100	250	90	20.4	8" flgd	6"	1996	905	20	49	24.7	19.7

\* Cartridge filters available in 0.35, 1, 5 and 10 micron sizes  
 All SideStreamCleanPLUS systems are rated for 150 psi (10.3 bar) maximum pressure

LAKOS is the recognized leader in solids removal from liquids in the Heat Transfer Industry. With the most complete line of filtration, including separators, media and cartridge filtration, LAKOS can provide you with the best filtration solutions to your fouling problems. Choose LAKOS for customized solutions to your filtration needs.

LAKOS products are protected under multiple U.S. and foreign patents and trademarks. For details contact LAKOS.



Scan for more info on our PLUS Systems



1365 North Clovis Avenue  
 Fresno, California 93727  
 info@lakos.com

www.lakos.com