



PACKAGED SEPARATOR SYSTEMS

- Energy-Efficient, Environmentally-Friendly Designs
- Reduce Biofouling and Health Risks
- Minimize Maintenance and Downtime
- Helps to Prevent Underdeposit Corrosion in Piping and Heat Exchangers
- Optimize the Effectiveness of Water Treatment Programs
- Maximize Equipment Life
- Zero Liquid Loss for Closed Loop Systems



TBX SYSTEM INSTALLED IN A HOSPITAL

SIDE STREAM CLEAN SYSTEMS

Water Filtration for Chillers and Heat Exchangers

TBX SERIES

Featuring Accessible Separator

With Solids Recovery Vessel



TBI SERIES

Featuring Non-accessible Separators

With Automated Ball Valve (optional)

WATER USAGE	SOLIDS METER	MAINTENANCE
<p>Zero Water Loss Options Available</p>	<p>Micron (μm) Removal</p>	<p>Zero Maintenance</p>

FLOW RANGE:

30-1,670 U.S. gpm* (7-379 m³/hr)

STANDARD PRESSURE RATING:

150 psi on TBI/TBX (10.3 bar)

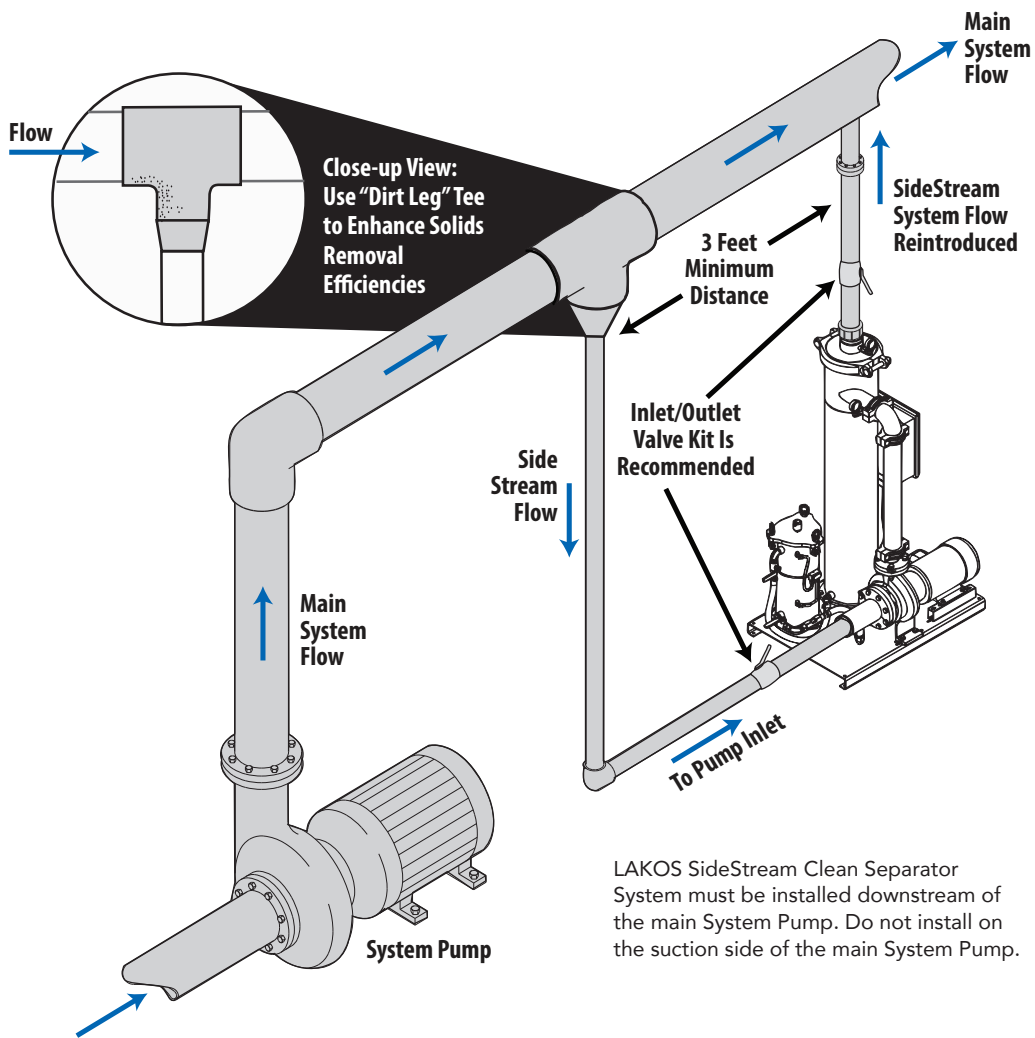
MAX. FLUID OPERATING TEMP:

140°F (60°C)

*Contact LAKOS for higher flow rate options

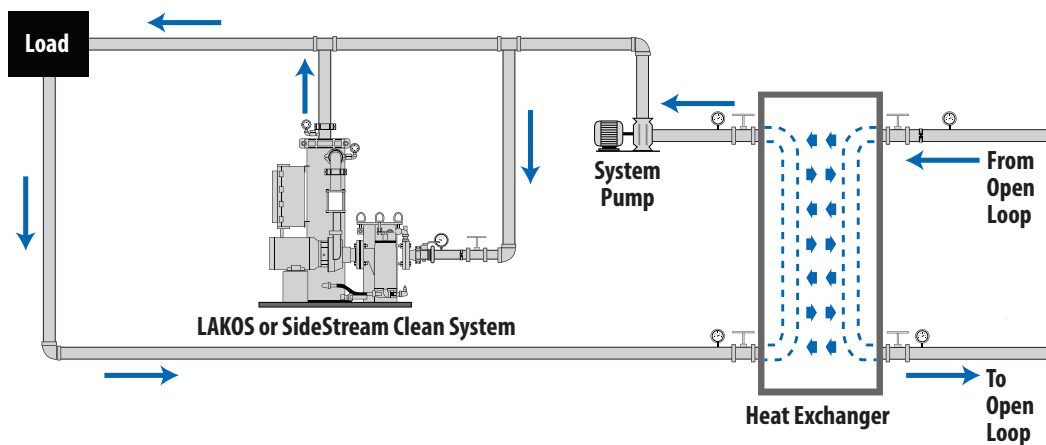
TYPICAL INSTALLATIONS

HEAT TRANSFER SYSTEM CLEANING with SideStream Clean



LAKOS SideStream Clean Separator System must be installed downstream of the main System Pump. Do not install on the suction side of the main System Pump.

CLOSED LOOP Installation Option



GENERAL SPECIFICATIONS

CONFIGURATIONS

TBI/TBX Model	Separator Model TBI TBX		Flow GPM m3/hr		Inlet (grv/flgd)		Outlet (grooved)		Empty Weight						Pump HP Full Load Amperage 230V 460V 575V		
									TBI			TBX					
									SRV lbs	ABV kg	SRV or ABV lbs	SRV or ABV kg	SRV or ABV lbs	SRV or ABV kg			
0030	ILB-0100	HTX-0016	30	7	1-1/2" thd	1"	282	128	213	97	320	145	1	4.2	2.1	1.7	
0065	ILB-0150	HTX-0038	65	15	2" thd	1-1/2"	322	146	253	115	400	181	1.5	6	3	2.4	
0100	ILB-0200	HTX-0060	100	23	3" flgd	2"	371	168	300	136	494	224	2	6.8	3.4	2.7	
0145	ILB-0250	HTX-0085	145	33	3" grv	2-1/2"	492	224	427	194	637	289	3	9.6	4.8	3.9	
0200	ILB-0300	HTX-0130	200	45	4" grv	3"	514	233	438	199	665	302	5	15.2	7.6	6.1	
0280	ILB-0350	HTX-0200	280	64	4" grv	4"	531	241	456	207	803	364	5	15.2	7.6	6.1	
0400	HTH-0285	HTX-0285	400	91	6" flgd	4"	980	455	980	455	1083	491	7.5	22	11	9	
0525	HTH-0285	HTX-0285	525	119	6" flgd	4"	1086	493	1086	493	1156	524	15	42	21	17	
0825	HTH-0450	HTX-0450	825	187	8" flgd	6"	1528	693	1528	693	1567	711	20	54	27	22	
1100	HTH-0500	HTX-0500	1100	250	8" flgd	6"	1534	696	1534	696	1579	716	20	54	27	22	
1670	HTH-0810	HTX-0810	1670	379	10" flgd	8"	2424	1100	2424	1100	2447	1110	25	61	31	25	

DIMENSIONS

TBI Model	Dimension A: Length		Dimension B: Width		Dimension E: Height	
	Inches	mm	Inches	mm	Inches	mm
0030-SRV	41	1041	24-1/2	622	55-5/16	1405
0030-ABV	32-1/2	826	24-1/2	622	55-5/16	1405
0065-SRV	41	1041	24-1/2	622	54-15/16	1395
0065-ABV	32-1/2	826	24-1/2	622	54-15/16	1395
0100-SRV	41	1041	24-1/2	622	55-15/16	1421
0100-ABV	33-5/8	854	24-1/2	622	55-15/16	1421
0145-SRV	41	1041	24-1/2	622	56-9/16	1437
0145-ABV	33-5/8	854	24-1/2	622	56-9/16	1437
0200-SRV	42	1067	28-1/2	724	61-3/4	1568
0200-ABV	35-1/4	895	28-1/2	724	61-3/4	1568
0280-SRV	42	1067	28-1/2	724	61-3/4	1568
0280-ABV	35-1/4	895	28-1/2	724	61-3/4	1568
0400	48	1219	30	762	69-7/16	1764
0525	48	1219	30	762	69-7/16	1764
0825	60	1524	36	914	85	2159
1100	60	1524	36	914	85	2159
1670	97-7/8	2486	60	1524	61-9/16	1564

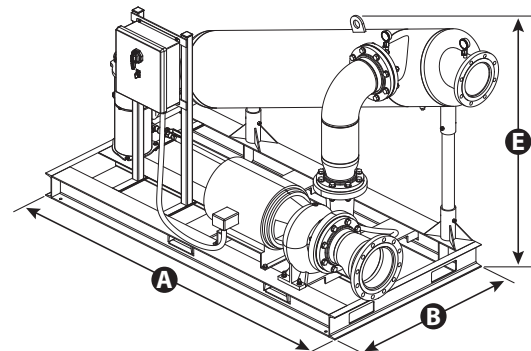
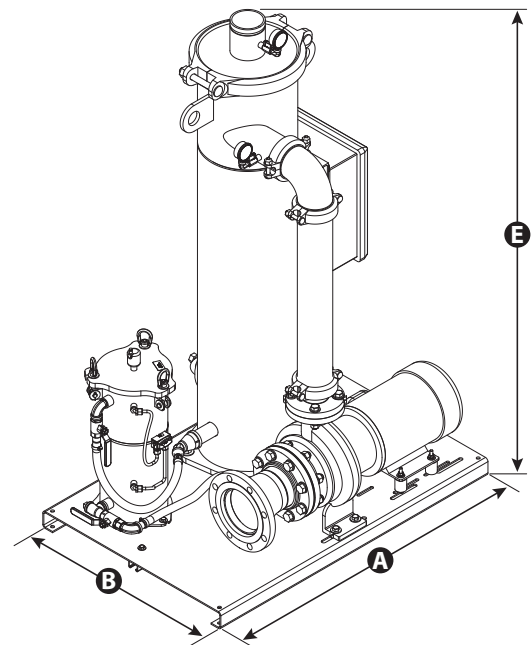
TBX Model	Dimension A: Length		Dimension B: Width		Dimension E: Height	
	Inches	mm	Inches	mm	Inches	mm
0030	39-3/4	1010	24	610	46-1/8	1172
0065	39-3/4	1010	24	610	46-1/8	1172
0100	39-3/4	1010	24	610	46-1/8	1222
0145	39-3/4	1010	28	711	49-1/4	1251
0200	39-3/4	1010	28	711	51-1/4	1302
0280	39-3/4	1010	28	711	67-1/16	1703
0400	48	1219	30	762	69-7/16	1764
0525	48	1219	30	762	69-7/16	1764
0825	60	1524	36	914	85-1/16	2161
1100	60	1524	36	914	85-1/16	2161
1670	97-7/8	2486	60	1524	63-1/8	1603

More detailed CAD drawings and CSI specifications are available at www.lakos.com.

All SideStream Clean systems are rated for 150 psi (10.3 bar) maximum pressure.

NOTE: All SideStream Clean and PLUS systems do not include a pump suction strainer.

*Select voltages may have different pump horsepower.



TB Models 0825, 1100 and 1670 are available in low profile.

SYSTEM PURGE OPTIONS

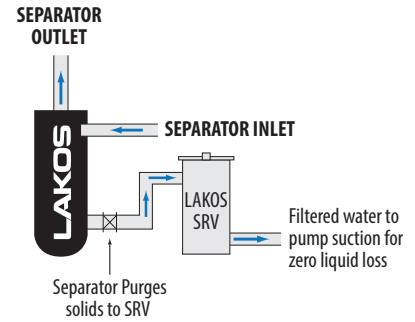
SOLIDS RECOVERY VESSEL (SRV)

Features and Benefits

- Capture separated solids easily and return clean liquid back to TC pump suction; eliminating liquid loss
- Continuous operation; remove collected solids without interrupting system flow for service
- Lower waste treatment costs, meet waste disposal requirements and greatly reduce chemical loss
- Optional dry contact available for remote monitoring with BMS (Building Management System) connection or audio/visual alarms for bag changes
- For more information see LAKOS literature LS-622



SRV-816 & SRV-833



Solids Recovery Vessel (SRV) helps capture separated solids from LAKOS Separators – and return clean liquid back to the system through pump suction for zero liquid loss.

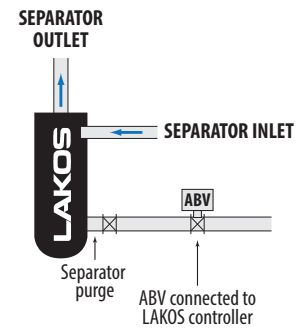
AUTOMATED BALL VALVE (ABV)

Features and Benefits

- Eliminates manual purging
- ABV actuator features an electronic circuit that automatically adjusts the motor speed (depending on torque variations) to keep cycle time constant — maintaining consistent purge durations
- ABV actuator housing is made of a V0 self-extinguish class techno-polymer material for fire safety
- Can be combined with an SRV to offer temporary hands-off operation
- For more information see LAKOS literature LS-239



ABV



ABV and LAKOS Controller automatically purge separated solids from Separator's collection chamber at pre-determined time intervals – eliminating manual purging.

Models	Valve Diameter	
	Inches	mm
ABV-07	3/4"	19.05
ABV-15	1-1/2"	38.1
ABV-20	2"	50.8

Purge controller is required and included as part of valve kit.



SCAN HERE TO LEARN MORE



1365 N. Clovis Avenue • Fresno, California 93727 USA

Telephone: (559) 255-1601 • info@lakos.com

www.lakos.com

LAKOS products are protected under multiple U.S. and foreign patents and trademarks. For details contact LAKOS.