

EXCEPT AS OTHERWISE PROVIDED BY CONTRACT, THIS DRAWING AND SPECIFICATIONS SHALL NOT BE REPRODUCED, COPIED OR USED AS THE BASIS FOR MANUFACTURE OR SALE OF MATTER DEPICTED HEREIN WITHOUT THE EXPRESSED WRITTEN PERMISSION OF THE LAKOS CORPORATION, OR ITS ASSIGNEES.

THIS DRAWING HAS BEEN GENERATED AND IS MAINTAINED BY A CAD SYSTEM. CHANGES SHALL ONLY BE INCORPORATED AS DIRECTED BY AN APPROVED ENGINEERING CHANGE ORDER (ECO). PAPER COPIES ARE UNCONTROLLED.

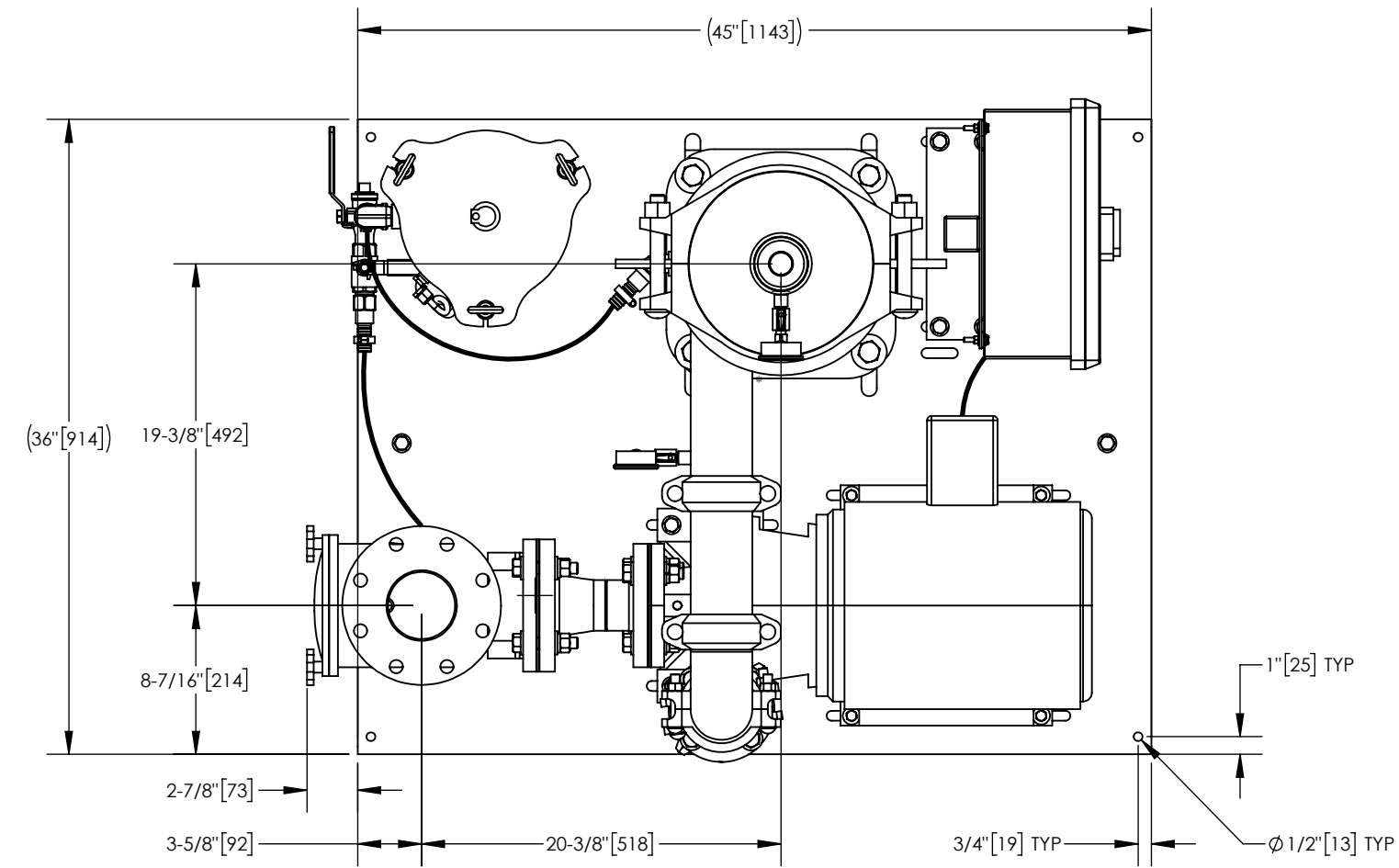
REVISION HISTORY				
ZONE	REV	DESCRIPTION	DATE	APPROVED
	01	RELEASED FOR SUBMITTAL	1/12/21	AAM

NOTES:

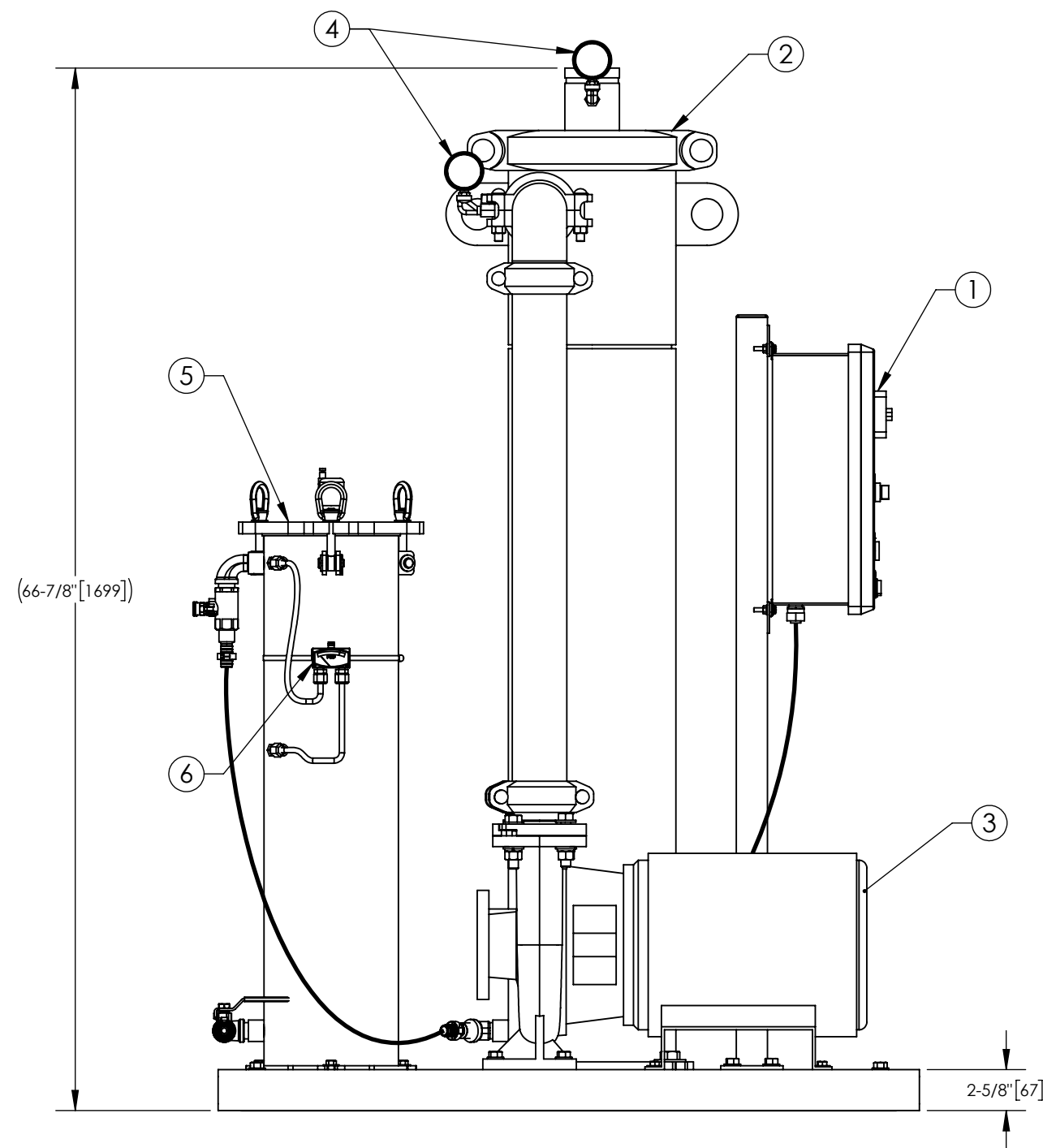
- INLET IS 4" FLANGED (125# ANSI FLANGED).
- OUTLET IS 3" PIPE (GROOVED).
- PURGE OUTLET IS 3/4" PIPE.
- MAXIMUM PRESSURE: 150 psi (10.3 bar).
- MAXIMUM FLUID TEMPERATURE: 100°F (37.8°C).
- MAXIMUM AMBIENT TEMPERATURE: 100°F (37.8°C).
- SPECIFIED FLOW RATES:
 BASIN SWEEPING - 210 gpm (48 m³/hr).
 SIDE STREAM & CLOSED LOOP- 250 gpm (57 m³/hr).
- FINISH: AS ASSEMBLED.
- POWER REQUIREMENT: 3/60/208-230,460V. (CUSTOMER SPECIFIED)
- NEMA 4X MOTOR STARTER ENCLOSURE WITH SAFETY DISCONNECT AND H.O.A. SWITCH.
- APPROXIMATE DRY WEIGHT: 1022 lbs (463 kg).
- INLET/OUTLET VALVE KIT RECOMMENDED: SEE FACTORY.
- MINIMUM PIPE FROM TOWER BASIN TO TC SYSTEM IS 4" PIPE.
- FLOODED SUCTION REQUIRED.

COMPONENT LIST:

- ELECTRICAL CONTROL BOX: 3/60/208-230,460V, W/120V TRANSFORMER.
- SEPARATOR: eHTX-0090-V.
- PUMP: 7.5 HP CENTRIFUGAL, 1750 rpm, 3/60/208-230,460V.
- INLET/OUTLET PRESSURE GAUGES: 0-160 psi, GLYCERIN-FILLED.
- PURGE EQUIPMENT: SRV-0833.
- DIFFERENTIAL PRESSURE INDICATOR: (AVAILABLE WITH DRY ELECTRIC CONTACT-MODEL DHE-15-S. ORDER SEPARATELY).
- STRAINER SUCTION DIFFUSER.



TOP VIEW

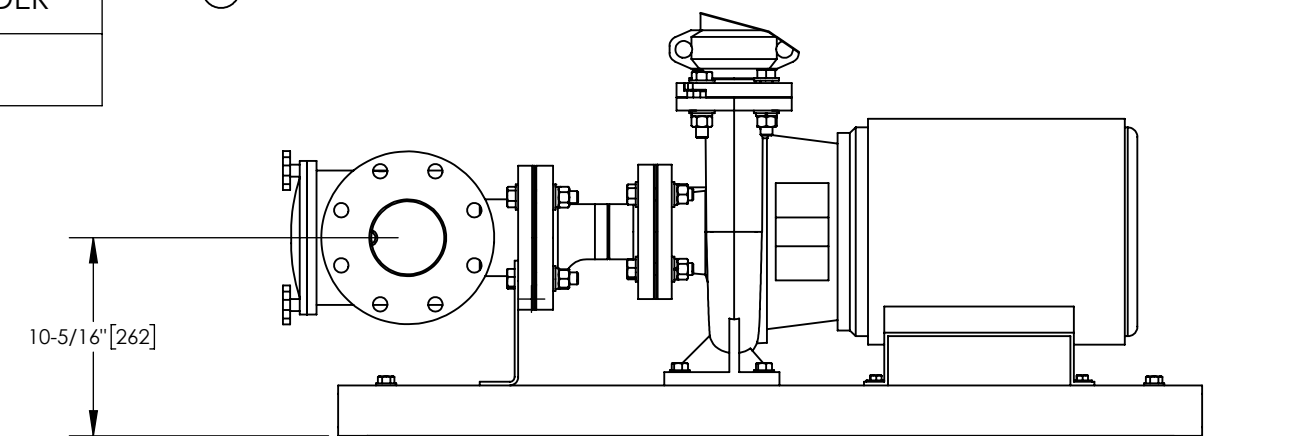


FRONT VIEW W/O STRAINER

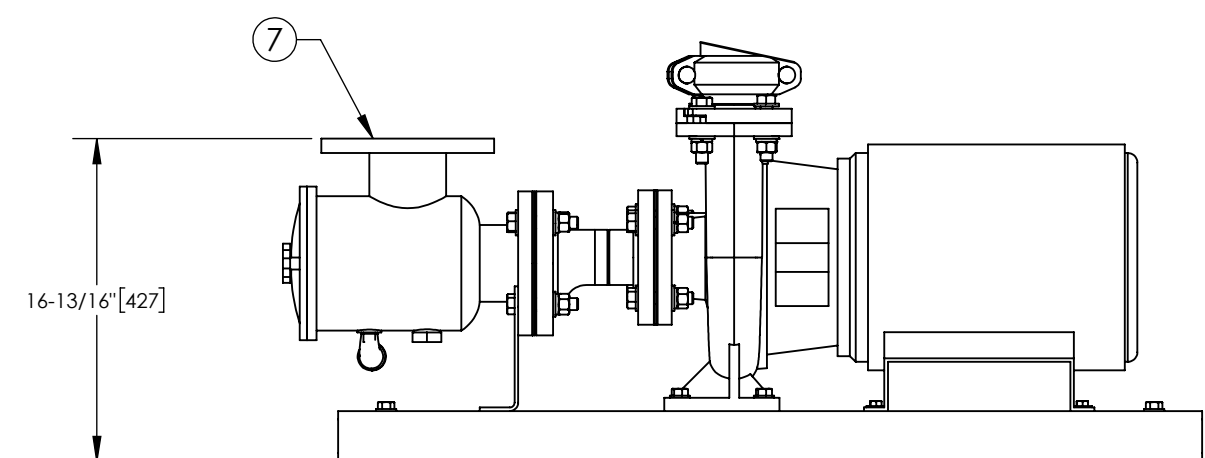
SUBMITTAL DRAWING

This drawing is submitted for spatial consideration only. Do not pre-plumb to these dimensions.

184844-208	FOR OTHER VOLTAGES ORDER
184844-230	FOR OTHER VOLTAGES ORDER
184844-460	SHOWN



FRONT VIEW W/ROTATED STRAINER



FRONT VIEW W/STRAINER

UNLESS OTHERWISE SPECIFIED: DIMENSIONS ARE IN: INCHES [mm] TOLERANCES ARE: FRACTIONS DECIMALS ANGLES ± 1" .XX ± .01 ± 1/4" .XXX ± .005 .XXXX ± .0005	ENGINEERED FOR: STANDARD		TITLE			
	APPROVALS		DATE	eTCX-0210-SRV/ACP1, TC SYSTEM, HI EFFICIENCY eHTX-0090, 3/60/208-230, 460V		
DO NOT SCALE DRAWING	DRAWN AAM	1/8/21	SIZE C	MODEL NO.	DWG NO. 184844	REV. 01
MATERIAL PER LAKOS SPEC	ENGR	-	SCALE 1:10	EST. WT. 1022 lb	SHEET 1 OF 1	
FINISH AS ASSEMBLED	REVIEW	-				
	WORK ORDER					

DWG NO. 184844
SHEET 1
REV. 01