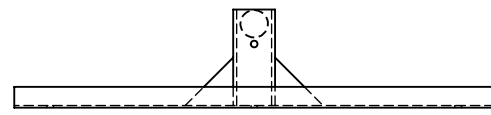
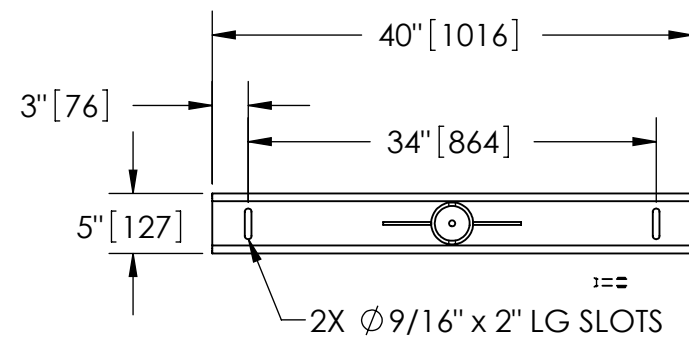


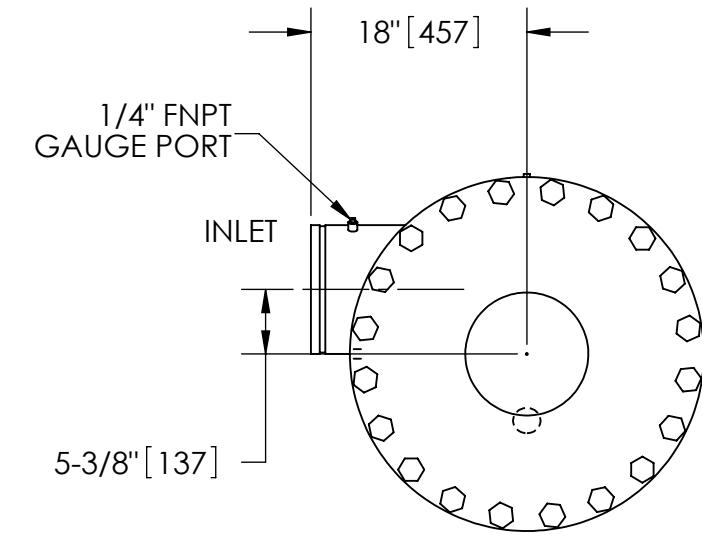
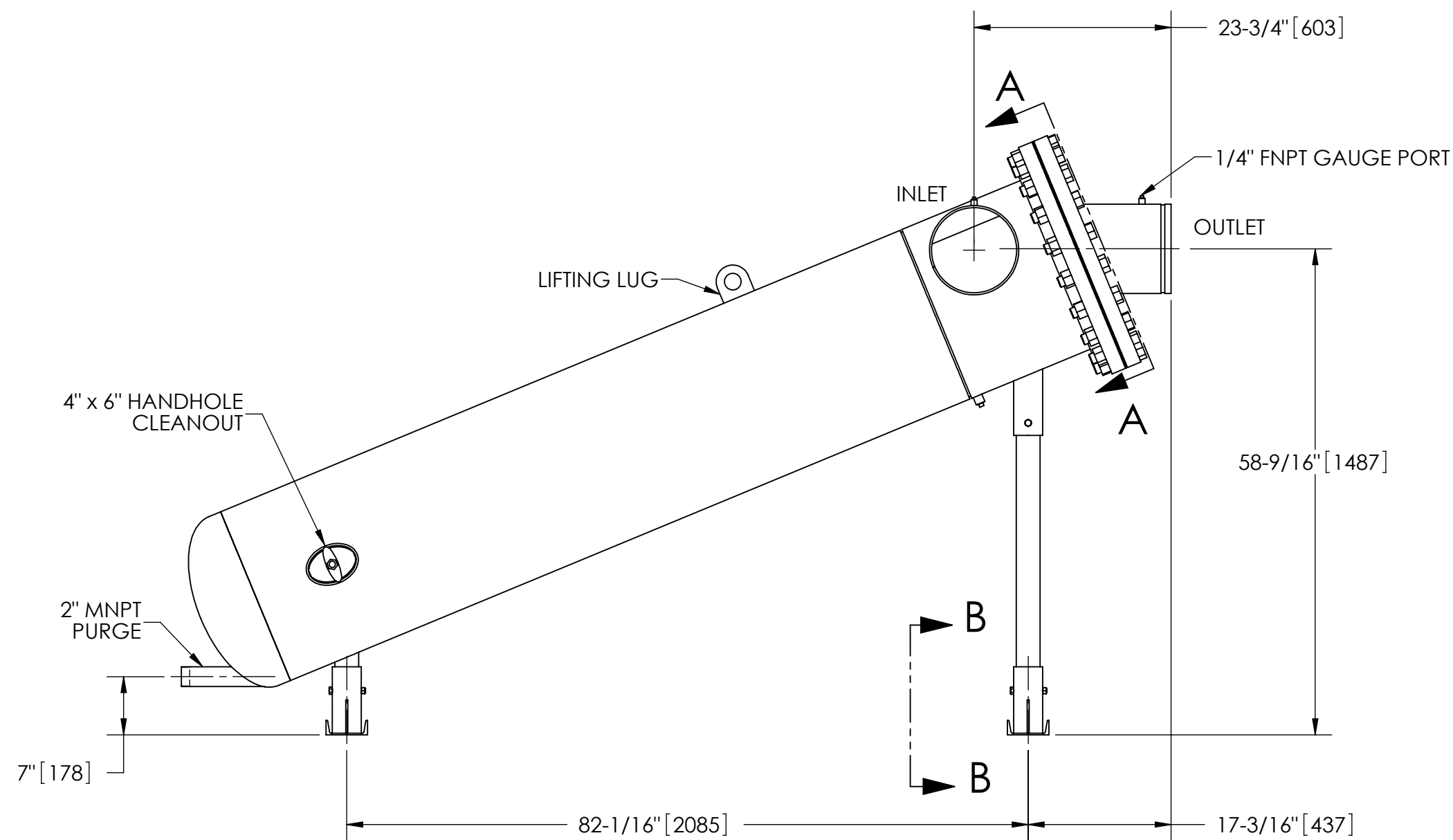
EXCEPT AS OTHERWISE PROVIDED BY CONTRACT, THIS DRAWING AND SPECIFICATIONS SHALL NOT BE REPRODUCED, COPIED OR USED AS THE BASIS FOR MANUFACTURE OR SALE OF MATTER DEPICTED HEREIN WITHOUT THE EXPRESSED WRITTEN PERMISSION OF THE CLAUDE LAVAL CORPORATION, OR ITS ASSIGNEES.

NOTES:

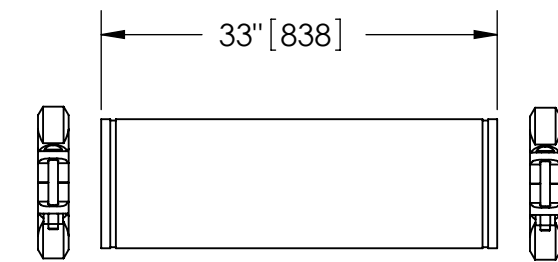
1. INLET & OUTLET ARE 10" GROOVED PIPE.
2. MAXIMUM PRESSURE: 150 psi (10.3 bar).
3. MAXIMUM TEMPERATURE: 180°F (82.2°C).
4. PRESSURE LOSS: 3-12 psid (.2-.8 bar) AT RATED FLOW.
5. RATED FLOW: 1275-3100 gpm (290-704 m³/hr).
6. APPROXIMATE DRY WEIGHT: 1280 lbs (581 kg).
7. FINISH: LAKOS BLACK (EXTERIOR ONLY).



SECTION B-B



SECTION A-A



GROOVED SPOOL
 MODEL GCS-1275/1850 (AVAILABLE SEPARATELY)
 REQUIRED FOR REMOVAL OF TOP ASSEMBLY

SUBMITTAL DRAWING

This drawing is submitted for spatial consideration only. Do not pre-plumb to these dimensions.

REVISIONS				
ECN	REV.	DESCRIPTION	DATE	APPROVED

THIS DRAWING HAS BEEN GENERATED AND IS MAINTAINED BY A CAD SYSTEM. CHANGES SHALL ONLY BE INCORPORATED AS DIRECTED BY AN APPROVED ENGINEERING CHANGE ORDER (ECO). PAPER COPIES ARE UNCONTROLLED.

UNLESS OTHERWISE SPECIFIED: DIMENSIONS ARE IN: INCHES [mm] TOLERANCES ARE:		ENGINEERED FOR: STANDARD		CLAUDE LAVAL CORP. FRESNO, CALIFORNIA 93727 WWW.LAKOS.COM		LAVAL UNDERGROUND SURVEYS	
FRACTIONS ± 1"	DECIMALS .XX ± .01 .XXX ± .005 .XXXX ± .0005	ANGLES ± 1/4°	APPROVALS	DATE	TITLE HTX-1275-L, SEPARATOR, 1275-3100 gpm, CARBON STEEL		
DO NOT SCALE DRAWING			DRAWN DLW	1/18/06	SIZE MODEL NO. DWG NO. 115285 REV. F		
MATERIAL CLASS P-1 MILD CARBON STEEL			ENGR β	2/3/06	SCALE 1:16 EST. WT. 1280 lb SHEET 1 OF 1		
FINISH LAKOS BLACK			MFG -	-			
			WORK ORDER	QTY.			