

EXCEPT AS OTHERWISE PROVIDED BY CONTRACT, THIS DRAWING AND SPECIFICATIONS SHALL NOT BE REPRODUCED, COPIED OR USED AS THE BASIS FOR MANUFACTURE OR SALE OF MATTER DEPICTED HEREIN WITHOUT THE EXPRESSED WRITTEN PERMISSION OF THE CLAUDE LAVAL CORPORATION, OR ITS ASSIGNEES.

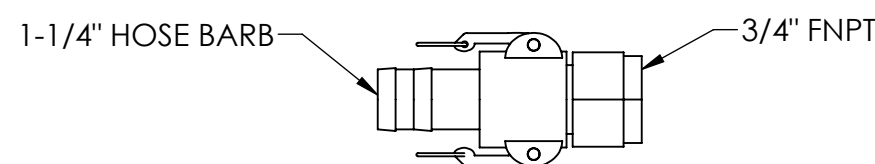
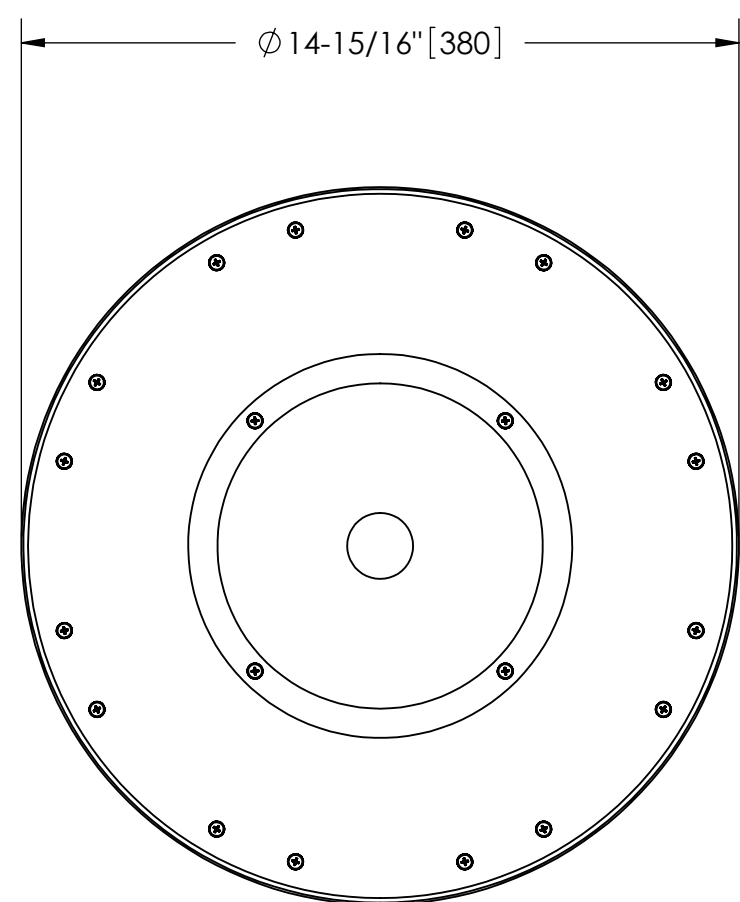
THIS DRAWING HAS BEEN GENERATED AND IS MAINTAINED BY A CAD SYSTEM. CHANGES SHALL ONLY BE INCORPORATED AS DIRECTED BY AN APPROVED ENGINEERING CHANGE ORDER (ECO). PAPER COPIES ARE UNCONTROLLED.

REVISIONS				
ZONE	REV.	DESCRIPTION	DATE	APPROVED
	01	RELEASED FOR SUBMITTAL	4/5/10	AMF
	02	MADE QUICK DISCONNECT ASSEMBLY OPTIONAL, ADDED TABULATED DWG.	9/30/16	CAL

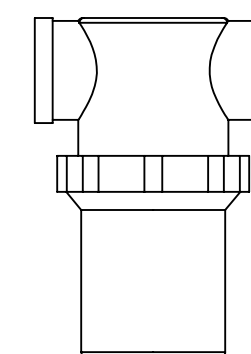
NOTES:

1. OUTLET FLANGE IS 6" FLAT PLATE B16.5 HOLE PATTERN, REQUIRING 8X 3/4" BOLTS (BOLTS AND GASKETS NOT INCLUDED).
2. REQUIRED BACKWASH PRESSURE: 55-80 psi (379.2-551.6 kPa).
3. APPROXIMATE BACKWASH FLOW AT PROPER PRESSURE: 10 gpm. (2.5m³/hr).
4. MAXIMUM FLOWRATE: SEE TABLE.
5. APPROXIMATE DRY WEIGHT: 29 lb (13 kg).
6. FINISH: SEE TABLE.

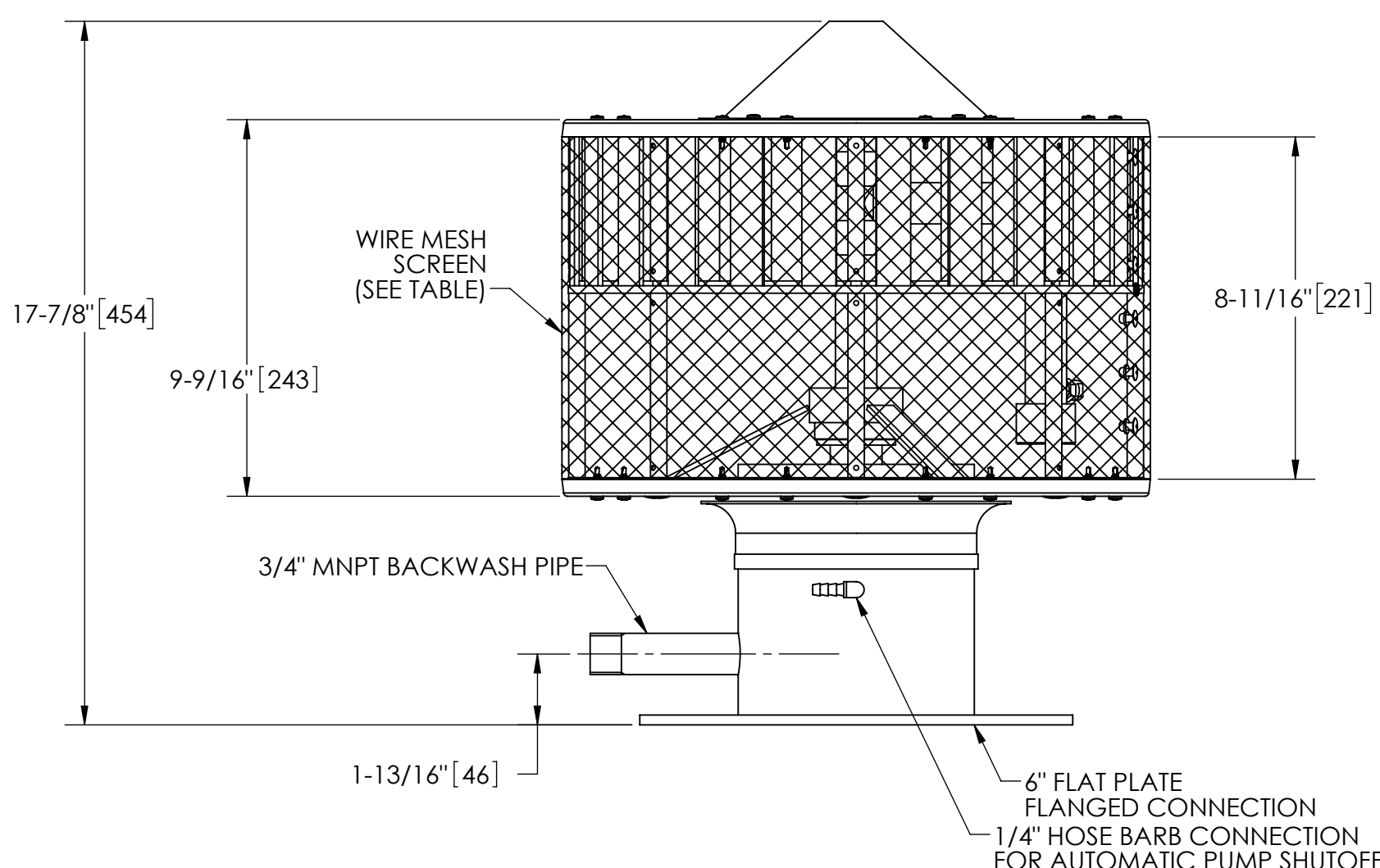
PART NO.	DESCRIPTION	SCREEN MESH	SCREEN MATERIAL	MAXIMUM FLOW RATE		SUCTION PIPE	
				GPM	M³/HR	MATERIAL	FINISH
137795	ISF-915-09/PHB	09	PHOS. BRNZ.	350	80	316L SS	GLASS BLAST
106835	ISF-915-10	10	304 SS	350	80	304L SS	GLASS BLAST
140135	ISF-915-18	18	304 SS	350	80	304L SS	GLASS BLAST
102564	ISF-915-30	30	304 SS	250	60	304L SS	GLASS BLAST



OPTIONAL 1-1/4" QUICK DISCONNECT ADAPTER
(AVAILABLE SEPARATELY)



1-1/4" INLINE STRAINER
(INCLUDED)



SUBMITTAL DRAWING

This drawing is submitted for spatial consideration only. Do not pre-plumb to these dimensions.

UNLESS OTHERWISE SPECIFIED: DIMENSIONS ARE IN: INCHES (mm) TOLERANCES ARE: FRACTIONS DECIMALS ANGLES ± 1/4" .XX ± .01 ± 1/4° .XXX ± .005 .XXXX ± .0005		ENGINEERED FOR: STANDARD		LAKOS. CLAUDE LAVAL CORP. FRESNO, CALIFORNIA 93727 WWW.LAKOS.COM	
DO NOT SCALE DRAWING		APPROVALS	DATE	TITLE	
MATERIAL PER LAKOS SPECS		DRAWN	9/30/16	ISF-915-10, PC SCREEN 9" TALL x 15" DIAMETER	
FINISH SEE TABLE		ENGR	-	SIZE	MODEL NO.
		MFG	-	C	
		WORK ORDER	QTY.	DWG NO.	REV.
				106835	02
				SCALE	EST. WT.
				1:4	29 lb
				SHEET	1 OF 1

DWG. NO. 106835 SHEET REV. 02