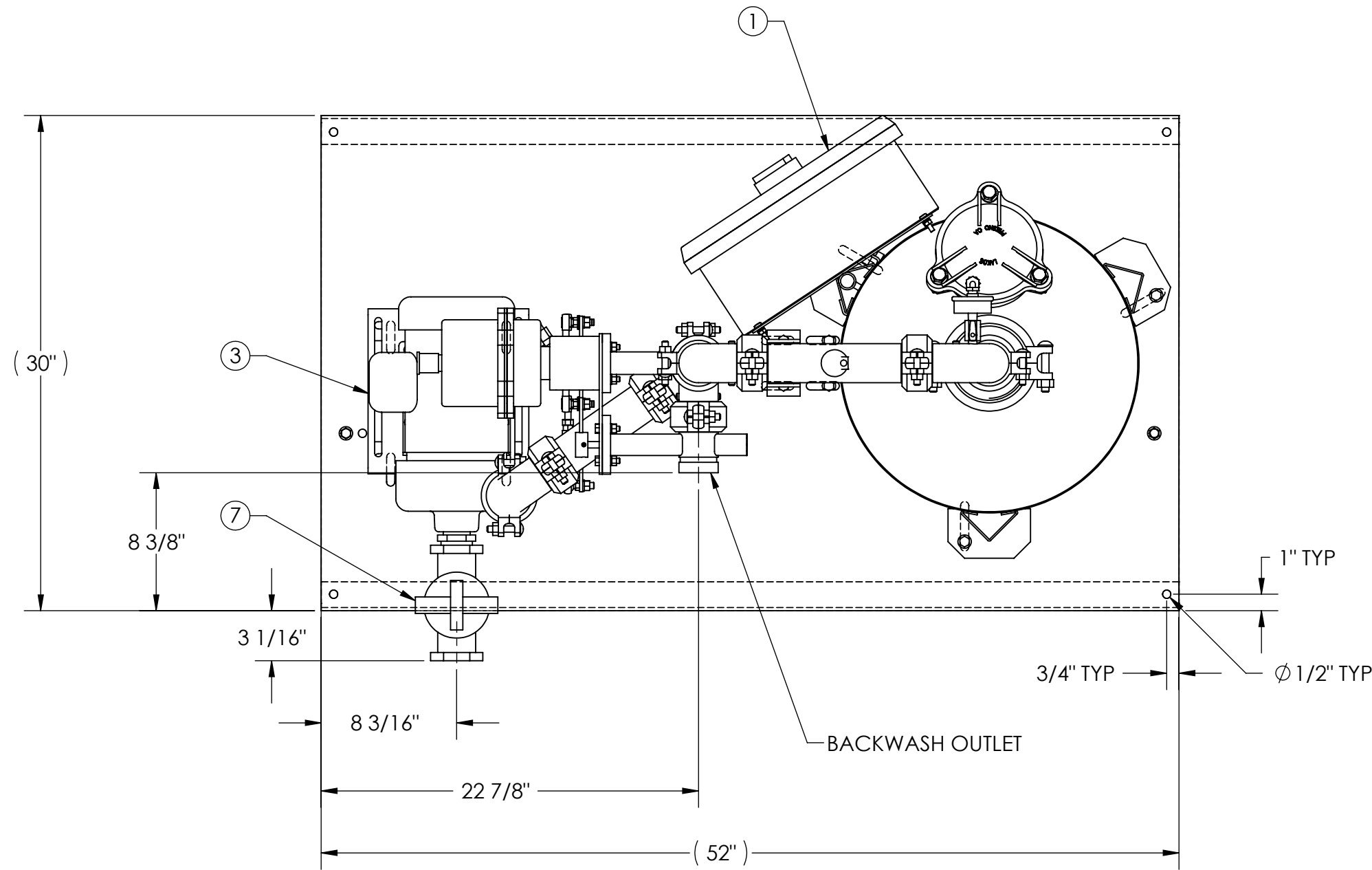


EXCEPT AS OTHERWISE PROVIDED BY CONTRACT, THIS DRAWING AND SPECIFICATIONS SHALL NOT BE REPRODUCED, COPIED OR USED AS THE BASIS FOR MANUFACTURE OR SALE OF MATTER DEPICTED HEREIN WITHOUT THE EXPRESSED WRITTEN PERMISSION OF THE CLAUDE LAVAL CORPORATION, OR ITS ASSIGNEES.

REVISION HISTORY				
ZONE	REV	DESCRIPTION	DATE	APPROVED

THIS DRAWING HAS BEEN GENERATED AND IS MAINTAINED BY A CAD SYSTEM. CHANGES SHALL ONLY BE INCORPORATED AS DIRECTED BY AN APPROVED ENGINEERING CHANGE ORDER (ECO). PAPER COPIES ARE UNCONTROLLED.

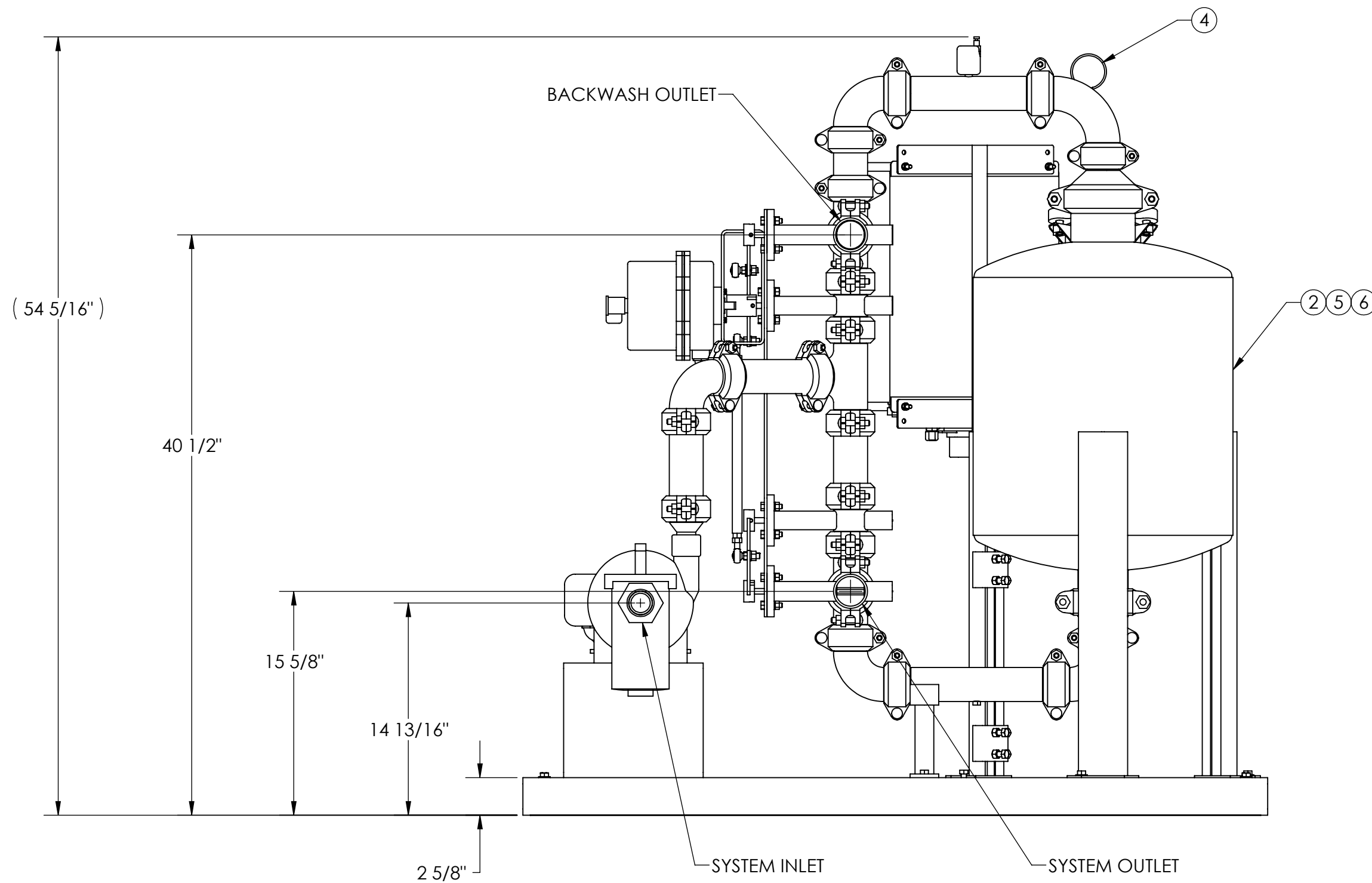


**NOTES:**

1. INLET IS 1-1/2" PIPE (NPT).
2. OUTLET IS 2" PIPE (GROOVED).
3. BACKWASH IS 2" PIPE (GROOVED).
4. MAXIMUM PRESSURE: 100 psi (6.9 bar).
5. MAXIMUM TEMPERATURE: 100°F (37.8°C).
6. SPECIFIED MAXIMUM FLOWRATE OF 45 gpm (10 m³/hr).
7. SPECIFIED MINIMUM BACKWASH FLOWRATE OF 24 gpm (5 m³/hr).
8. FINISH: AS ASSEMBLED.
9. POWER REQUIREMENT: 208V, 3PH, 60Hz.
10. NEMA 4X MOTOR STARTER ENCLOSURE WITH SAFETY DISCONNECT, H.O.A. SWITCH, 24 HR BACKWASH TIMER, AND BACKWASH CYCLE TIMER.
11. APPROXIMATE DRY WEIGHT (INCLUDING 250 lbs SAND): 770 lbs (349 kg).
12. MINIMUM PIPE SIZE TO STS SYSTEM IS 2" PIPE.
13. FLOODED SUCTION REQUIRED.

**COMPONENT LIST:**

- ① ELECTRICAL CONTROL BOX 208V 60Hz W/120V TRANSFORMER.
- ② MEDIA TANK: 18" DIAMETER STAINLESS STEEL FILTER.
- ③ PUMP: 1 HP CENTRIFUGAL, 3500 rpm, TEFC, 208V, 60Hz, CAST IRON.
- ④ INLET/OUTLET PRESSURE GAUGES: 0-100 psi, GLYCERIN-FILLED.
- ⑤ MEDIA: 10 MICRON AT 95% EFFICIENCY - STANDARD  
5 MICRON AT 90% EFFICIENCY - OPTIONAL
- ⑥ UNDERDRAIN: S/40 PVC HEADER, PVC INTERNALLY SLOTTED WELL SCREEN.
- ⑦ BASKET STRAINER, CAST IRON.



**SUBMITTAL DRAWING**

This drawing is submitted for spatial consideration only. Do not pre-plumb to these dimensions.

UNLESS OTHERWISE SPECIFIED: DIMENSIONS ARE IN: INCHES (mm) TOLERANCES ARE: FRACTIONS DECIMALS ANGLES ± 1/2" .XX ± .01 ± 1/4" .XXX ± .005 .XXXX ± .0005	ENGINEERED FOR: 34616-1-11	LAKOS. CLAUDE LAVAL CORP. FRESNO, CALIFORNIA 93727 WWW.LAKOS.COM		LAVAL UNDERGROUND SURVEYS
	APPROVALS	DATE	TITLE	
DO NOT SCALE DRAWING	DRAWN ADJ	2/20/08	STS-18-045-A-S/208V, SS MEDIA SYSTEM, SYSTEM BW, AUTO, 3/60/208V	
MATERIAL PER LAKOS SPEC	ENGR ADJ	2/20/08	SIZE C	MODEL NO.
FINISH AS ASSEMBLED	MFG -	-	DWG NO. 129057	REV. 01
	WORK ORDER	QTY.	SCALE 1:8	EST. WT. 517 lb
			SHEET 1 OF 1	

DWG NO.

129057

SH

REV. 01

A