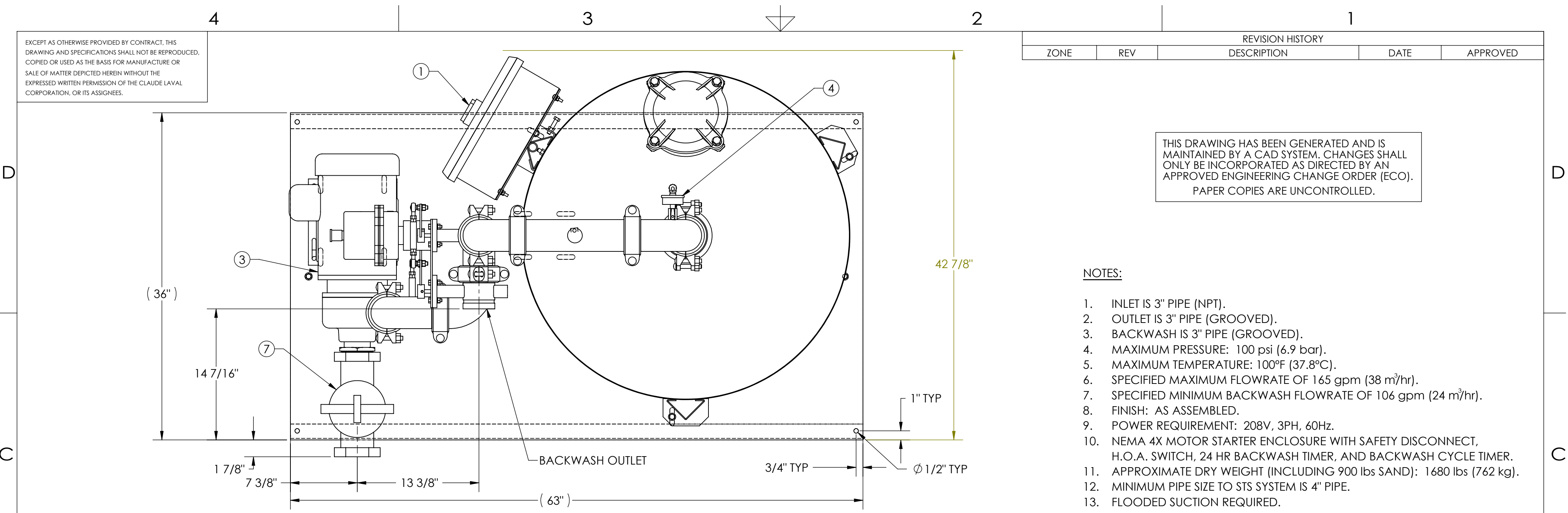


EXCEPT AS OTHERWISE PROVIDED BY CONTRACT, THIS DRAWING AND SPECIFICATIONS SHALL NOT BE REPRODUCED, COPIED OR USED AS THE BASIS FOR MANUFACTURE OR SALE OF MATTER DEPICTED HEREIN WITHOUT THE EXPRESSED WRITTEN PERMISSION OF THE CLAUDE LAVAL CORPORATION, OR ITS ASSIGNEES.

REVISION HISTORY				
ZONE	REV	DESCRIPTION	DATE	APPROVED

THIS DRAWING HAS BEEN GENERATED AND IS MAINTAINED BY A CAD SYSTEM. CHANGES SHALL ONLY BE INCORPORATED AS DIRECTED BY AN APPROVED ENGINEERING CHANGE ORDER (ECO). PAPER COPIES ARE UNCONTROLLED.

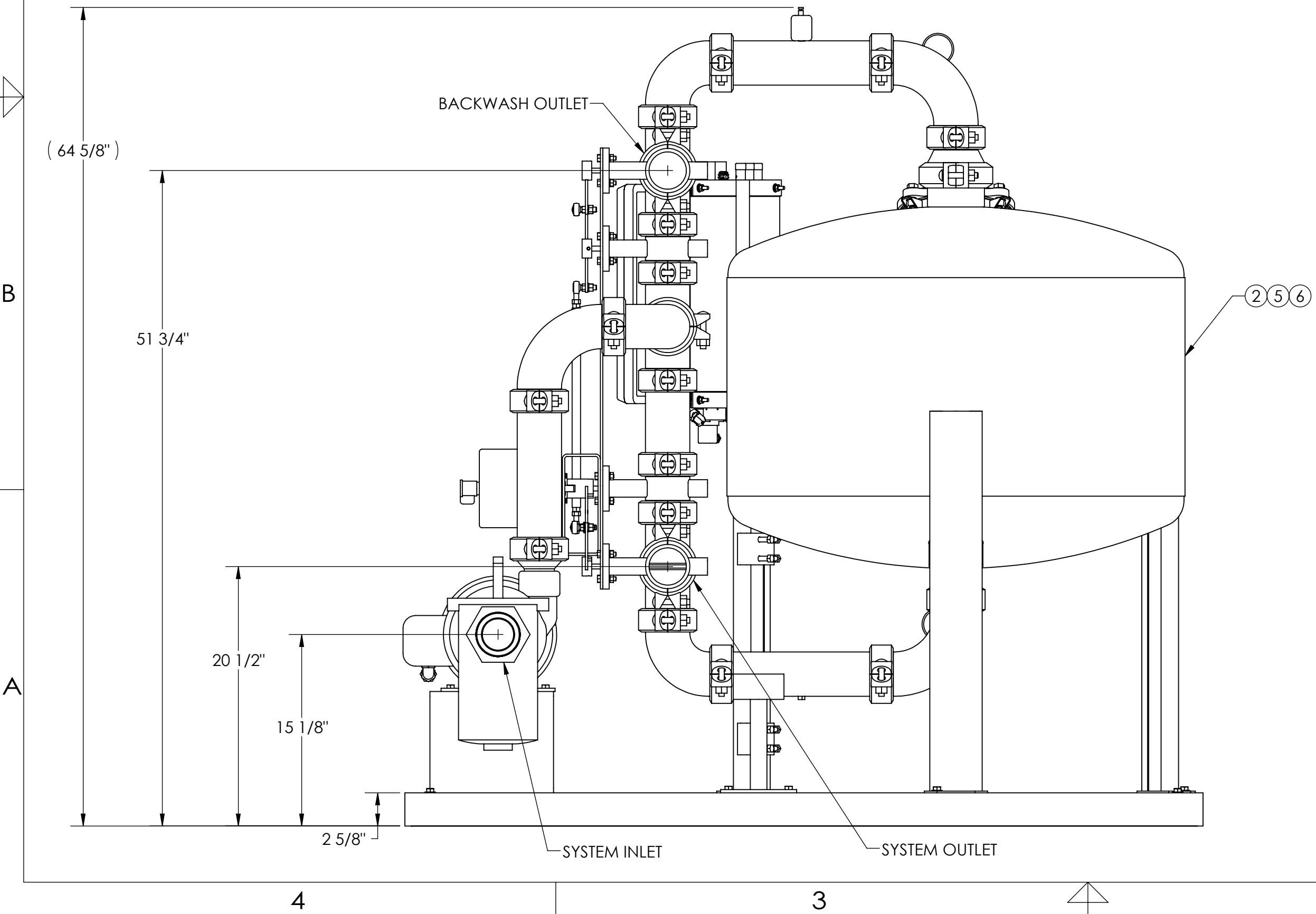


**NOTES:**

1. INLET IS 3" PIPE (NPT).
2. OUTLET IS 3" PIPE (GROOVED).
3. BACKWASH IS 3" PIPE (GROOVED).
4. MAXIMUM PRESSURE: 100 psi (6.9 bar).
5. MAXIMUM TEMPERATURE: 100°F (37.8°C).
6. SPECIFIED MAXIMUM FLOWRATE OF 165 gpm (38 m³/hr).
7. SPECIFIED MINIMUM BACKWASH FLOWRATE OF 106 gpm (24 m³/hr).
8. FINISH: AS ASSEMBLED.
9. POWER REQUIREMENT: 208V, 3PH, 60Hz.
10. NEMA 4X MOTOR STARTER ENCLOSURE WITH SAFETY DISCONNECT, H.O.A. SWITCH, 24 HR BACKWASH TIMER, AND BACKWASH CYCLE TIMER.
11. APPROXIMATE DRY WEIGHT (INCLUDING 900 lbs SAND): 1680 lbs (762 kg).
12. MINIMUM PIPE SIZE TO STS SYSTEM IS 4" PIPE.
13. FLOODED SUCTION REQUIRED.

**COMPONENT LIST:**

- ① ELECTRICAL CONTROL BOX 208V 60Hz W/120V TRANSFORMER.
- ② MEDIA TANK: 36" DIAMETER STAINLESS STEEL FILTER.
- ③ PUMP: 3 HP CENTRIFUGAL, 3500 rpm, TEFC, 208V, 60Hz, CAST IRON.
- ④ INLET/OUTLET PRESSURE GAUGES: 0-100 psi, GLYCERIN-FILLED.
- ⑤ MEDIA: 10 MICRON AT 95% EFFICIENCY - STANDARD  
5 MICRON AT 90% EFFICIENCY - OPTIONAL
- ⑥ UNDERDRAIN: S/40 PVC HEADER, PVC INTERNALLY SLOTTED WELL SCREEN.
- ⑦ BASKET STRAINER, CAST IRON.



**SUBMITTAL DRAWING**

This drawing is submitted for spatial consideration only. Do not pre-plumb to these dimensions.

<small>UNLESS OTHERWISE SPECIFIED: DIMENSIONS ARE IN: INCHES (mm) TOLERANCES ARE: FRACTIONS    DECIMALS    ANGLES ± 1/2"        .XX ± .01        ± 1/4°                  .XXX ± .005                  .XXXX ± .0005</small>	ENGINEERED FOR: <b>STANDARD</b>		CLAUDE LAVAL CORP. FRESNO, CALIFORNIA 93727 WWW.LAKOS.COM		TITLE <b>STS-36-165-A-S/208V, SS MEDIA SYSTEM, SYSTEM BW, AUTO, 3/60/208V</b>
	APPROVALS	DATE	SIZE	MODEL NO.	
	DRAWN ADJ	1/14/08	C		
	ENGR ADJ	1/15/08	SCALE	1:8	
MATERIAL PER LAKOS SPEC	ENGR ADJ	MFG -	DATE -	DWG NO. <b>128959</b>	REV. <b>01</b>
FINISH AS ASSEMBLED	WORK ORDER	QTY.	EST. WT. 780 lb	SHEET 1 OF 1	

DWG. NO. 128959  
 SHEET 01  
 REV. 01