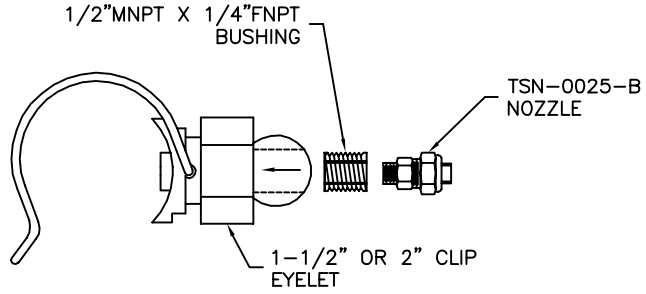
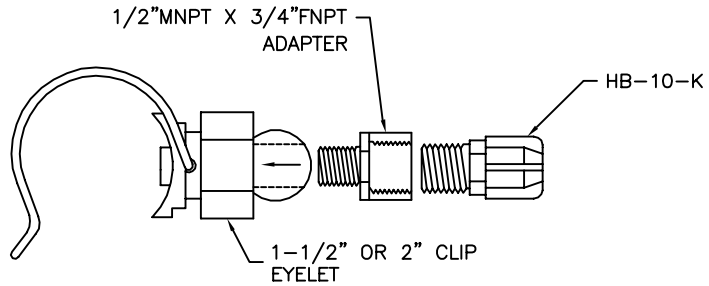
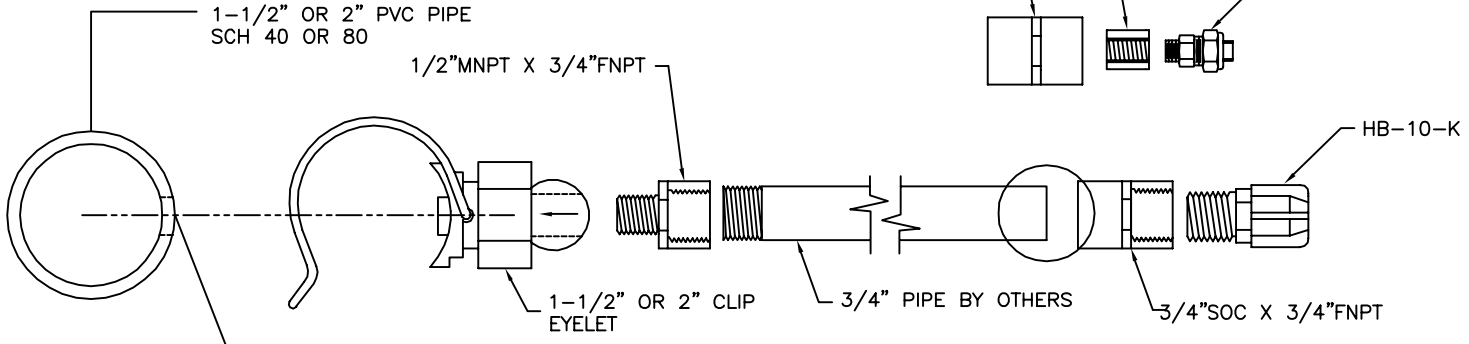


EXCEPT AS OTHERWISE PROVIDED BY CONTRACT, THIS DRAWING AND SPECIFICATIONS SHALL NOT BE REPRODUCED, COPIED OR USED AS THE BASIS FOR MANUFACTURE OR SALE OF MATTER DEPICTED HEREIN WITHOUT THE EXPRESSED WRITTEN PERMISSION OF THE CLAUDE LAVAL CORPORATION, OR ITS ASSIGNEES.

REVISIONS				
ZONE	REV	DESCRIPTION	DATE	APPROVED

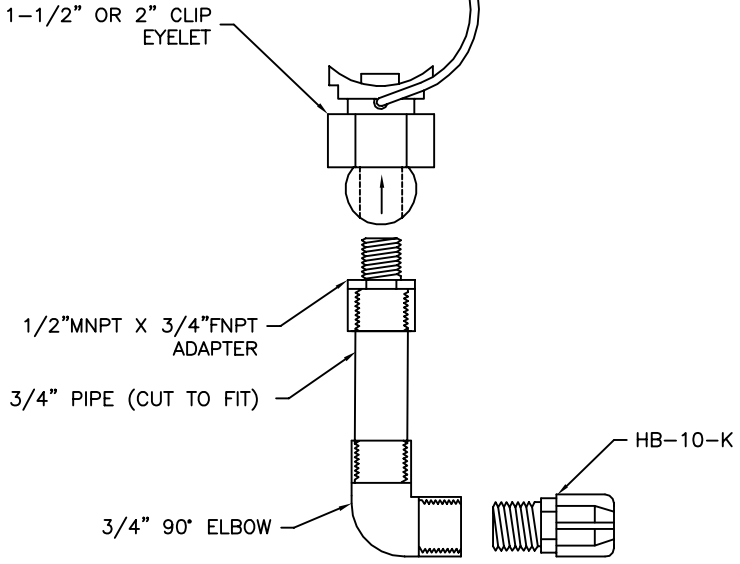


HORIZONTAL INSTALLATION

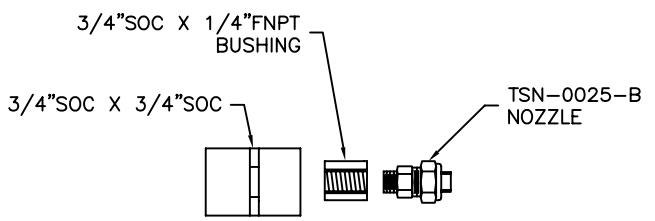


HORIZONTAL INSTALLATION W/ EXTENSION PIPE

DRILL 9/16" HOLE THRU PIPE TO ACCEPT MALE STUB OF CLIP



VERTICAL INSTALLATION



<small>UNLESS OTHERWISE SPECIFIED: DIMENSIONS ARE IN INCHES [mm] TOLERANCES ARE: FRACTIONS DECIMALS ANGLES +1/16" .005 ±.01 ±.005 ±.005 ±1/4° DO NOT SCALE DRAWING</small>	ENGINEERED FOR:	LAKOS CLAUDE LAVAL CORP. 1365 N. CLOVIS AVE. FRESNO, CALIFORNIA 93727		
	APPROVALS:	DATE:	TITLE:	
	DRAWN: ALLYN T	1/18/13	HBC CLIP INSTALL DETAIL FOR HB-10-K & TSN-0025-B	
	REVIEWED:	ENGR:	SCALE: NTS	
FINISH:	WORK ORDER:	QTY:	SHEET 1 OF 1 HBC DETAIL A	