

4

3

2

1

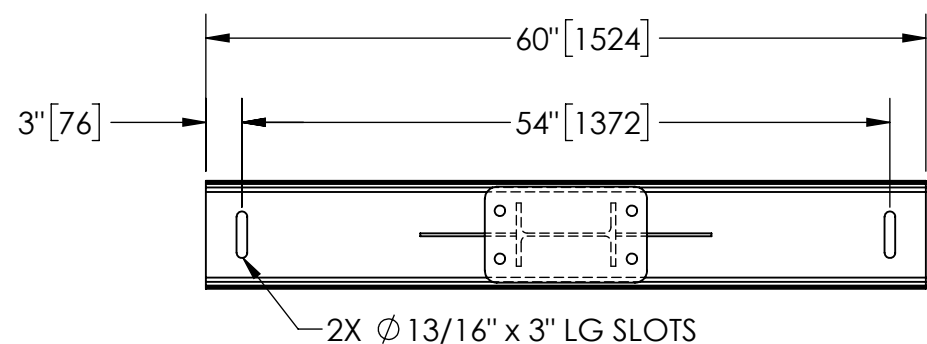
EXCEPT AS OTHERWISE PROVIDED BY CONTRACT, THIS DRAWING AND SPECIFICATIONS SHALL NOT BE REPRODUCED, COPIED OR USED AS THE BASIS FOR MANUFACTURE OR SALE OF MATTER DEPICTED HEREIN WITHOUT THE EXPRESSED WRITTEN PERMISSION OF THE LAKOS CORPORATION, OR ITS ASSIGNEES.

NOTES:

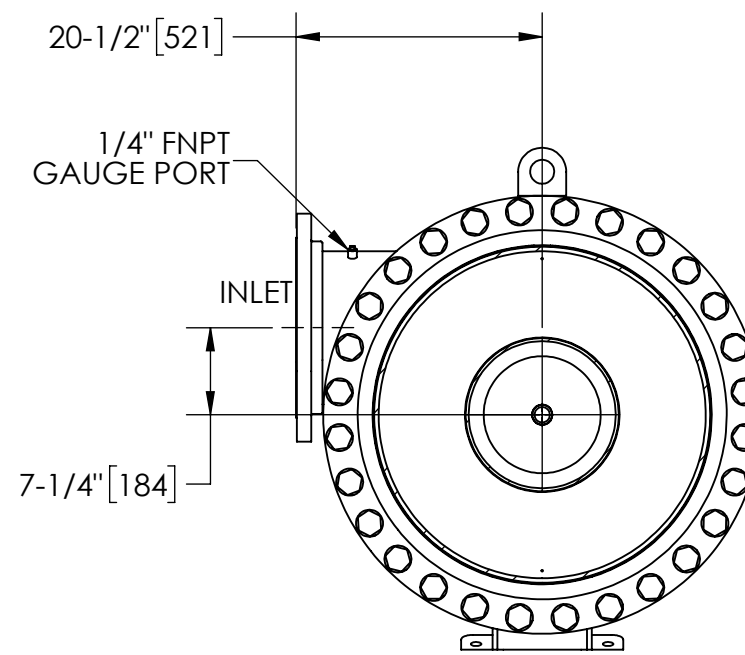
1. INLET & OUTLET FLANGES ARE 12" 150# RF PER ANSI B16.5 REQUIRING 12X  $\phi$  7/8" BOLTS (BOLTS AND GASKETS NOT INCLUDED).
2. MAXIMUM PRESSURE: 150 psi (10.3 bar).
3. MAXIMUM TEMPERATURE: 180°F (82.2°C).
4. PRESSURE LOSS: 3-12 psid (.2-.8 bar) AT RATED FLOW.
5. RATED FLOW: 2650-4900 gpm (600-1115 m<sup>3</sup>/hr).
6. APPROXIMATE DRY WEIGHT: 3810 lbs (1720 kg).
7. FINISH: LAKOS BLUE (EXTERIOR ONLY).

REVISION HISTORY				
ZONE	REV	DESCRIPTION	DATE	APPROVED
	E	UPDATED TO CURRENT STANDARDS	7/21/2022	YL

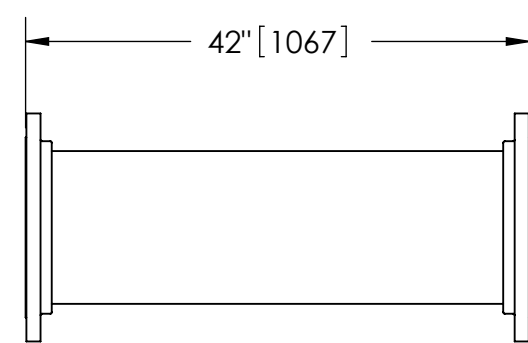
THIS DRAWING HAS BEEN GENERATED AND IS MAINTAINED BY A CAD SYSTEM. CHANGES SHALL ONLY BE INCORPORATED AS DIRECTED BY AN APPROVED ENGINEERING CHANGE ORDER (ECO). PAPER COPIES ARE UNCONTROLLED.



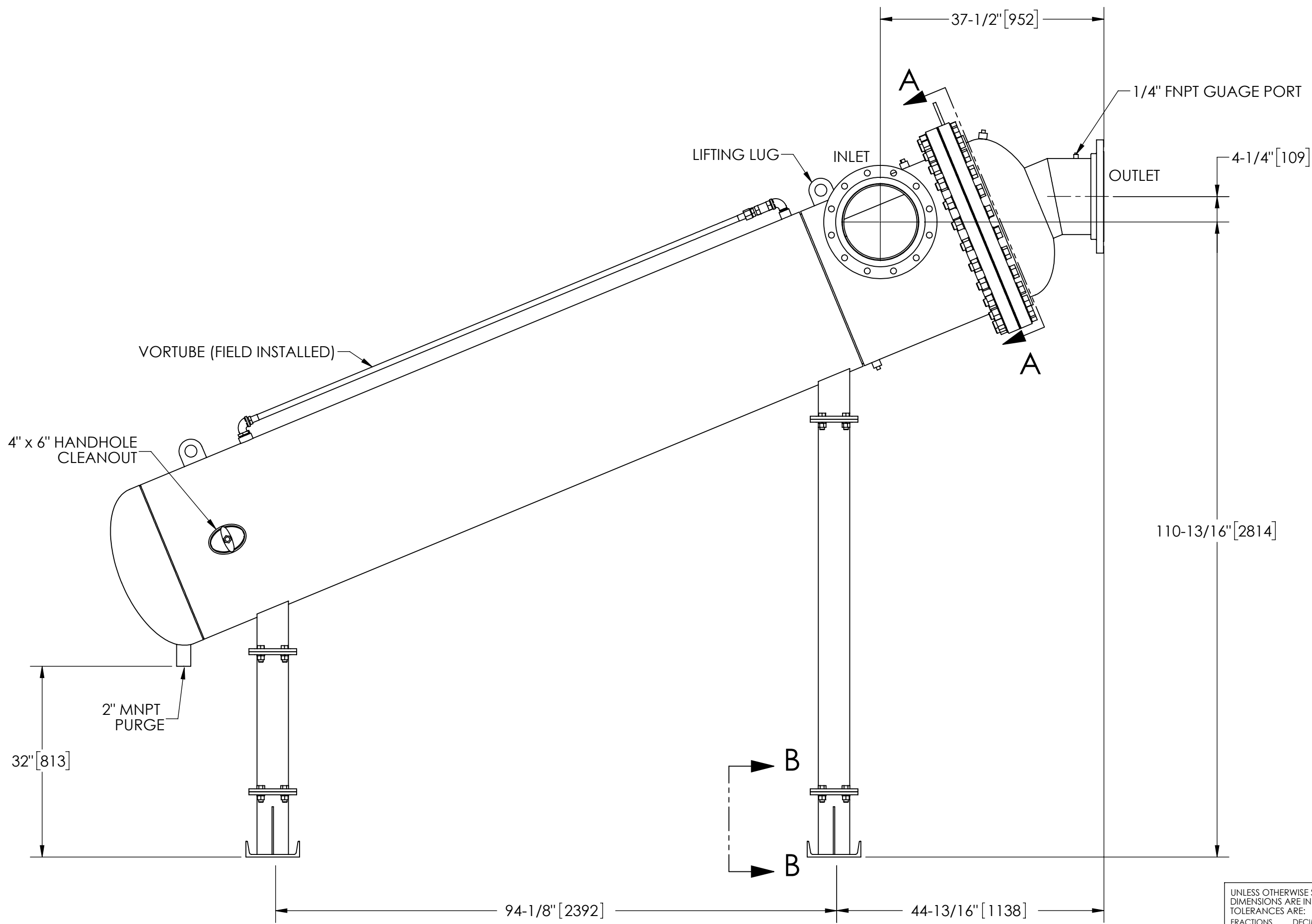
SECTION B-B



SECTION A-A



**FLANGED SPOOL**  
 MODEL FS-12 (AVAILABLE SEPARATELY)  
 REQUIRED FOR REMOVAL OF TOP ASSEMBLY



**SUBMITTAL DRAWING**

This drawing is submitted for spatial consideration only. Do not pre-plumb to these dimensions.

UNLESS OTHERWISE SPECIFIED: DIMENSIONS ARE IN: INCHES [mm] TOLERANCES ARE: FRACTIONS DECIMALS ANGLES $\pm 1/2"$ .XX $\pm .01$ $\pm 1/4"$ .XXX $\pm .005$ .XXXX $\pm .0005$		ENGINEERED FOR: <b>FLANGED</b>			
DO NOT SCALE DRAWING		APPROVALS	DATE	TITLE	
MATERIAL CLASS P-1 MILD CARBON STEEL		DRAWN SDF/LC	7/29/05	JPX-2650-L/FLG, SEPERATOR, 12" JPX LOW PROFILE FLG, CARBON STEEL	
FINISH LAKOS BLUE		ENGR DLW	4/4/06	SIZE C	MODEL NO.
		REVIEW -	-	DWG NO. 117425	REV. E
		WORK ORDER	QTY.	SCALE 1:16	EST. WT. 3810 lb SHEET 1 OF 1

4

3

2

1

DWG NO. 117425  
 SH 1  
 REV. E