

4

3

2

1

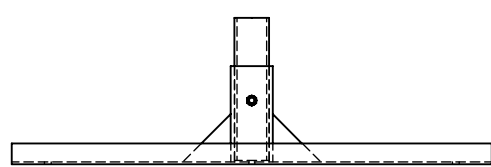
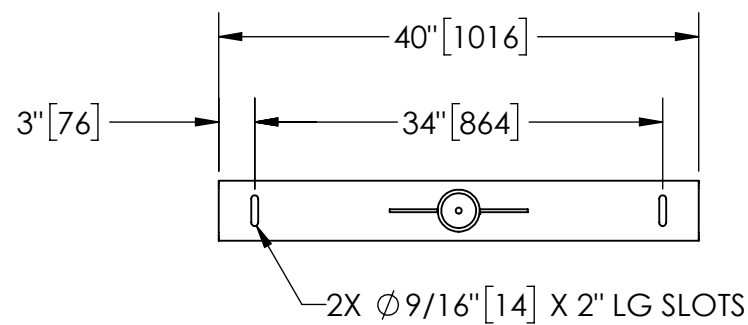
EXCEPT AS OTHERWISE PROVIDED BY CONTRACT, THIS DRAWING AND SPECIFICATIONS SHALL NOT BE REPRODUCED, COPIED OR USED AS THE BASIS FOR MANUFACTURE OR SALE OF MATTER DEPICTED HEREIN WITHOUT THE EXPRESSED WRITTEN PERMISSION OF THE LAKOS CORPORATION, OR ITS ASSIGNEES.

REVISION HISTORY				
ZONE	REV	DESCRIPTION	DATE	APPROVED
	E	UPDATED TO CURRENT STANDARDS	7/21/2022	YL

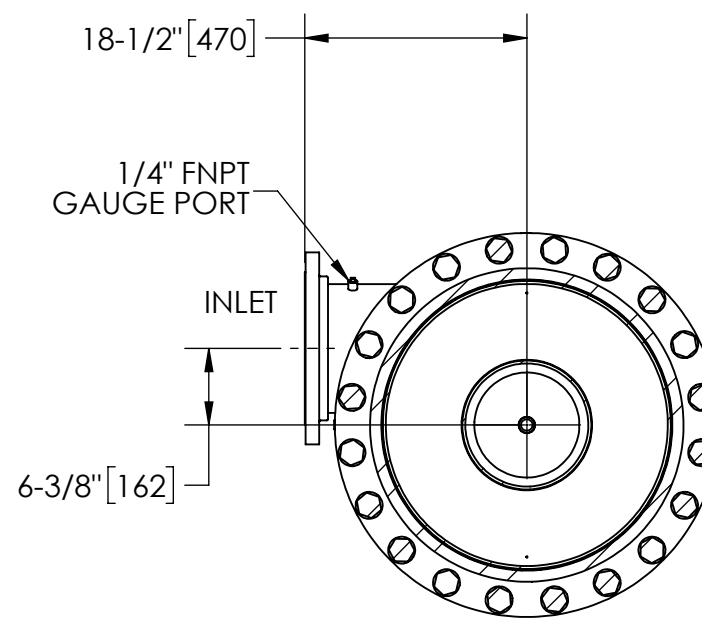
NOTES:

1. INLET & OUTLET FLANGES ARE 10" 150# RF PER ANSI B16.5 REQUIRING 12X Ø7/8" BOLTS (BOLTS AND GASKETS NOT INCLUDED).
2. MAXIMUM PRESSURE: 150 psi (10.3 bar).
3. MAXIMUM TEMPERATURE: 180°F (82.2°C).
4. PRESSURE LOSS: 3-12 psid (.2-.8 bar) AT RATED FLOW.
5. RATED FLOW: 1850-3400 gpm (420-775 m³/hr).
6. APPROXIMATE DRY WEIGHT: 2233 lbs (1004 kg).
7. FINISH: LAKOS BLUE (EXTERIOR ONLY).

THIS DRAWING HAS BEEN GENERATED AND IS MAINTAINED BY A CAD SYSTEM. CHANGES SHALL ONLY BE INCORPORATED AS DIRECTED BY AN APPROVED ENGINEERING CHANGE ORDER (ECO). PAPER COPIES ARE UNCONTROLLED.



SECTION B-B



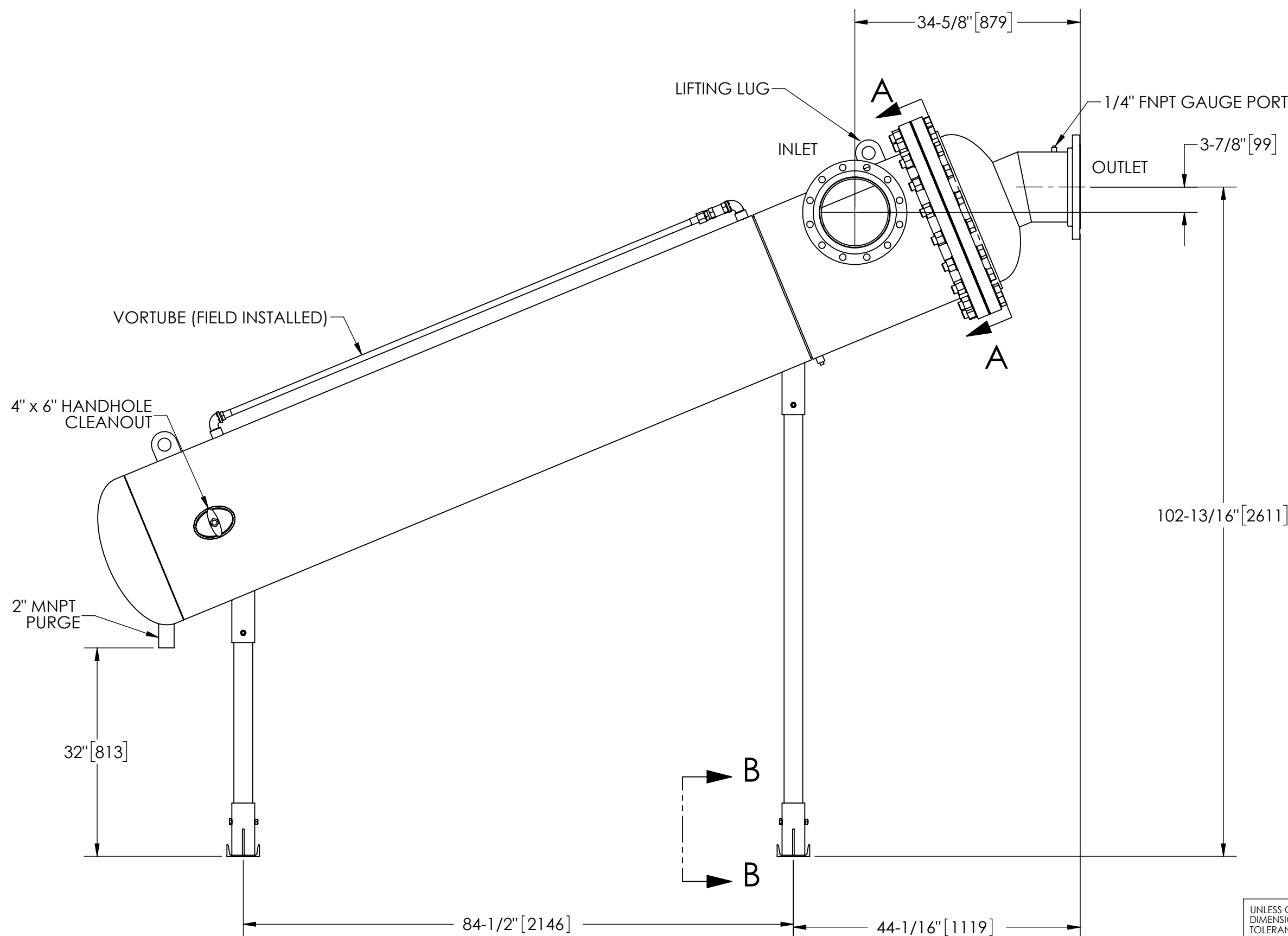
SECTION A-A

FLANGED SPOOL

MODEL FS-10 (AVAILABLE SEPARATELY)
REQUIRED FOR REMOVAL OF TOP ASSEMBLY

SUBMITTAL DRAWING

This drawing is submitted for spatial consideration only. Do not pre-plumb to these dimensions.



UNLESS OTHERWISE SPECIFIED:
DIMENSIONS ARE IN: INCHES (mm)
TOLERANCES ARE:

FRACTIONS	DECIMALS	ANGLES
± 1/2"	.XX ± .01	± 1/4°
	.XXX ± .005	
	.XXXX ± .0005	

DO NOT SCALE DRAWING

ENGINEERED FOR: FLANGED	
APPROVALS	DATE
DRAWN SDF/DLW	9/7/05
ENGR DLW	4/4/06
REVIEW	-
WORK ORDER	QTY.

		FRESNO, CALIFORNIA WWW.LAKOS.COM	
TITLE JPX-1850-L/FLG, SEPARATOR, 10" JPX LOW PROFILE W/FLG, CARBON STEEL			
SIZE C	MODEL NO.	DWG NO. 117593	REV. E
SCALE 1:16	EST. WT. 2233 lb	SHEET 1 OF 1	

4

3

2

1

DWG NO. 117593
SHEET 1
REV. E