

EXCEPT AS OTHERWISE PROVIDED BY CONTRACT, THIS DRAWING AND SPECIFICATIONS SHALL NOT BE REPRODUCED, COPIED OR USED AS THE BASIS FOR MANUFACTURE OR SALE OF MATTER DEPICTED HEREIN WITHOUT THE EXPRESSED WRITTEN PERMISSION OF THE LAKOS CORPORATION, OR ITS ASSIGNEES.

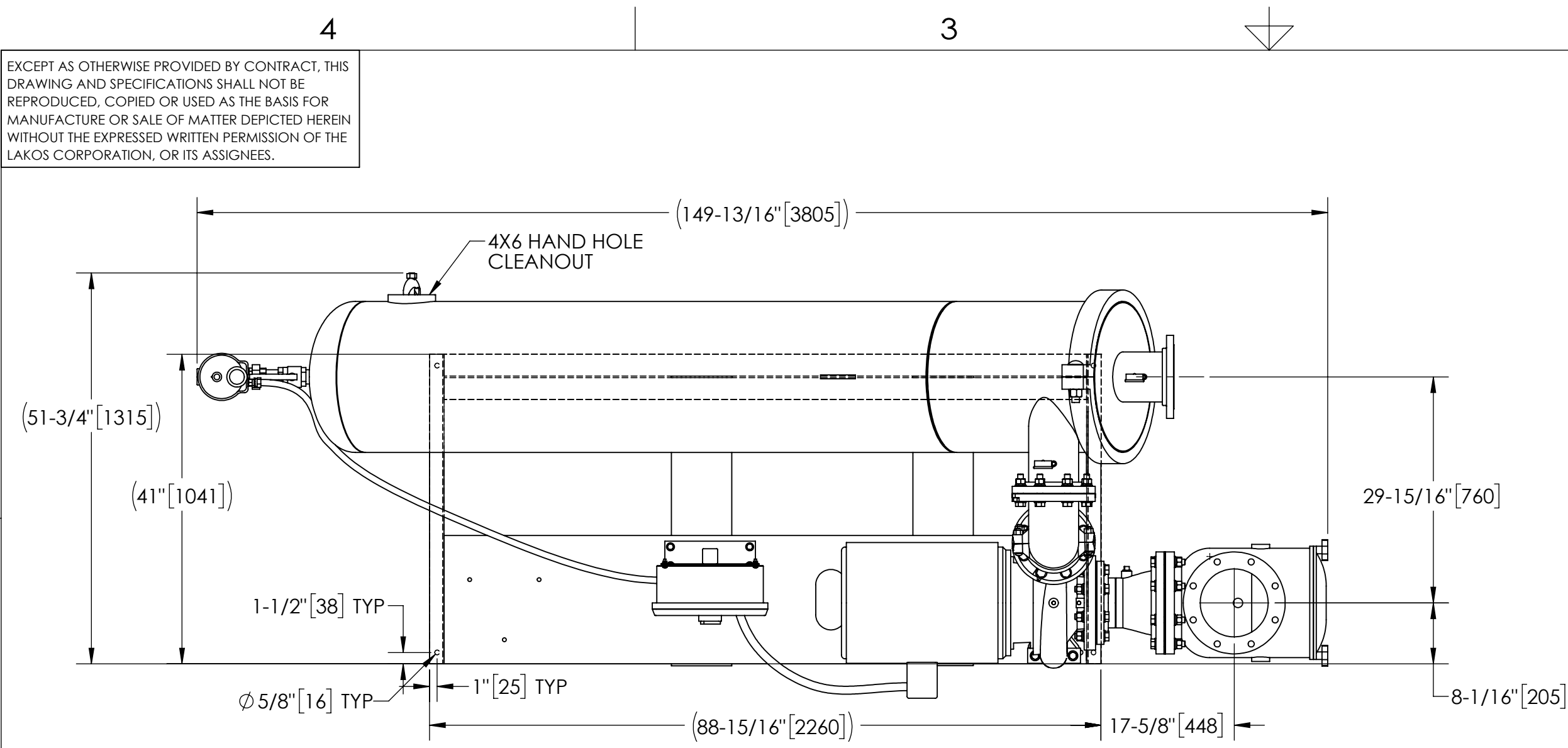
REVISION HISTORY				
ZONE	REV	DESCRIPTION	DATE	APPROVED
	01	RELEASED FOR SUBMITTAL	2/26/21	TPF

NOTES:

1. INLET IS 8" FLANGED (125# ANSI FLANGED).
2. OUTLET IS 6" PIPE (150# ANSI FLANGED).
3. PURGE OUTLET IS 1-1/2" PIPE.
4. MAXIMUM PRESSURE: 150 psi (10.3 bar).
5. MAXIMUM FLUID OPERATING TEMPERATURE: 100°F (37.8°C).
6. SPECIFIED FLOW RATE: 1110 gpm (252 m³/hr).
7. FINISH: AS ASSEMBLED.
8. POWER REQUIREMENT: 3/60/460V.
9. NEMA 4X MOTOR STARTER ENCLOSURE WITH SAFETY DISCONNECT AND H.O.A. SWITCH.
10. APPROXIMATE DRY WEIGHT: 3091 lbs (1404 kgs).
11. INLET/OUTLET VALVE KIT RECOMMENDED: SEE FACTORY.
12. MINIMUM PIPE FROM TOWER BASIN TO JC SYSTEM IS 8" PIPE.
13. FLOODED SUCTION REQUIRED.

COMPONENT LIST:

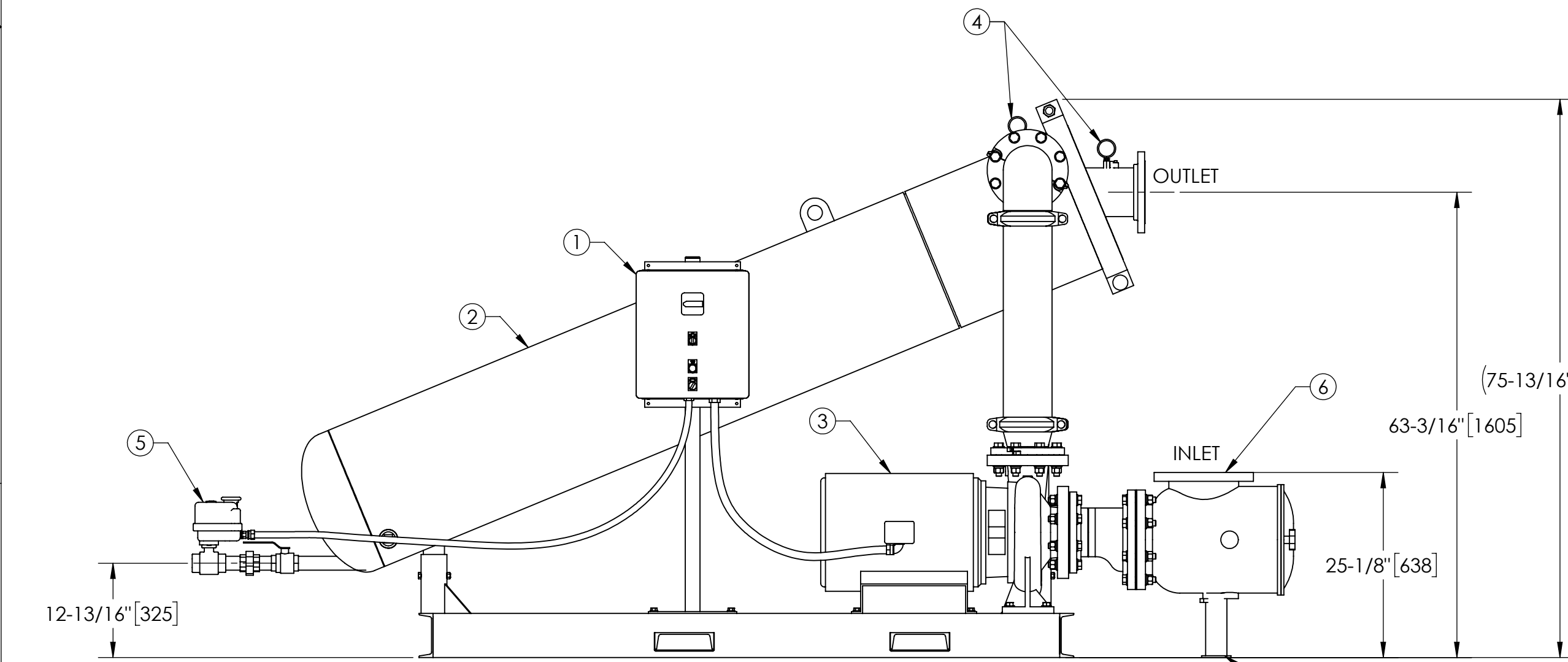
- ① ELECTRICAL CONTROL BOX 3/60/460V W/120V TRANSFORMER.
- ② SEPARATOR: eJPX-0560-L.
- ③ PUMP: 30 HP CENTRIFUGAL, 1750 rpm, 3/60/460V.
- ④ INLET/OUTLET PRESSURE GAUGES: 0-160 psi, GLYCERIN-FILLED.
- ⑤ PURGE EQUIPMENT: EFS-15-120V.
- ⑥ STRAINER, SUCTION DIFFUSER. (DIFFUSER SUPPORT WILL NOT BE SUPPLIED BY LAKOS)



TOP VIEW

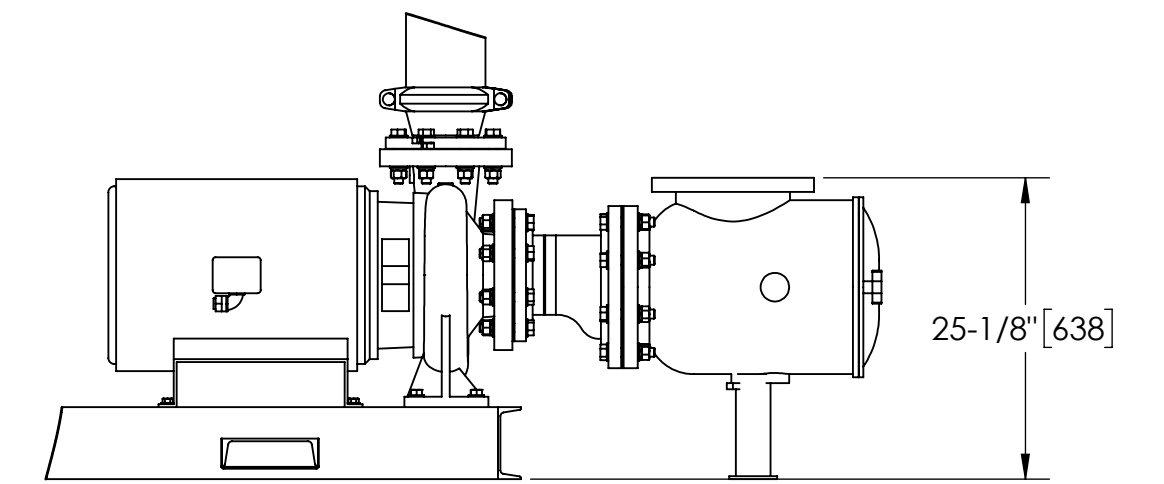
SUBMITTAL DRAWING

This drawing is submitted for spatial consideration only. Do not pre-plumb to these dimensions.



FRONT VIEW

FRONT VIEW ROTATED STRAINER (OPTIONAL)



FRONT VIEW PUMP & STRAINER

DIFFUSER SUPPORT WILL NOT BE SUPPLIED BY LAKOS

THIS DRAWING HAS BEEN GENERATED AND IS MAINTAINED BY A CAD SYSTEM. CHANGES SHALL ONLY BE INCORPORATED AS DIRECTED BY AN APPROVED ENGINEERING CHANGE ORDER (ECO). PAPER COPIES ARE UNCONTROLLED.

UNLESS OTHERWISE SPECIFIED: DIMENSIONS ARE IN: INCHES (mm) TOLERANCES ARE:

FRACTIONS	DECIMALS	ANGLES
± 1"	.XX ± .01	± 1/4°
	.XXX ± .005	
	.XXXX ± .0005	

DO NOT SCALE DRAWING

MATERIAL	PER LAKOS SPEC
FINISH	AS ASSEMBLED

ENGINEERED FOR:	STANDARD
APPROVALS	DATE
DRAWN TPF	2/26/21
ENGR -	-
REVIEW -	-
WORK ORDER	QTY.

		FRESNO, CALIFORNIA WWW.LAKOS.COM	
TITLE			
eJXC-1110-EFS, JC SYSTEM			
HI EFF SWEEPER eJPX-0560, 3/60/460V			
SIZE	MODEL NO.	DWG NO.	REV.
C		185151	01
SCALE	EST. WT.	SHEET	1 OF 1
1:16	3091 lb		

DWG NO.

185151

SHT

1

REV.

01