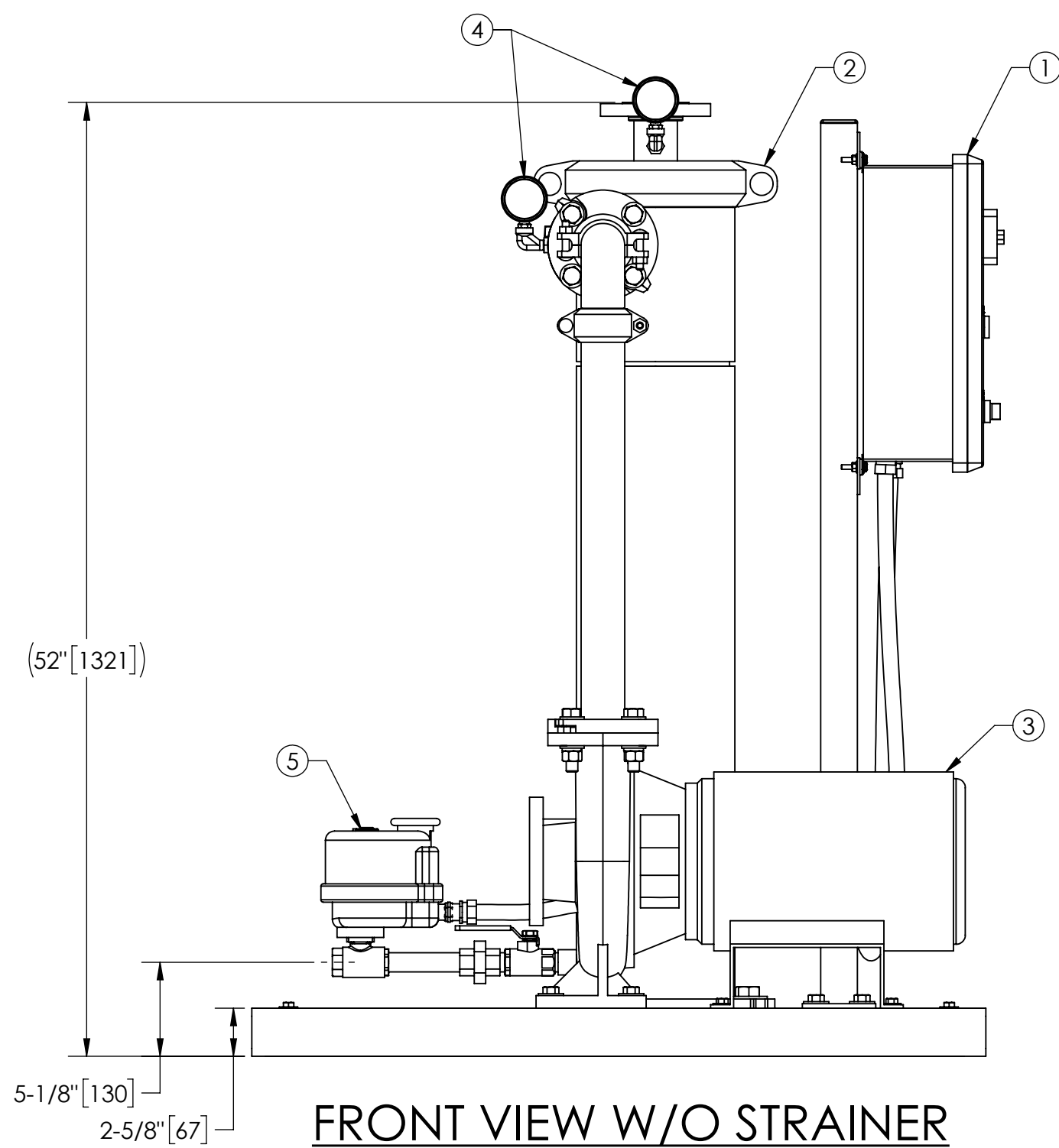
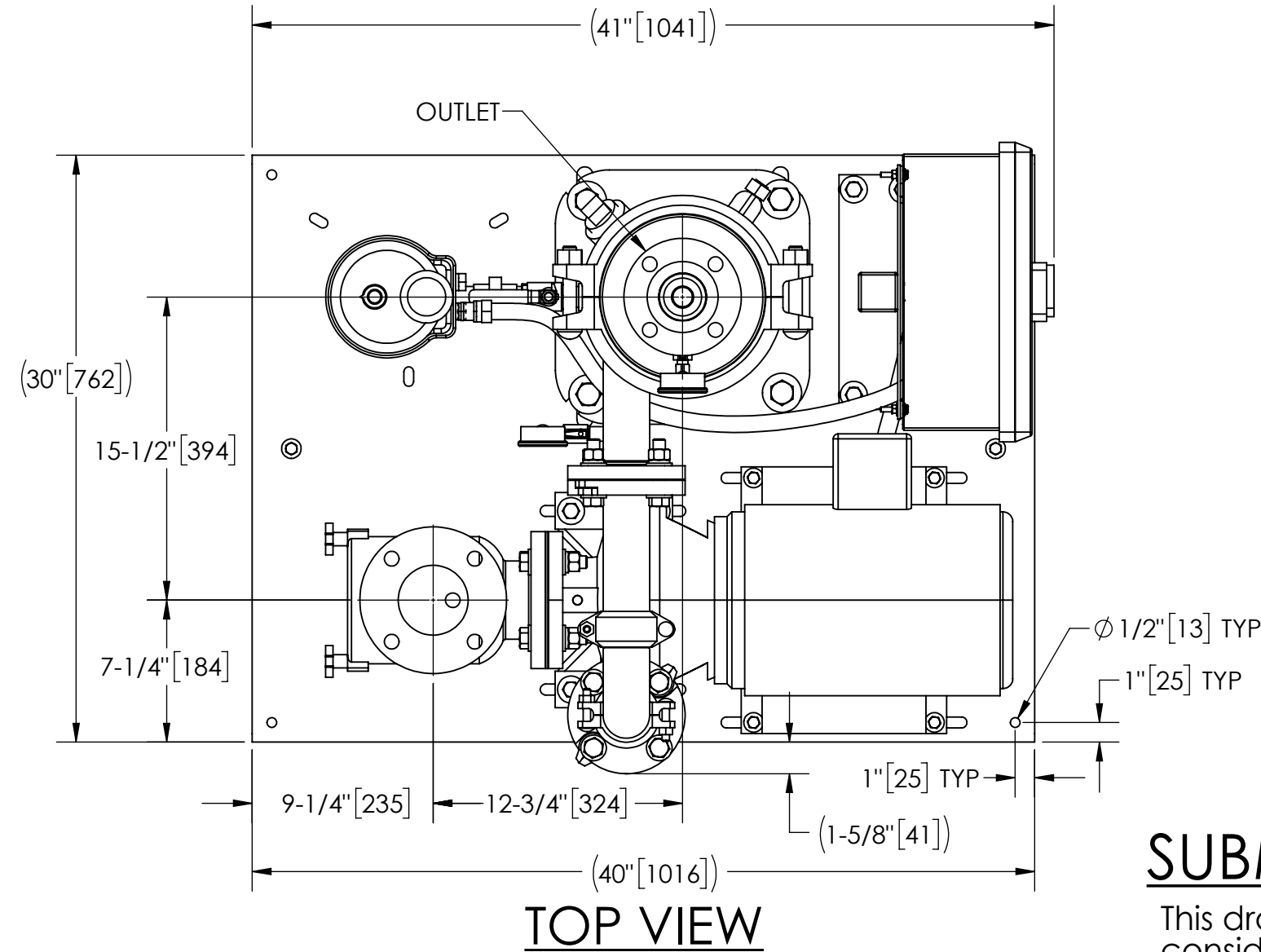


EXCEPT AS OTHERWISE PROVIDED BY CONTRACT, THIS DRAWING AND SPECIFICATIONS SHALL NOT BE REPRODUCED, COPIED OR USED AS THE BASIS FOR MANUFACTURE OR SALE OF MATTER DEPICTED HEREIN WITHOUT THE EXPRESSED WRITTEN PERMISSION OF THE LAKOS CORPORATION, OR ITS ASSIGNEES.

THIS DRAWING HAS BEEN GENERATED AND IS MAINTAINED BY A CAD SYSTEM. CHANGES SHALL ONLY BE INCORPORATED AS DIRECTED BY AN APPROVED ENGINEERING CHANGE ORDER (ECO). PAPER COPIES ARE UNCONTROLLED.

REVISIONS				
ECN	REV.	DESCRIPTION	DATE	APPROVED
	01	RELEASED FOR SUBMITTAL	2/23/21	TPF



SUBMITTAL DRAWING

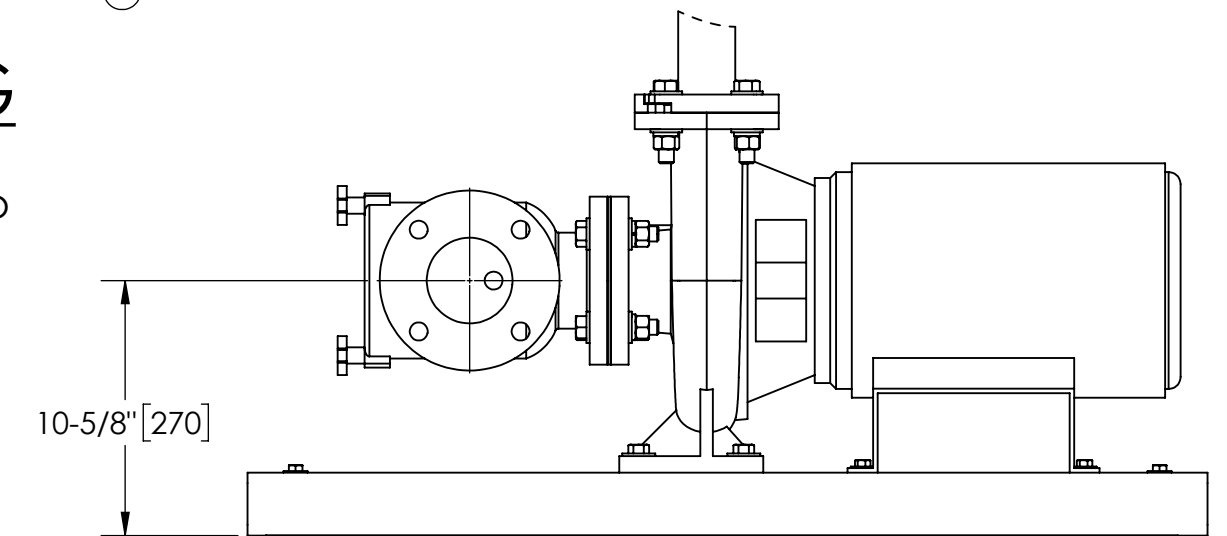
This drawing is submitted for spatial consideration only. Do not pre-plumb to these dimensions.

NOTES:

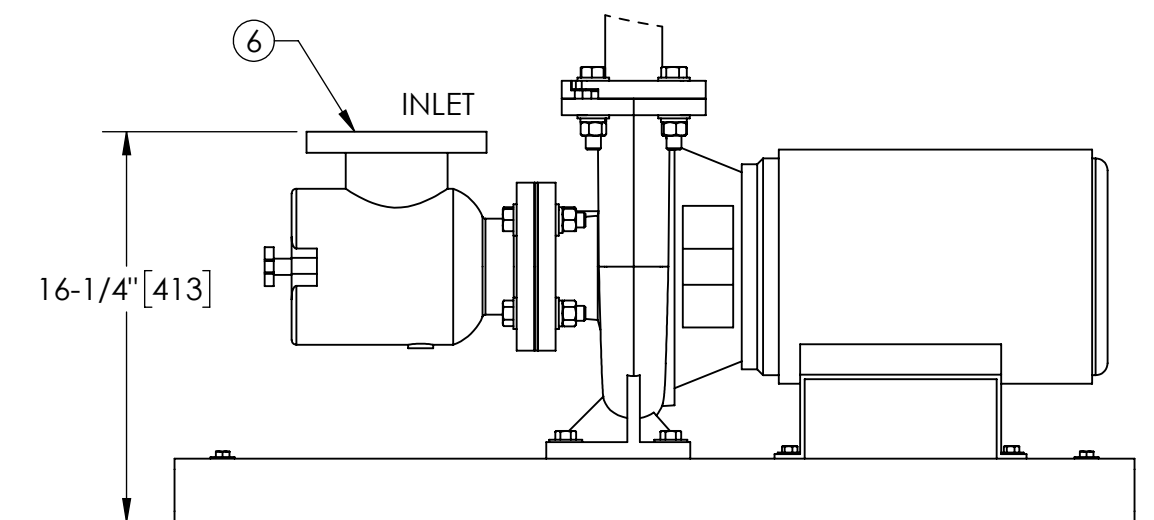
1. INLET IS 3" PIPE (125# ANSI FLANGED).
2. OUTLET IS 2" PIPE (150# ANSI FLANGED).
3. PURGE OUTLET IS 3/4" PIPE.
4. MAXIMUM PRESSURE: 150 psi (10.3 bar).
5. MAXIMUM FLUID TEMPERATURE: 100°F (37.8°C).
6. SPECIFIED FLOWRATES:
BASIN SWEEPING - 110 gpm (25 m³/hr)
SIDE STREAM & CLOSED LOOP - 140 gpm (32 m³/hr).
7. FINISH: AS ASSEMBLED.
8. POWER REQUIREMENT: 3/60/460V.
9. NEMA 4X MOTOR STARTER ENCLOSURE WITH SAFETY DISCONNECT AND H.O.A. SWITCH.
10. APPROXIMATE DRY WEIGHT: 692 lbs (314 kg).
11. INLET/OUTLET VALVE KIT RECOMMENDED: SEE FACTORY.
12. MINIMUM PIPE FROM TOWER BASIN TO JC SYSTEM IS 3" PIPE.
13. FLOODED SUCTION REQUIRED.

COMPONENT LIST:

- 1 ELECTRICAL CONTROL BOX 3/60/460V, 60Hz W/120V TRANSFORMER.
- 2 SEPARATOR: eJPX-0080-V.
- 3 PUMP: 3 HP CENTRIFUGAL, 1800 rpm, 3/60/460V.
- 4 INLET/OUTLET PRESSURE GAUGES: 0-160 psi, GLYCERIN-FILLED.
- 5 PURGE EQUIPMENT: EFS-07-120V.
- 6 STRAINER, SUCTION DIFFUSER.



FRONT VIEW WITH ROTATED STRAINER (OPTIONAL)



FRONT VIEW WITH STRAINER

UNLESS OTHERWISE SPECIFIED: DIMENSIONS ARE IN: INCHES (mm) TOLERANCES ARE: FRACTIONS DECIMALS ANGLES ± 1" .XX ± .01 ± 1/4" .XXX ± .005 .XXXX ± .0005	ENGINEERED FOR:		FRESNO, CALIFORNIA WWW.LAKOS.COM	
	STANDARD			
	APPROVALS	DATE	TITLE eJXC-0110-EFS, JC SYSTEM HI EFF SWEEPER eJPX-0080, 3/60/460V	
	DRAWN TPF	2/16/21		
MATERIAL PER LAKOS SPEC.	ENGR -	REVIEW -	DATE -	SIZE MODEL NO. DWG NO. 185144 REV. 01 SCALE 1:8 EST. WT. 692 lb SHEET 1 OF 1
FINISH AS ASSEMBLED	WORK ORDER	QTY.		

DWG NO.

185144

SHT

1

REV.

01

A