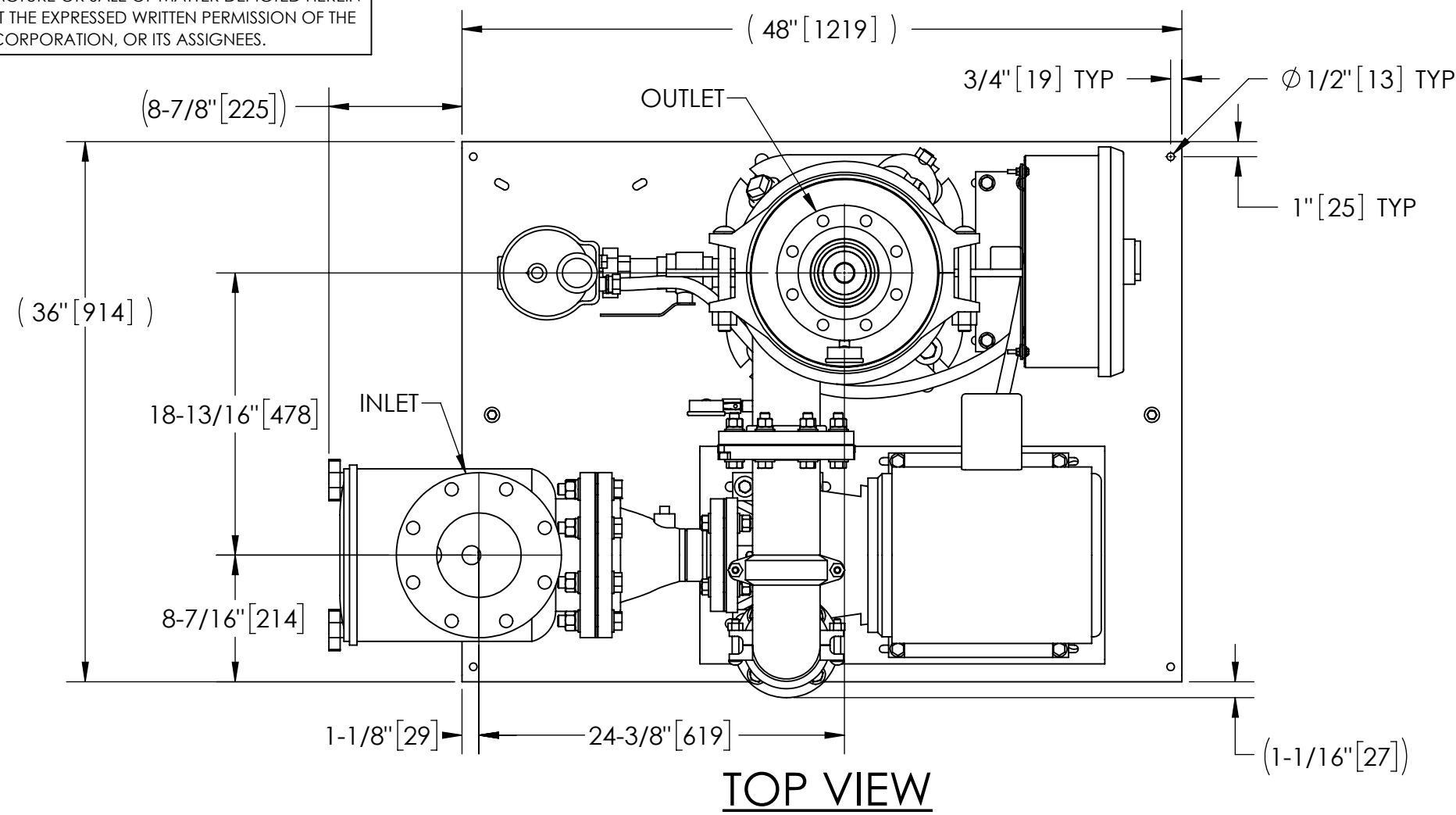


EXCEPT AS OTHERWISE PROVIDED BY CONTRACT, THIS DRAWING AND SPECIFICATIONS SHALL NOT BE REPRODUCED, COPIED OR USED AS THE BASIS FOR MANUFACTURE OR SALE OF MATTER DEPICTED HEREIN WITHOUT THE EXPRESSED WRITTEN PERMISSION OF THE LAKOS CORPORATION, OR ITS ASSIGNEES.

REVISION HISTORY				
ZONE	REV	DESCRIPTION	DATE	APPROVED
	01	RELEASED FOR SUBMITTAL	2/25/21	TPF



**NOTES:**

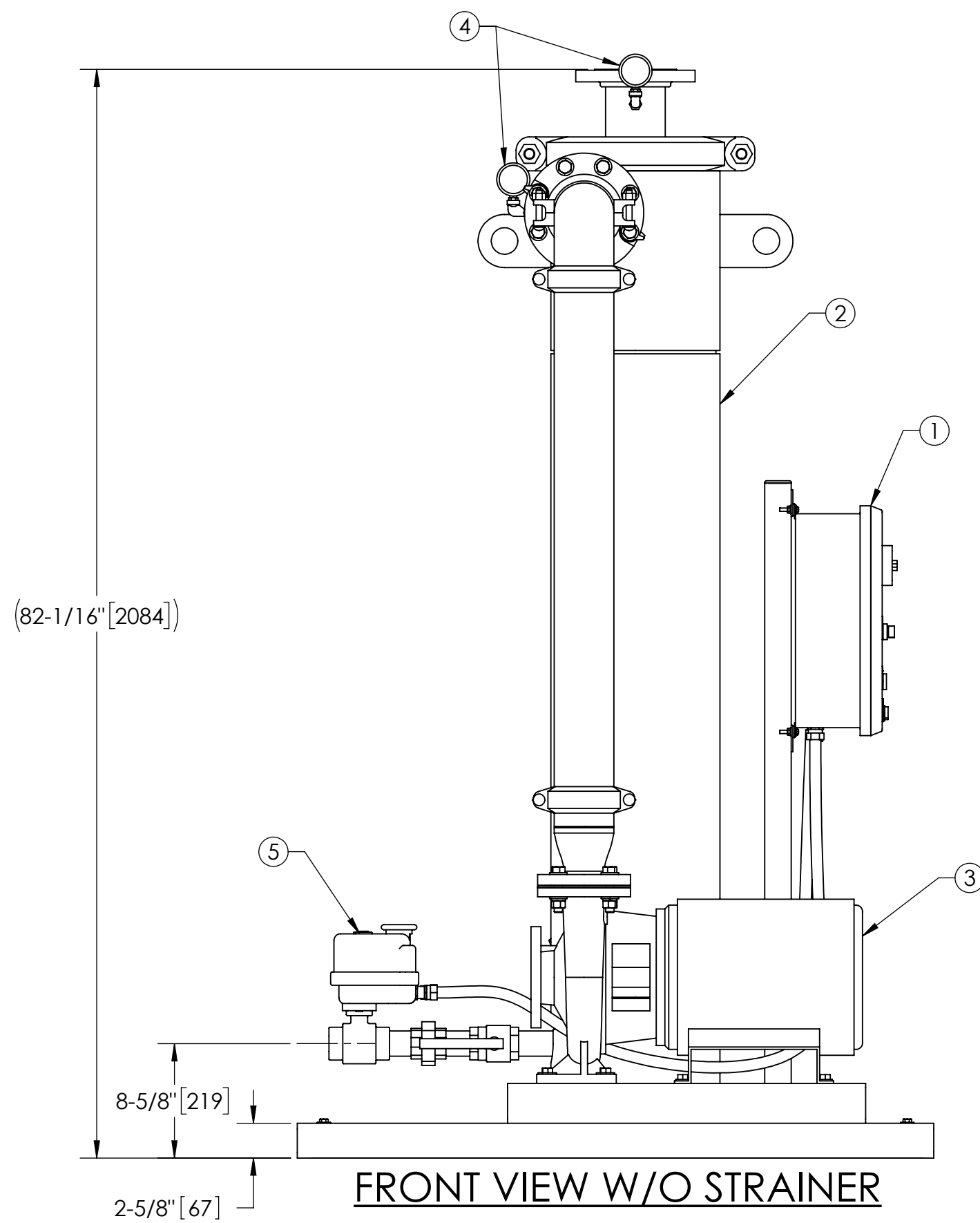
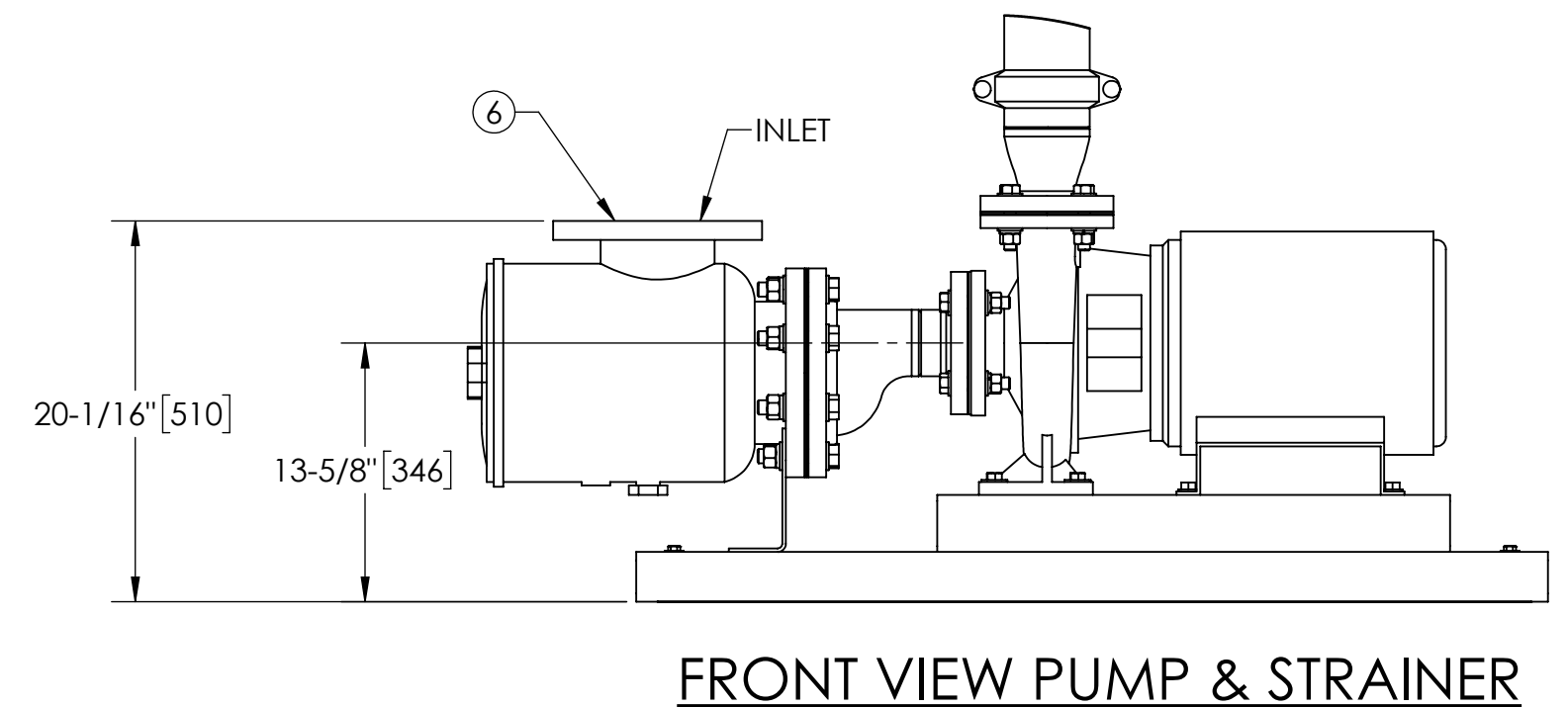
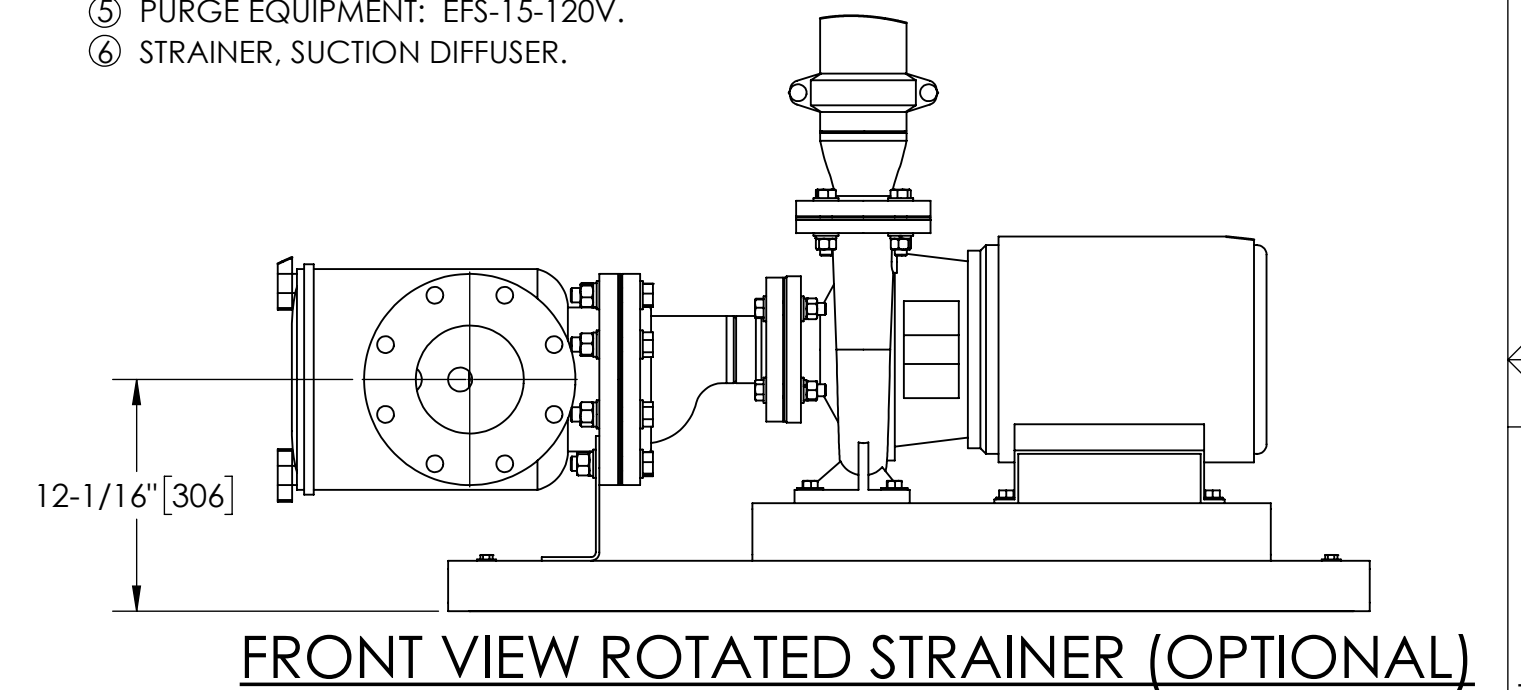
- INLET IS 6" FLANGED (125# ANSI FLANGED).
- OUTLET IS 4" PIPE (150# ANSI FLANGED).
- PURGE OUTLET IS 1-1/2" PIPE.
- MAXIMUM PRESSURE: 150 psi bar (10.3 bar).
- MAXIMUM FLUID OPERATING TEMPERATURE: 100°F (37.8°F).
- SPECIFIED FLOW RATES:  
BASIN SWEEPING- 310 gpm (70 m³/hr).  
SIDE STREAM & CLOSED LOOP- 350 gpm (80 m³/hr)
- FINISH: AS ASSEMBLED.
- POWER REQUIREMENT: 3/60/460V.
- NEMA 4X MOTOR STARTER ENCLOSURE WITH SAFETY DISCONNECT AND H.O.A. SWITCH.
- APPROXIMATE DRY WEIGHT: 1323 lb (600 kg).
- INLET/OUTLET VALVE KIT RECOMMENDED: SEE FACTORY.
- MINIMUM PIPE FROM TOWER BASIN TO JC SYSTEM IS 6" PIPE.
- FLOODED SUCTION REQUIRED.

**COMPONENT LIST:**

- ELECTRICAL CONTROL BOX 3/60/460V/120V TRANSFORMER.
- SEPARATOR: eJPX-0195-V.
- PUMP: 7.5 HP CENTRIFUGAL, 1800 rpm, 3/60/460V.
- INLET/OUTLET PRESSURE GAUGES: 0-160 psi, GLYCERIN-FILLED.
- PURGE EQUIPMENT: EFS-15-120V.
- STRAINER, SUCTION DIFFUSER.

**SUBMITTAL DRAWING**

This drawing is submitted for spatial consideration only. Do not pre-plumb to these dimensions.



THIS DRAWING HAS BEEN GENERATED AND IS MAINTAINED BY A CAD SYSTEM. CHANGES SHALL ONLY BE INCORPORATED AS DIRECTED BY AN APPROVED ENGINEERING CHANGE ORDER (ECO). PAPER COPIES ARE UNCONTROLLED.

UNLESS OTHERWISE SPECIFIED: DIMENSIONS ARE IN: INCHES (mm) TOLERANCES ARE: FRACTIONS .XX ± .01 ANGLES ± 1/4° ± 1" .XXX ± .005 .XXX ± .0005		ENGINEERED FOR: <b>STANDARD</b>			
DO NOT SCALE DRAWING	APPROVALS	DATE	TITLE		
MATERIAL PER LAKOS SPEC	DRAWN TPF	2/24/21	eJCX-0310-EFS, JC SYSTEM		
FINISH AS ASSEMBLED	ENGR -	-	HI EFF SWEEPER eJPX-0195, 3/60/460V		
	REVIEW -	-	SIZE C	MODEL NO.	DWG NO. 185147
	WORK ORDER	QTY.	SCALE 1:10	EST. WT. 1323 lb	SHEET 1 OF 1

DWG. NO. 185147 SHEET 1 REV. 01