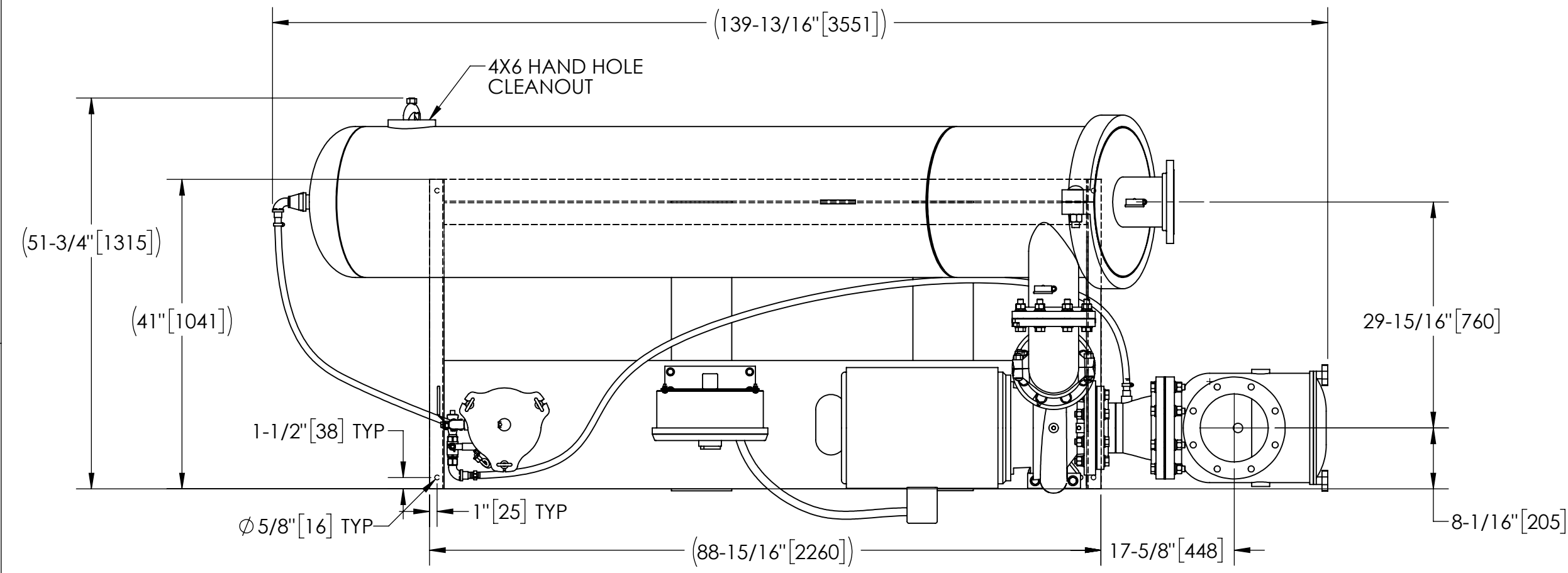


EXCEPT AS OTHERWISE PROVIDED BY CONTRACT, THIS DRAWING AND SPECIFICATIONS SHALL NOT BE REPRODUCED, COPIED OR USED AS THE BASIS FOR MANUFACTURE OR SALE OF MATTER DEPICTED HEREIN WITHOUT THE EXPRESSED WRITTEN PERMISSION OF THE LAKOS CORPORATION, OR ITS ASSIGNEES.

REVISION HISTORY				
ZONE	REV	DESCRIPTION	DATE	APPROVED
	01	RELEASED FOR SUBMITTAL	4/16/21	TPF



**TOP VIEW**

**NOTES:**

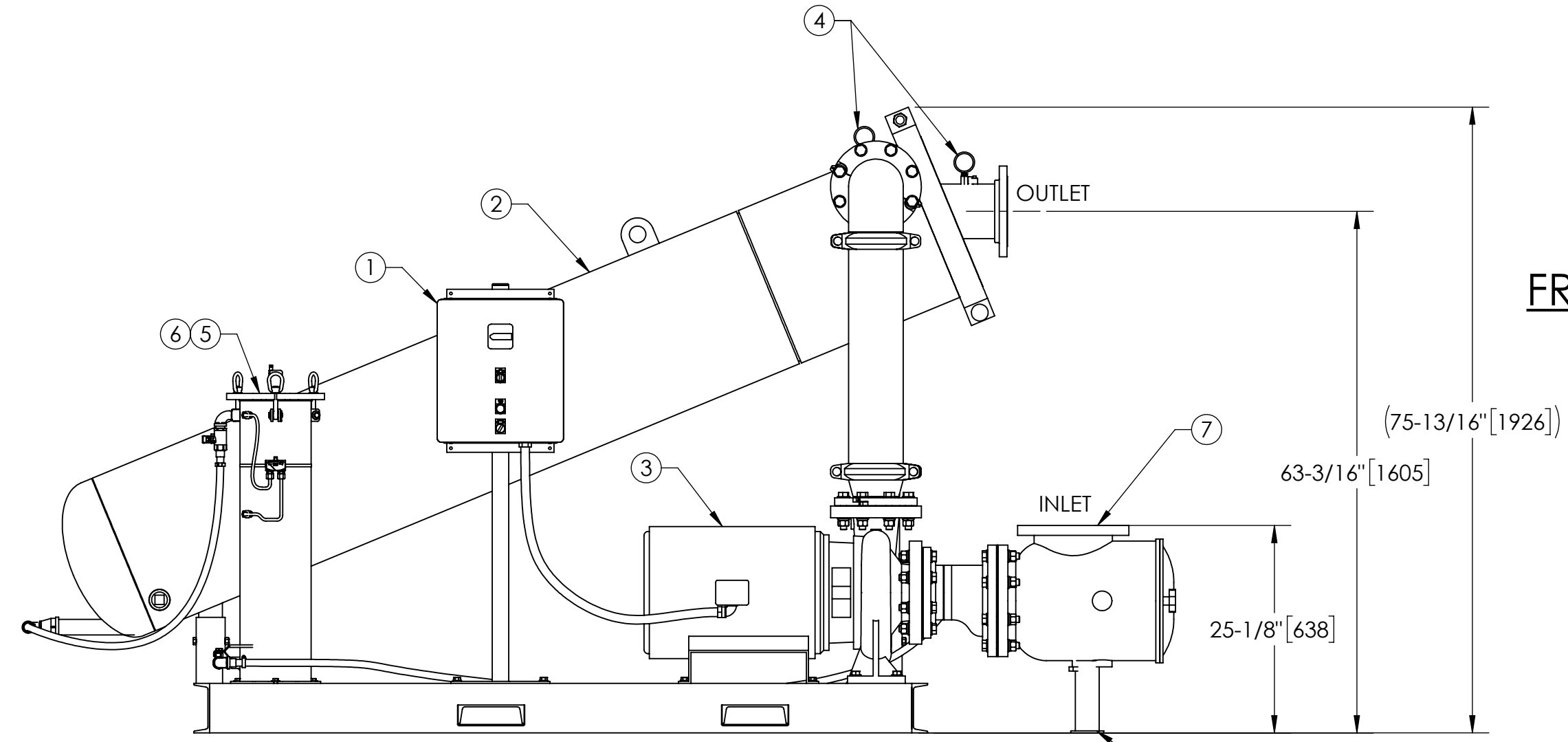
1. INLET IS 8" FLANGED (125# ANSI FLANGED).
2. OUTLET IS 6" PIPE (150# ANSI FLANGED).
3. PURGE OUTLET IS 1-1/2" PIPE.
4. MAXIMUM PRESSURE: 150 psi (10.3 bar).
5. MAXIMUM FLUID OPERATING TEMPERATURE: 100°F (37.8°C).
6. SPECIFIED FLOW RATE: 1110 gpm (252 m³/hr).
7. FINISH: AS ASSEMBLED.
8. POWER REQUIREMENT: 3/60/460V.
9. NEMA 4X MOTOR STARTER ENCLOSURE WITH SAFETY DISCONNECT AND H.O.A. SWITCH.
10. APPROXIMATE DRY WEIGHT: 3149 lbs (1428 kgs).
11. INLET/OUTLET VALVE KIT RECOMMENDED: SEE FACTORY.
12. MINIMUM PIPE FROM TOWER BASIN TO JC SYSTEM IS 8" PIPE.
13. FLOODED SUCTION REQUIRED.

**COMPONENT LIST:**

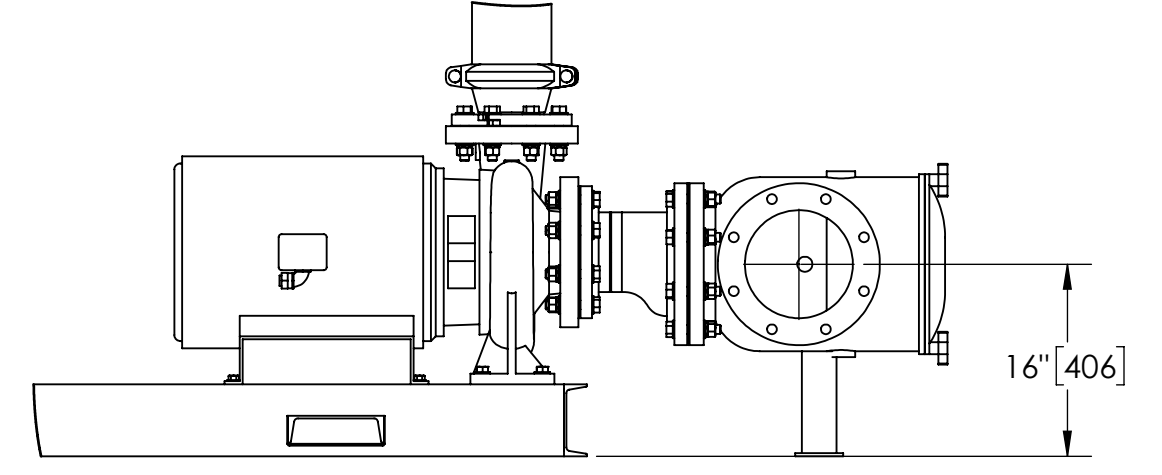
- ① ELECTRICAL CONTROL BOX 3/60/460V W/120V TRANSFORMER.
- ② SEPARATOR: eJPX-0560-L.
- ③ PUMP: 30 HP CENTRIFUGAL, 1750 rpm, 3/60/460V.
- ④ INLET/OUTLET PRESSURE GAUGES: 0-160 psi, GLYCERIN-FILLED.
- ⑤ PURGE EQUIPMENT: SRV-833.
- ⑥ DIFFERENTIAL PRESSURE INDICATOR: (AVAILABLE WITH DRY ELECTRICAL CONTACT - MODEL DHE-15-S. ORDER SEPARATELY).
- ⑦ STRAINER, SUCTION DIFFUSER (STRAINER SUPPORT WILL NOT BE SUPPLIED BY LAKOS).

**SUBMITTAL DRAWING**

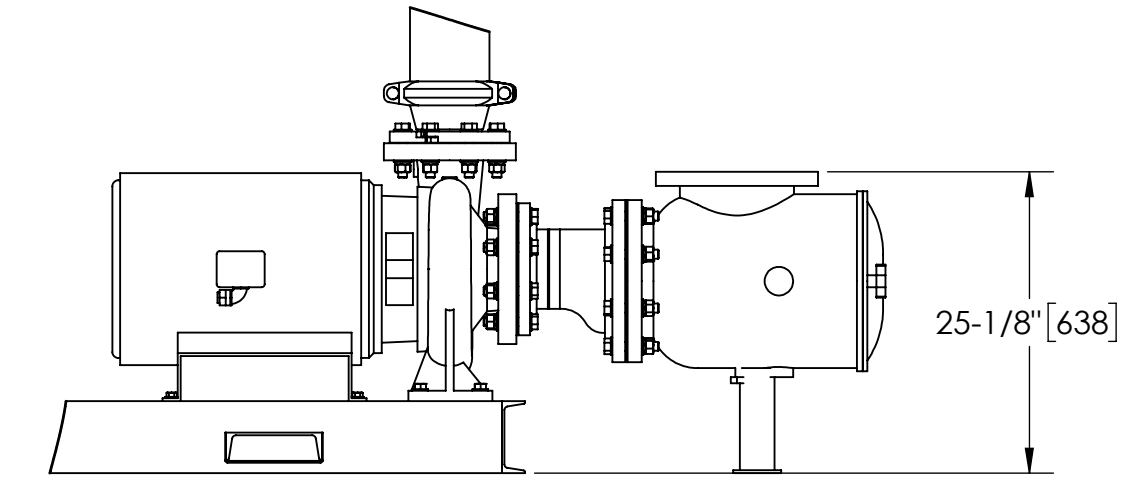
This drawing is submitted for spatial consideration only. Do not pre-plumb to these dimensions.



**FRONT VIEW**



**FRONT VIEW ROTATED STRAINER (OPTIONAL)**



**FRONT VIEW PUMP & STRAINER**

THIS DRAWING HAS BEEN GENERATED AND IS MAINTAINED BY A CAD SYSTEM. CHANGES SHALL ONLY BE INCORPORATED AS DIRECTED BY AN APPROVED ENGINEERING CHANGE ORDER (ECO). PAPER COPIES ARE UNCONTROLLED.

UNLESS OTHERWISE SPECIFIED: DIMENSIONS ARE IN: INCHES (mm) TOLERANCES ARE:		ENGINEERED FOR: STANDARD			
FRACTIONS ± 1"	DECIMALS .XX ± .01 .XXX ± .005 .XXXX ± .0005	ANGLES ± 1/4°	APPROVALS	DATE	TITLE
DO NOT SCALE DRAWING			DRAWN TPF	4/16/21	eJCX-1110-SRV, JC SYSTEM HI EFF SWEEPER eJPX-0560, 3/60/460V
MATERIAL PER LAKOS SPEC	ENGR -	REVIEW -	WORK ORDER	QTY.	SIZE C
FINISH AS ASSEMBLED					MODEL NO.
				DWG NO. 185244	
				REV. 01	
				SCALE 1:16	
				EST. WT. 3149 lb	
				SHEET 1 OF 1	

DWG NO. 185244 SHEET 1 REV. 01