

EXCEPT AS OTHERWISE PROVIDED BY CONTRACT, THIS DRAWING AND SPECIFICATIONS SHALL NOT BE REPRODUCED, COPIED OR USED AS THE BASIS FOR MANUFACTURE OR SALE OF MATTER DEPICTED HEREIN WITHOUT THE EXPRESSED WRITTEN PERMISSION OF THE CLAUDE LAVAL CORPORATION, OR ITS ASSIGNEES.

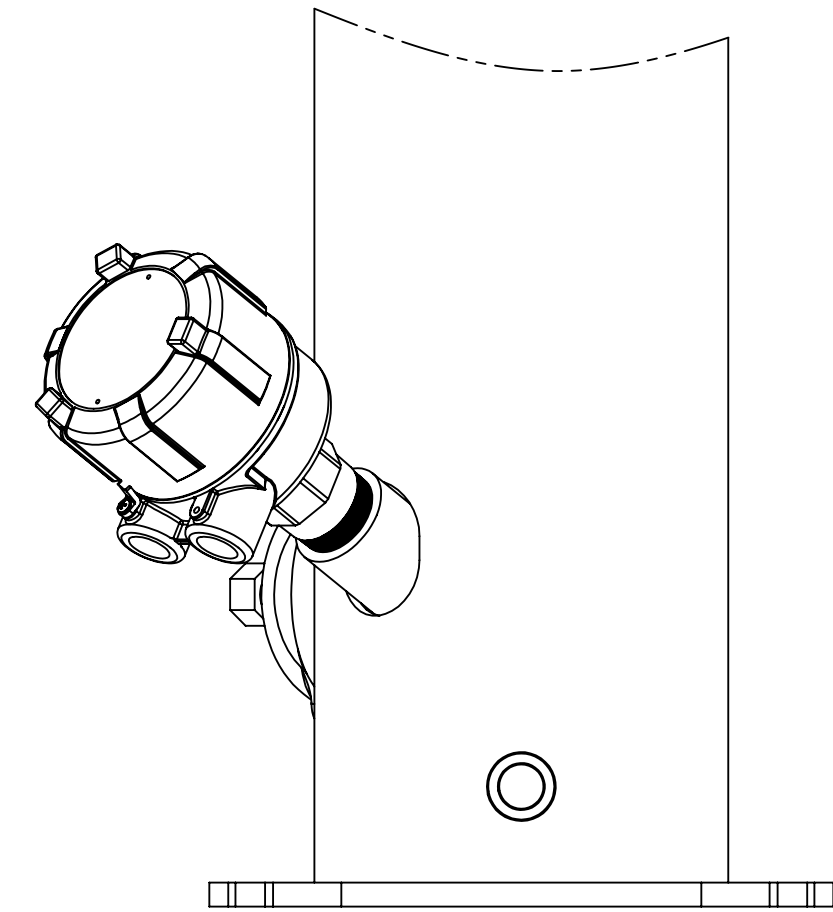
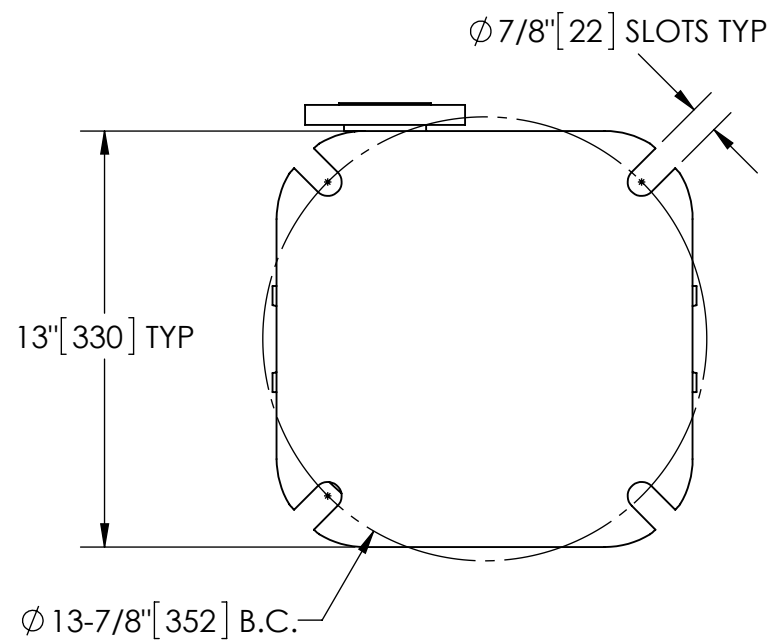
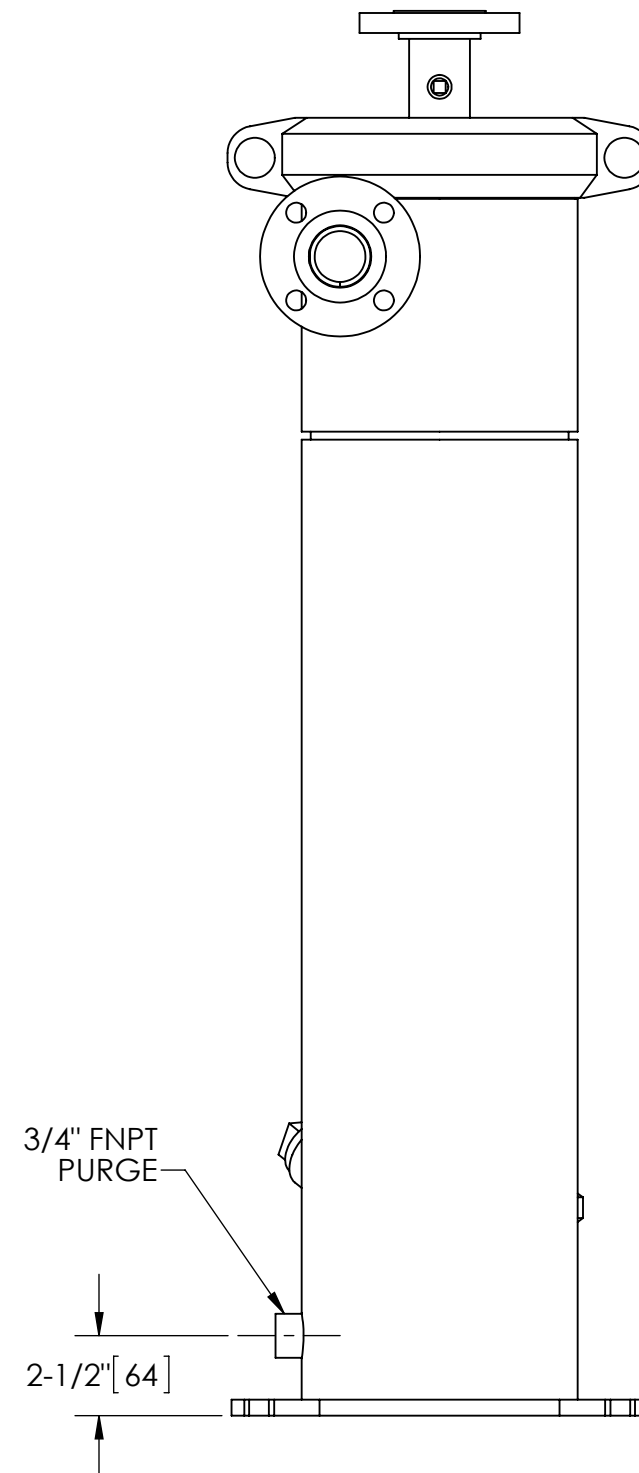
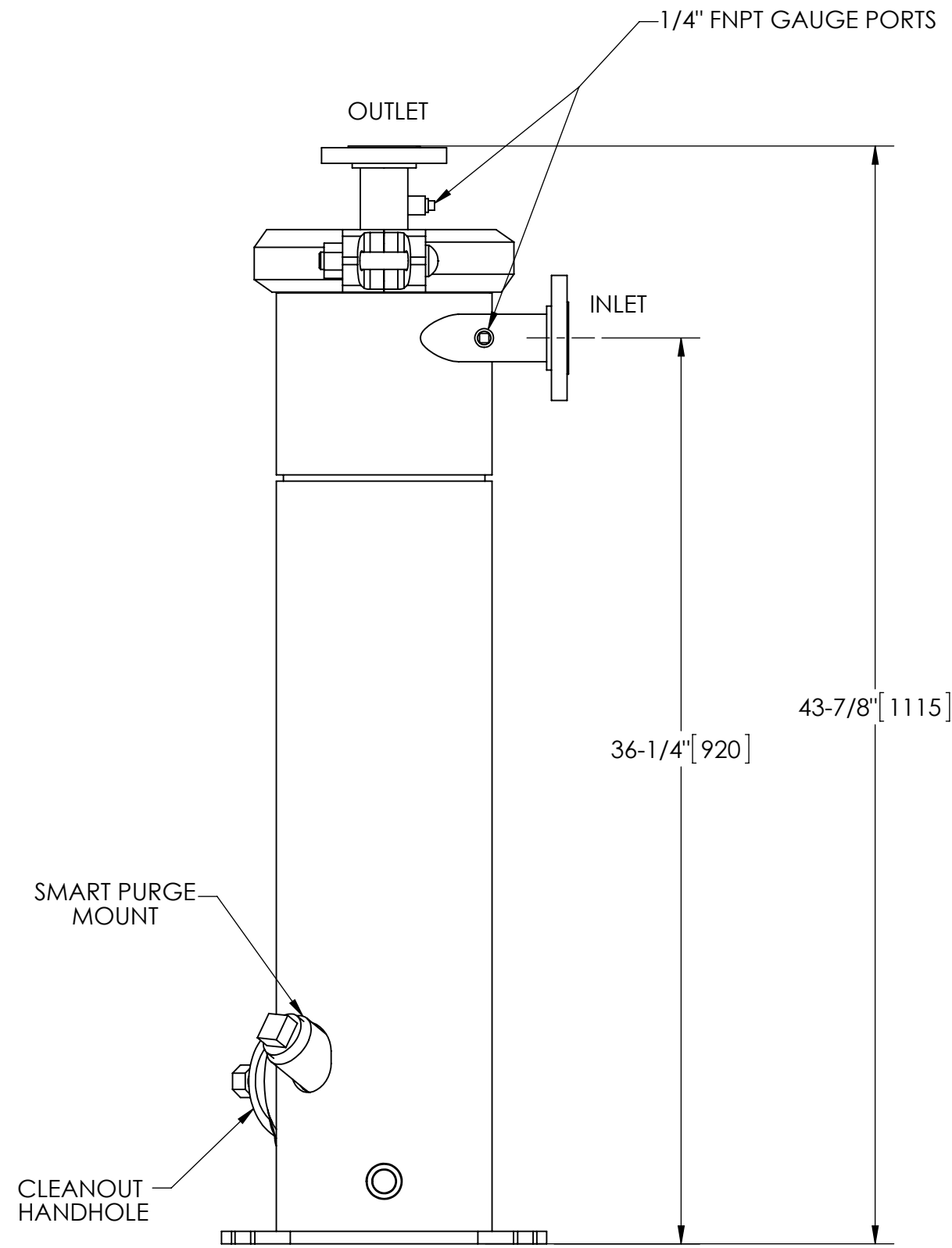
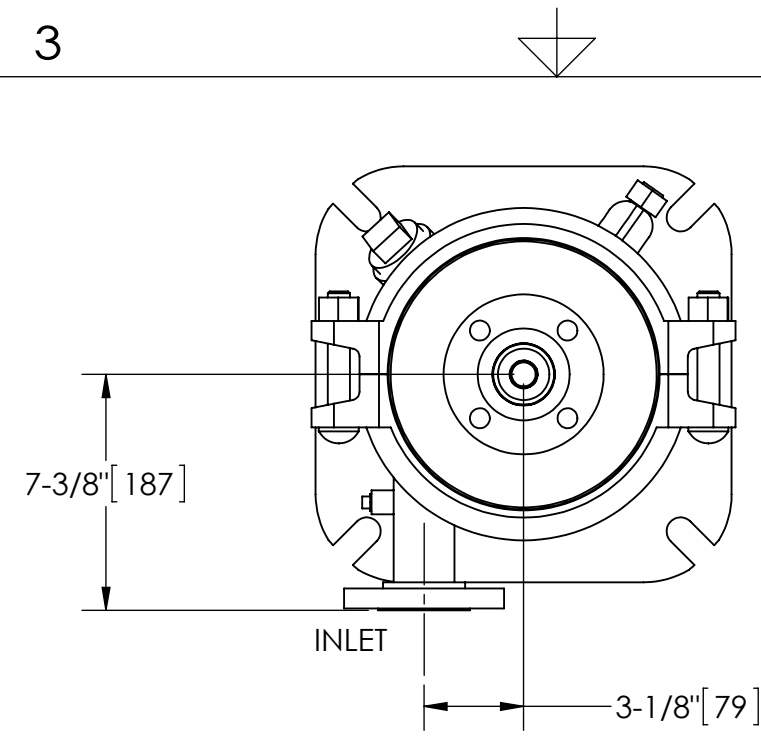
NOTES:

1. INLET & OUTLET FLANGES ARE 1-1/2" 150# RF PER ANSI B16.5 REQUIRING 4X Ø1/2" BOLTS (BOLTS AND GASKETS NOT INCLUDED).
2. MAXIMUM PRESSURE: 250 psi (17.2 bar).
3. MAXIMUM TEMPERATURE: 230°F (110°C).
4. PRESSURE LOSS: 5-18 psid (.34-1.24 bar) AT RATED FLOW.
5. RATED FLOW: 55-100 gpm (12.5-22.7 m³/hr).
6. APPROXIMATE DRY WEIGHT: 190 lb (84 kg).
7. FINISH: LAKOS BLUE (EXTERIOR ONLY).

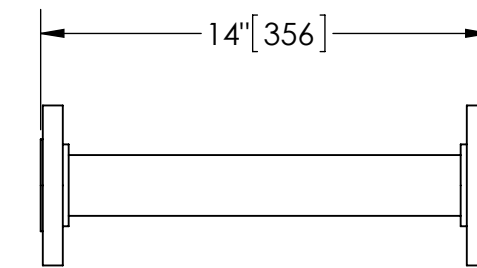
REVISION HISTORY				
ZONE	REV	DESCRIPTION	DATE	APPROVED

## SUBMITTAL DRAWING

This drawing is submitted for spatial consideration only. Do not pre-plumb to these dimensions.



**OPTIONAL SMART PURGE**  
UNIT SHOWN WITH OPTIONAL SMART PURGE SENSOR ASSEMBLY INSTALLED (ORDER SEPARATELY)



**OPTIONAL FLANGED SPOOL**  
MODEL FS-015 (ORDER SEPARATELY)  
REQUIRED FOR REMOVAL OF TOP ASSEMBLY

THIS DRAWING HAS BEEN GENERATED AND IS MAINTAINED BY A CAD SYSTEM. CHANGES SHALL ONLY BE INCORPORATED AS DIRECTED BY AN APPROVED ENGINEERING CHANGE ORDER (ECO). PAPER COPIES ARE UNCONTROLLED.

UNLESS OTHERWISE SPECIFIED: DIMENSIONS ARE IN: INCHES (mm) TOLERANCES ARE: FRACTIONS DECIMALS ANGLES ± 1/2" .XX ± .01 ± 1/4" XXX ± .005 XXXX ± .0005		ENGINEERED FOR: <b>STANDARD</b>		<b>LAKOS.</b> CLAUDE LAVAL CORP. FRESNO, CALIFORNIA 93727 WWW.LAKOS.COM	
DO NOT SCALE DRAWING	APPROVALS	DATE	TITLE		
MATERIAL CLASS P-1 MILD CARBON STEEL	DRAWN Cag	9/30/14	eJPX-0055-V, SEPARATOR 0055 eJPX VERTICAL, CARBON STEEL		
FINISH LAKOS BLUE	ENGR -	-	SIZE C	MODEL NO.	DWG NO. 137159
	MFG -	-	SCALE 1:6	EST. WT. 190 lb	REV. 01
	WORK ORDER	QTY.		SHEET 1 OF 1	